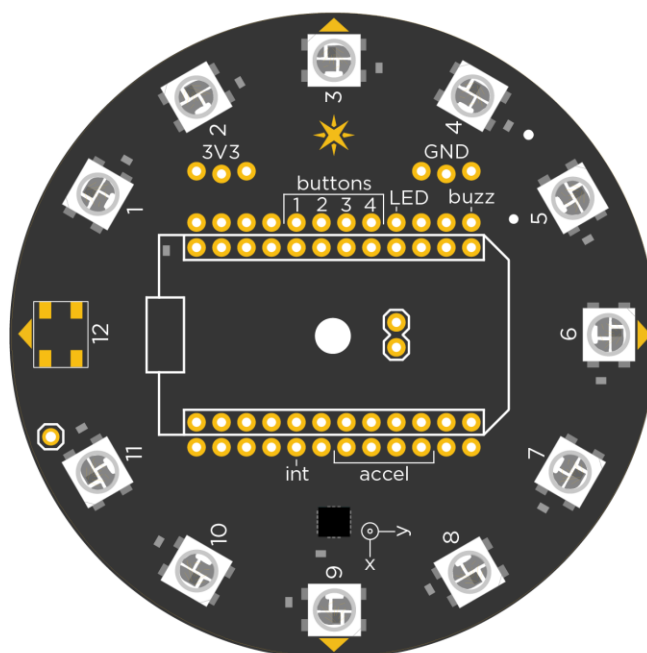


# Internet Button

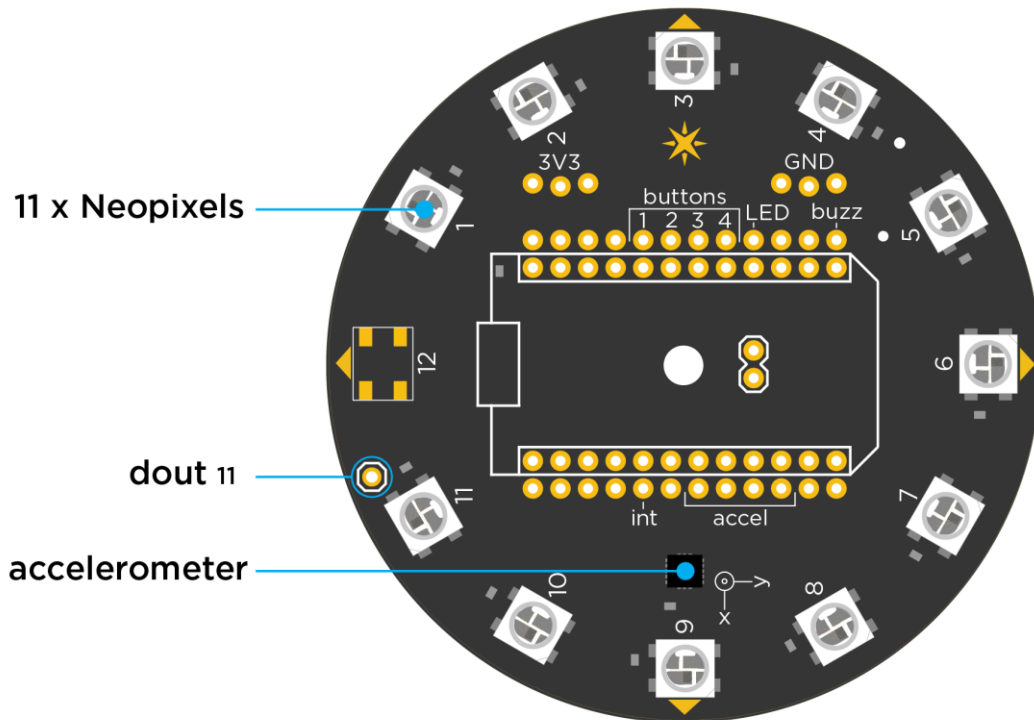
The Internet Button is not only an easy way to get started on the Internet of Things, it's also a clean and simple way to start building your own prototypes. Quickly start playing with LEDs, multiple buttons, an accelerometer and more without any wires or soldering.

**NOTE:** There is a known issue with the current release of the Internet Button. On the PCB, the silkscreen labels are incorrect. The correct mapping is, from **right to left**, "1-2-3-4", *not* "4-3-2-1" as annotated on the PCB. For super double extra clarity, please see the following pin mapping label table:

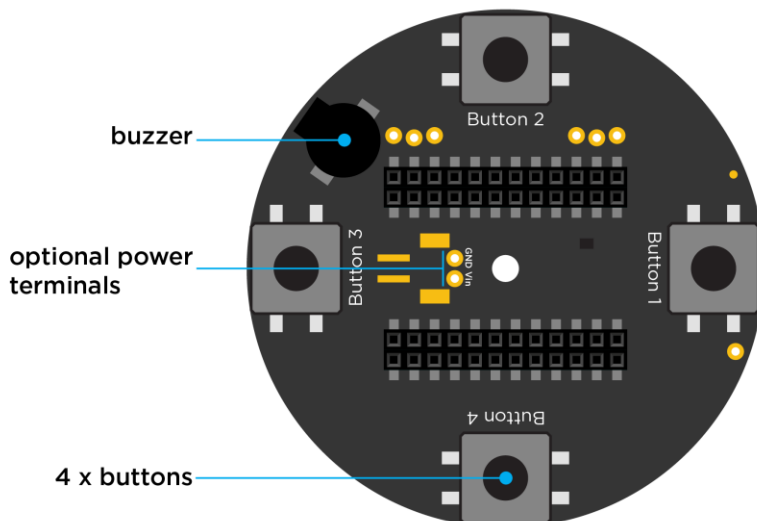
Photon Pin	Correct Mapping	Incorrect Mapping
D4	Button 1	Button 4
D5	Button 2	Button 3
D6	Button 3	Button 2
D7	Button 4	Button 1



## Internet Button - Top



## Internet Button - Bottom



## Internet Button - Specifications

- Operating voltage: USB or External DC of 3.6 to 6VDC
- Dimensions: 2.6" x 2.6"
- 11 individually controllable RGB LEDs
- ADXL362 3-axis accelerometer
- 4 tactile buttons for D-pad style interactions
- Female socket for connection to a Particle device
- Additional female headers for adding extra actuators and sensors
- Backward compatible with the Core



