

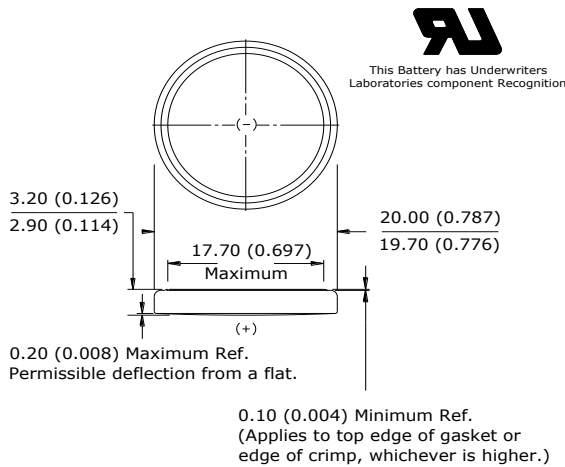
ENERGIZER CR2032

Lithium Coin



Industry Standard Dimensions

mm (inches)



Specifications

Classification:	"Lithium Coin"
Chemical System:	Lithium / Manganese Dioxide (Li/MnO ₂)
Designation:	ANSI / NEDA-5004LC, IEC-CR2032
Nominal Voltage:	3.0 Volts
Typical Capacity:	240 mAh (to 2.0 volts) (Rated at 15K ohms at 21°C)
Typical Weight:	3.0 grams (0.10 oz.)
Typical Volume:	1.0 cubic centimeters (0.06 cubic inch)
Typical IR:	10,000 - 40,000 mΩ
Max Rev Charge:	1 microampere
Energy Density:	198 milliwatt hr/g, 653 milliwatt hr/cc
Typical Li Content:	0.109 grams (0.0038 oz.)
UL Recognized:	MH29980
Operating Temp:	-30C to 60C
Self Discharge:	~1% / year

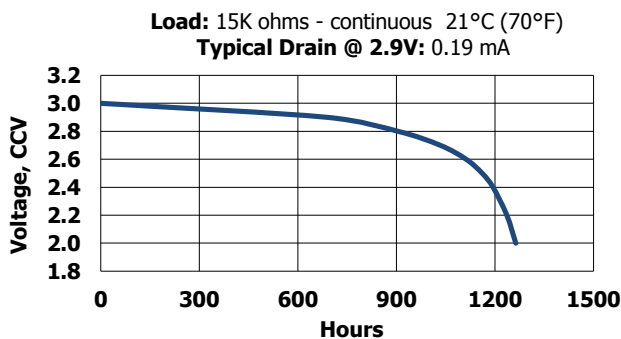
Safety:



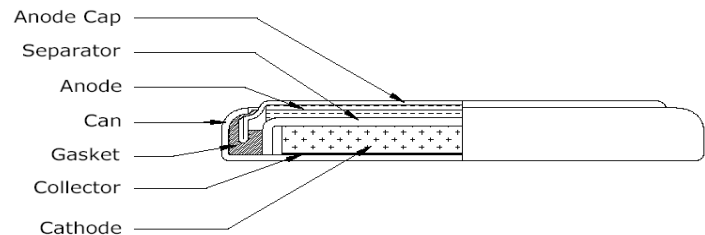
(1) KEEP OUT OF REACH OF CHILDREN. Swallowing may lead to serious injury or death in as little as 2 hours due to chemical burns and potential perforation of the esophagus. **Immediately see doctor; have doctor phone (202) 625-3333.**

(2) Battery compartment design. To prevent children from removing batteries, battery compartments should be designed with one of the following methods: a) a tool such as screwdriver or coin is required to open battery compartment or b) the battery compartment door/cover requires the application of a minimum of two independent and simultaneous movements of the securing mechanism to open by hand. Screws should remain captive with the battery door or cover.

Continuous Discharge Characteristics



Cross Section



Simulated Application test

Typical Performance at 21°C (70°F)

Schedule:	Typical Drains: at 2.9V (mA)	Load (ohms)	Cutoff 2.0V (hours)
Continuous	0.19	15,000	1263

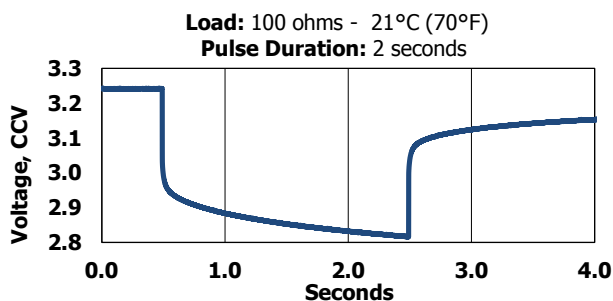
Important Notice

This datasheet contains typical information specific to products manufactured at the time of its publication.
©Energizer Holdings, Inc. - Contents herein do not constitute a warranty.

ENERGIZER CR2032

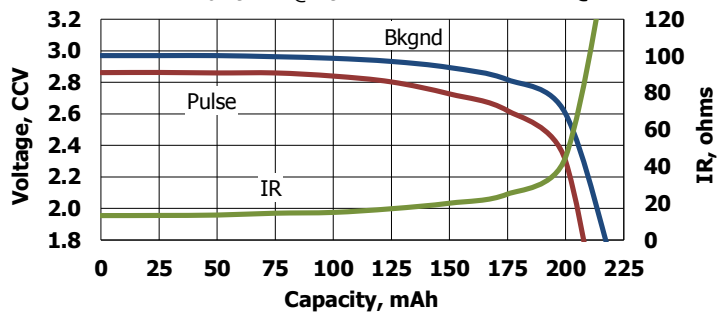
Lithium Coin

Pulse Characteristics

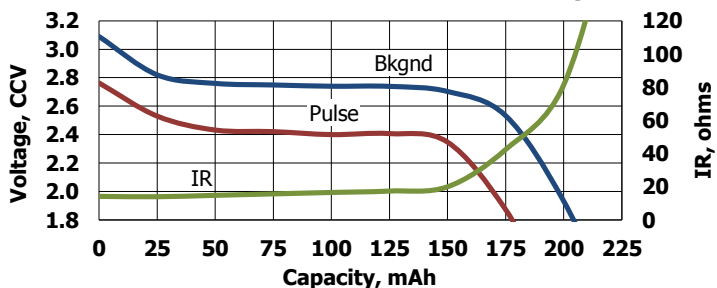


Pulse Discharge Characteristics

Bkgnd Drain: Continuous 21°C (70°F) 15K ohms
0.19 mA @2.9V
Pulse Drain: 2 seconds X 12 times/day
400 ohms
~6.8 mA @2.7V



Bkgnd Drain: None 21°C (70°F)
Pulse Drain: 1mSec ON / 14mSec OFF
120 ohms
~23 mA @2.7V



Important Notice

This datasheet contains typical information specific to products manufactured at the time of its publication.
©Energizer Holdings, Inc. - Contents herein do not constitute a warranty.