



MID400 AC Line Monitor Logic-Out Device

Features

- Direct operation from any line voltage with the use of an external resistor.
- Externally adjustable time delay
- Externally adjustable AC voltage sensing level
- High voltage isolation between input and output
- Compact plastic DIP package
- Logic level compatibility
- UL recognized (File #E90700)
- VDE recognized (file #102915), – add option V (e.g., MID400V)

Applications

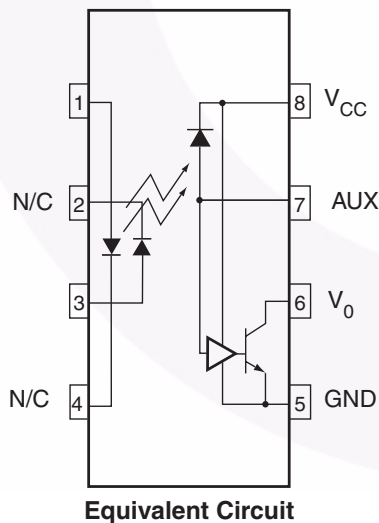
- Monitoring of the AC/DC “line-down” condition
- “Closed-loop” interface between electromechanical elements such as solenoids, relay contacts, small motors, and microprocessors
- Time delay isolation switch

Description

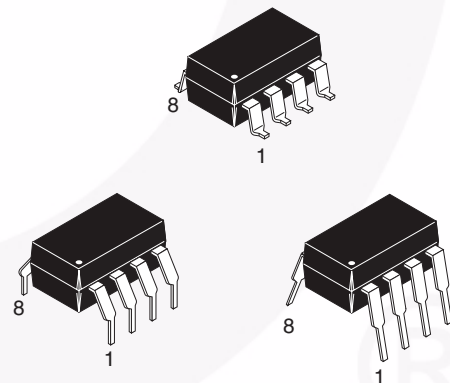
The MID400 is an optically isolated AC line-to-logic interface device. It is packaged in an 8-lead plastic DIP. The AC line voltage is monitored by two back-to-back GaAs LED diodes in series with an external resistor. A high gain detector circuit senses the LED current and drives the output gate to a logic low condition.

The MID400 has been designed solely for the use as an **AC line monitor**. It is recommended for use in any AC-to-DC control application where excellent optical isolation, solid state reliability, TTL compatibility, small size, low power, and low frequency operations are required.

Schematic



Package Outlines



Absolute Maximum Ratings

Stresses exceeding the absolute maximum ratings may damage the device. The device may not function or be operable above the recommended operating conditions and stressing the parts to these levels is not recommended. In addition, extended exposure to stresses above the recommended operating conditions may affect device reliability. The absolute maximum ratings are stress ratings only.

| Symbol | Parameter | Value | Unit |
|---------------------|---|----------------|-------|
| TOTAL DEVICE | | | |
| T_{STG} | Storage Temperature | -55 to +125 | °C |
| T_{OPR} | Operating Temperature | -40 to +85 | °C |
| T_{SOL} | Lead Solder Temperature | 260 for 10 sec | °C |
| P_D | Total Device Power Dissipation @ $T_A = 25^\circ\text{C}$ | 115 | mW |
| | Derate above 70°C | 4.0 | mW/°C |
| | Steady State Isolation | 2500 | VRMS |
| EMITTER | | | |
| | RMS Current | 25 | mA |
| | DC Current | ±30 | mA |
| P_D | LED Power Dissipation @ $T_A = 25^\circ\text{C}$ | 45 | mW |
| | Derate above 70°C | 2.0 | mW/°C |
| DETECTOR | | | |
| I_{OL} | Low Level Output Current | 20 | mA |
| V_{OH} | High Level Output Voltage | 7.0 | V |
| V_{CC} | Supply Voltage | 7.0 | V |
| P_D | Detector Power Dissipation @ $T_A = 25^\circ\text{C}$ | 70 | mW |
| | Derate above 70°C | 2.0 | mW/°C |

Electrical Characteristics

(0°C to 70°C Free Air Temperature unless otherwise specified-All typical values are at 25°C)

Individual Component Characteristics

| Symbol | Parameter | Test Conditions | Min. | Typ. | Max. | Unit |
|-----------------|----------------------------------|---|------|------|------|------|
| EMITTER | | | | | | |
| V_F | Input Forward Voltage | $I_F = \pm 30$ mA, DC | | | 1.5 | V |
| DETECTOR | | | | | | |
| I_{CCL} | Logic Low Output Supply Current | $I_{IN} = 4.0$ mA RMS, $V_O = \text{Open}$, $V_{CC} = 5.5$ V, 24V $V_{I(ON)}$, RMS ≤ 240 V | | | 3.0 | mA |
| I_{CCH} | Logic High Output Supply Current | $I_{IN} = 0.15$ mA RMS, $V_{CC} = 5.5$ V, $V_{I(OFF)}$, RMS ≥ 5.5 V | | | 0.80 | mA |

Transfer Characteristics

| Symbol | DC Characteristics | Test Conditions | Min. | Typ. | Max. | Units |
|------------------|-----------------------------|--|------|------|------|---------|
| V_{OL} | Logic Low Output Current | $I_{IN} = I_{I(ON)}$ RMS, $I_O = 16$ mA, $V_{CC} = 4.5$ V, 24V $\leq V_{I(ON)}$, RMS ≤ 240 V | | 0.18 | 0.40 | V |
| I_{OH} | Logic High Output Current | $I_{IN} = 0.15$ mA RMS, $V_O = V_{CC} = 5.5$ V, $V_{I(OFF)}$, RMS ≥ 5.5 V | | 0.02 | 100 | μ A |
| $V_{I(ON)}$ RMS | On-state RMS Input Voltage | $V_O = 0.4$ V, $I_O = 16$ mA, $V_{CC} = 4.5$ V, $R_{IN} = 22$ k Ω | 90 | | | V |
| $V_{I(OFF)}$ RMS | Off-state RMS Input Voltage | $V_O = V_{CC} = 5.5$ V, $I_O \leq 100$ μ A, $R_{IN} = 22$ k Ω | | | 5.5 | V |
| $I_{I(ON)}$ RMS | On-state RMS Input Current | $V_O = 0.4$ V, $I_O = 16$ mA, $V_{CC} = 4.5$ V, 24V $\leq V_{I(ON)}$, RMS ≤ 240 V | 4.0 | | | mA |
| $I_{I(OFF)}$ RMS | Off-state RMS Input Current | $V_O = V_{CC} = 5.5$ V, $I_O \leq 100$ μ A, $V_{I(OFF)}$, RMS ≥ 5.5 V | | | 0.15 | mA |

Transfer Characteristics

| Symbol | Characteristics | Test Conditions | Min. | Typ. | Max. | Units |
|---|-----------------|--|------|------|------|-------|
| SWITCHING TIME ($T_A = 25^\circ\text{C}$) | | | | | | |
| t_{ON} | Turn-On Time | $I_{IN} = 4.0$ mA RMS, $I_O = 16$ mA, $V_{CC} = 4.5$ V, $R_{IN} = 22$ k Ω (See Test Circuit 2) | | 1.0 | | ms |
| t_{OFF} | Turn-Off Time | $I_{IN} = 4.0$ mA RMS, $I_O = 16$ mA, $V_{CC} = 4.5$ V, $R_{IN} = 22$ k Ω (See Test Circuit 2) | | 1.0 | | ms |

(RMS = True RMS Voltage at 60 Hz, THD $\leq 1\%$)

Isolation Characteristics ($T_A = 25^\circ\text{C}$)

| Symbol | Characteristics | Test Conditions | Min. | Typ. | Max. | Units |
|-----------|--------------------------------|---|-----------|------|------|----------|
| V_{ISO} | Steady State Isolation Voltage | Relative Humidity $\leq 50\%$, $I_{I-O} \leq 10$ μ A, 1 Minute, 60Hz | 2500 | | | VRMS |
| R_{ISO} | Isolation Resistance | $V_{I-O} = 500$ VDC | 10^{11} | | | Ω |
| C_{ISO} | Isolation Capacitance | $f = 1$ MHz | | | 2 | pF |

Description/Applications

The input of the MID400 consists of two back-to-back LED diodes which will accept and convert alternating currents into light energy. An integrated photo diode-detector amplifier forms the output network. Optical coupling between input and output provides 2500 VRMS voltage isolation. A very high current transfer ratio (defined as the ratio of the DC output current and the DC input current) is achieved through the use of high gain amplifier. The detector amplifier circuitry operates from a 5V DC supply and drives an open collector transistor output. The switching times are intentionally designed to be slow in order to enable the MID400, when used as an AC line monitor, to respond only to changes in input voltage exceeding many milliseconds. The short period of time during zero-crossing which occurs once every half cycle of the power line is completely ignored. To operate the MID400, always add a resistor, R_{IN} , in series with the input (as shown in test circuit 1) to limit the current to the required value. The value of the resistor can be determined by the following equation:

$$R_{IN} = \frac{V_{IN} - V_F}{I_{IN}}$$

Where,

V_{IN} (RMS) is the input voltage.

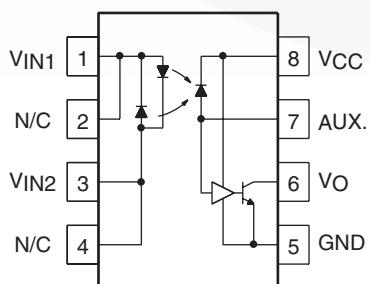
V_F is the forward voltage drop across the LED.

I_{IN} (RMS) is the desired input current required to sustain a logic "O" on the output.

Pin Description

| Pin Number | Pin Name | Function |
|------------|--------------------|--|
| 1, 3 | V_{IN1}, V_{IN2} | Input terminals |
| 2, 4 | N/C | No Connect |
| 8 | V_{CC} | Supply voltage, output circuit. |
| 7 | AUX | Auxiliary terminal. Programmable capacitor input to adjust AC voltage sensing level and time delay. |
| 6 | V_O | Output terminal; open collector. |
| 5 | GND | Circuit ground potential. |

Schematic Diagram



Glossary

VOLTAGES

$V_{I(ON)}$ RMS On-State RMS Input Voltage

The RMS voltage at an input terminal for a specified input current with output conditions applied that according to the product specification will cause the output switching element to be sustained in the on-state within one full cycle.

$V_{I(OFF)}$ RMS Off-State RMS Input Voltage

The RMS voltage at an input terminal for a specified input current with output conditions applied that according to the product specification will cause the output switching element to be sustained in the off-state within one full cycle.

V_{OL} Low-Level Output Voltage

The voltage at an output terminal for a specific output current I_{OL} , with input conditions applied that according to the product specification will establish a low-level at the output.

V_{OH} High-Level Output Voltage

The voltage at an output terminal for a specific output current I_{OH} , with input conditions applied that according to the product specification will establish a high-level at the output.

V_F LED Forward Voltage

The voltage developed across the LED when input current I_F is applied to the anode of the LED.

CURRENTS

$I_{I(ON)}$ RMS On-State RMS Input Current

The RMS current flowing into an input with output conditions applied that according to the product specification will cause the output switching element to be sustained in the on-state within one full cycle.

$I_{I(OFF)}$ RMS Off-state RMS Input Current

The RMS current flowing into an input with output conditions applied that according to the product specification will cause the output switching element to be sustained in the off-state within one full cycle.

I_{OH} High-Level Output Current

The current flowing into * an output with input conditions applied that according to the product specification will establish a high-level at the output.

*Current flowing out of a terminal is a negative value.

I_{OL} **Low-Level Output Current**
 The current flowing into * an output with input conditions applied that according to the product specification will establish a low-level at the output.

I_{CCL} **Supply Current, Output LOW**
 The current flowing into * the V_{CC} supply terminal of a circuit when the output is at a low-level voltage.

I_{CCH} **Supply Current, Output HIGH**
 The current flowing into * the V_{CC} supply terminal of a circuit when the output is at a high-level voltage.

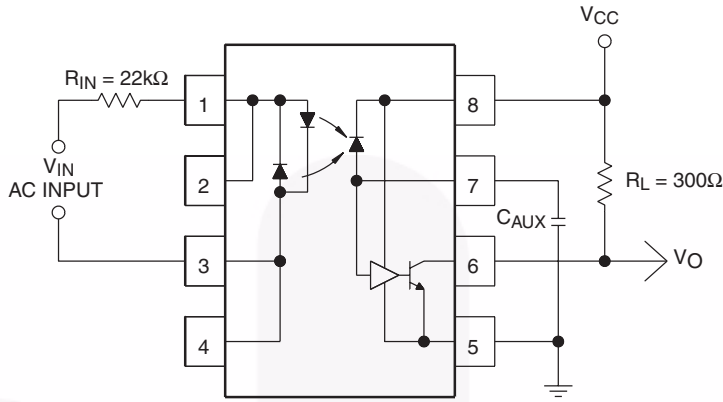
* Current flowing out of a terminal is a negative value.

DYNAMIC CHARACTERISTICS

t_{ON} **Turn-On Time**
 The time between the specified reference points on the input and the output voltage waveforms with the output changing from the defined high-level to the defined low-level.

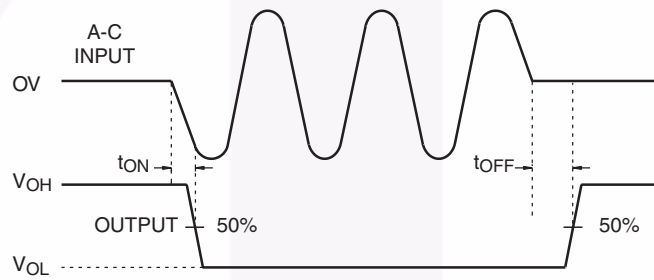
t_{OFF} **Turn-Off time**
 The time between the specified reference points on the input and the output voltage waveforms with the output changing from the defined low-level to the defined high-level.

Operating Schematics

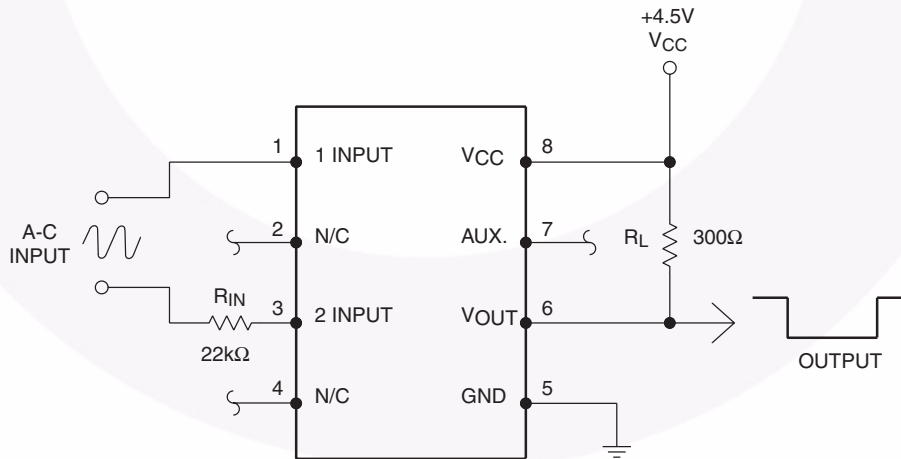


INPUT CURRENT VS. CAPACITANCE, CAUX CIRCUIT

TEST CIRCUIT 1



* INPUT TURNS ON AND OFF AT ZERO CROSSING



TEST CIRCUIT

TEST CIRCUIT 2
MID400 Switching Time

Typical Performance Curves

Fig. 1 Input Voltage vs. Input Resistance

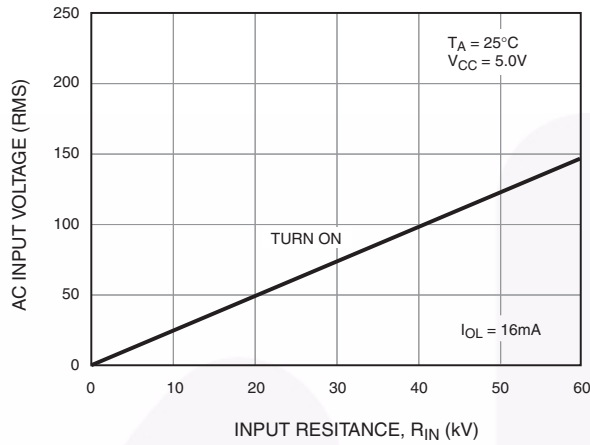


Fig. 2 Input Voltage vs. Input Resistance

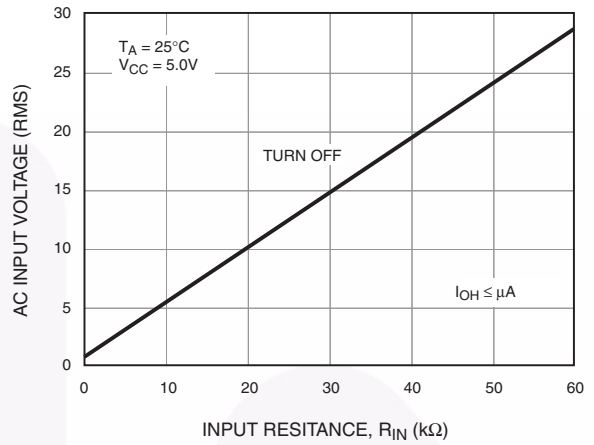


Fig. 3 Supply Current vs. Supply Voltage

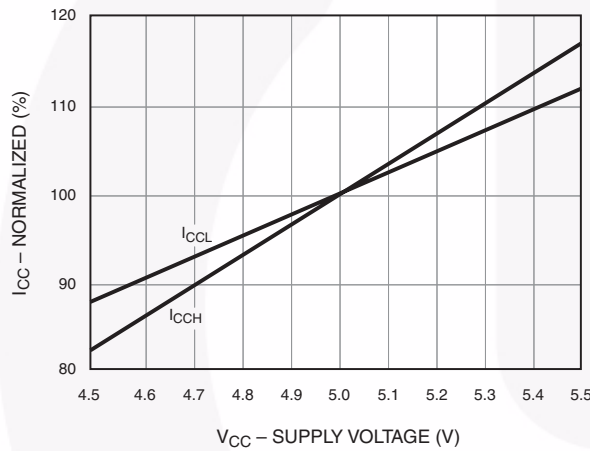


Fig. 4 Input Current vs. Capacitance

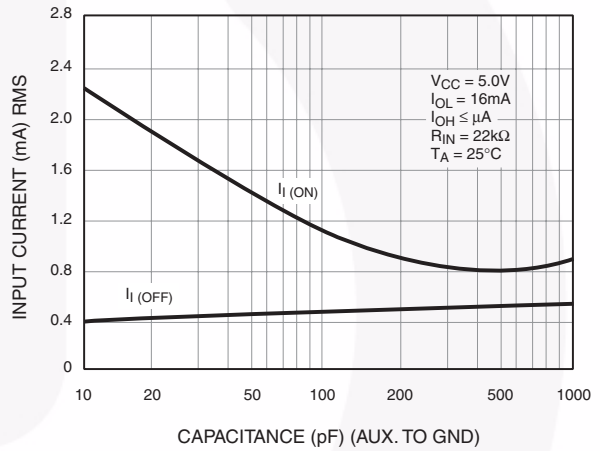
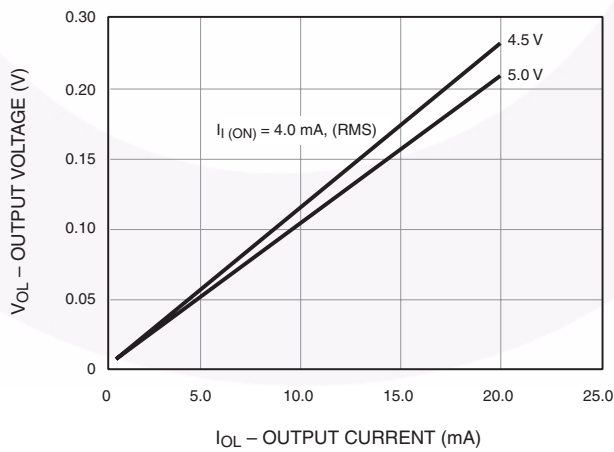


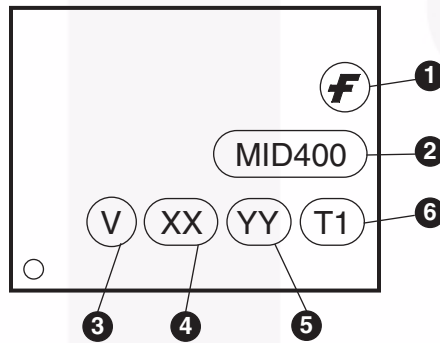
Fig. 5 Output Voltage vs. Output Current



Ordering Information

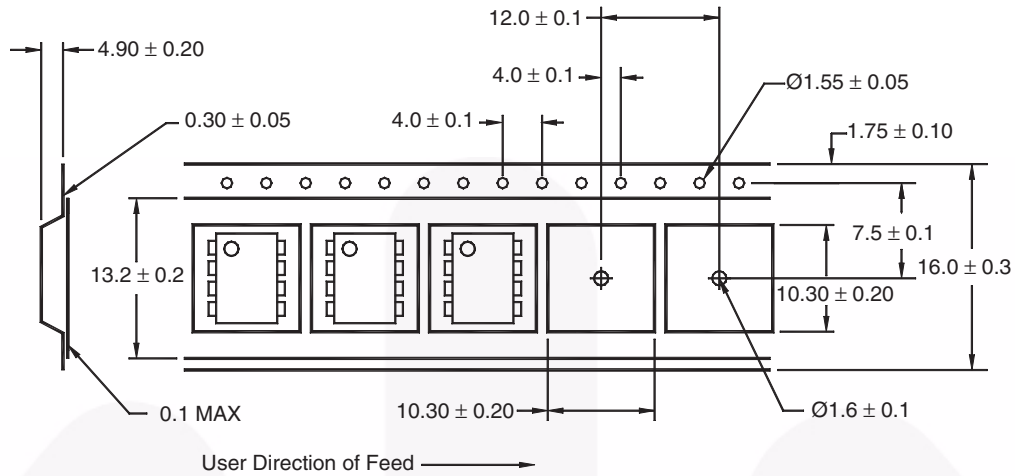
| Option | Example Part Number | Description |
|-----------|---------------------|---------------------------------------|
| No Option | MID400 | Standard Through Hole |
| S | MID400S | Surface Mount Lead Bend |
| SD | MID400SD | Surface Mount; Tape and reel |
| V | MID400V | VDE0884 |
| WV | MID400WV | VDE0884; 0.4" Lead Spacing |
| SV | MID400SV | VDE0884; Surface Mount |
| SDV | MID400SDV | VDE0884; Surface Mount; Tape and Reel |

Marking Information



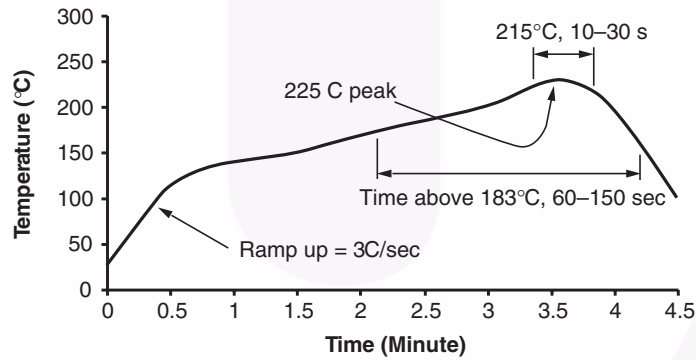
| Definitions | |
|-------------|--|
| 1 | Fairchild logo |
| 2 | Device number |
| 3 | VDE mark (Note: Only appears on parts ordered with VDE option – See order entry table) |
| 4 | Two digit year code, e.g., '03' |
| 5 | Two digit work week ranging from '01' to '53' |
| 6 | Assembly package code |

Carrier Tape Specifications (“D” Taping Orientation)

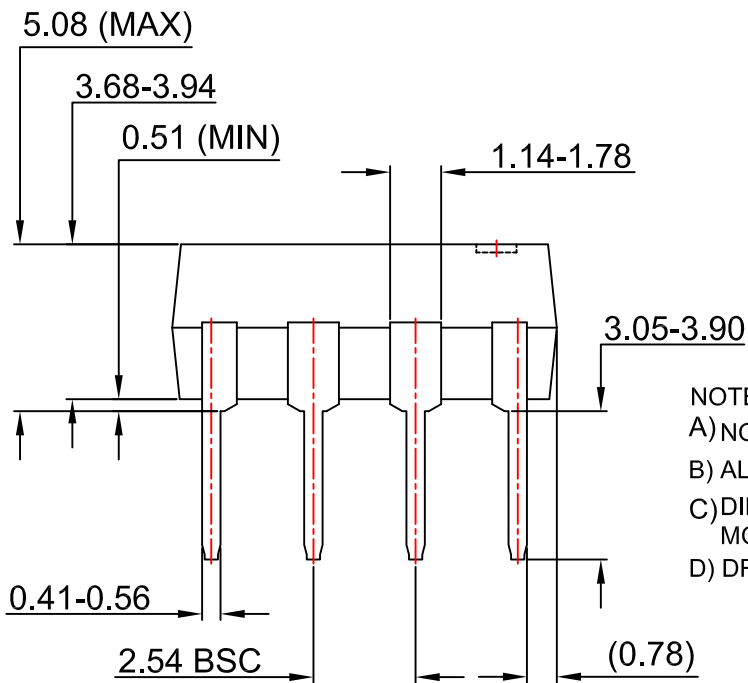
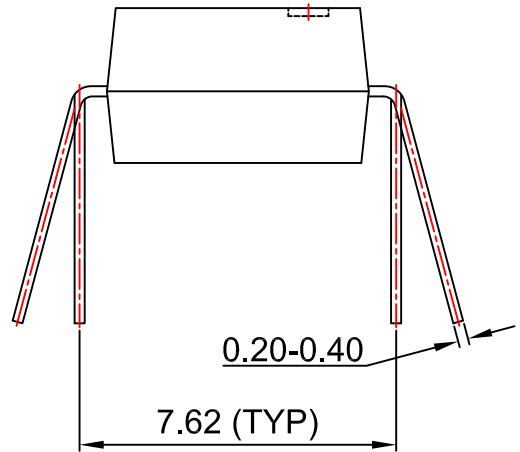
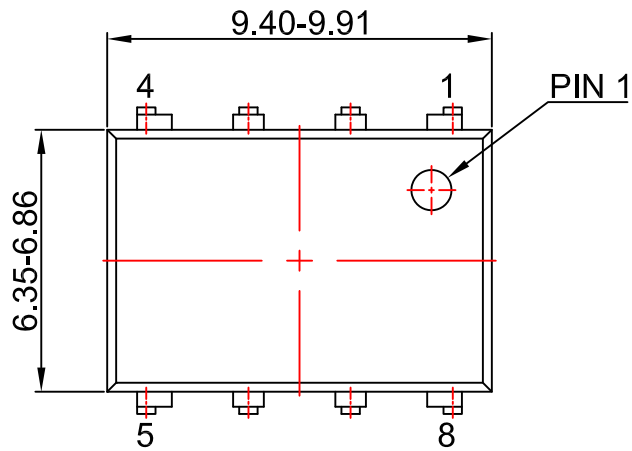


Note:
All dimensions are in inches (millimeters)

Reflow Profile

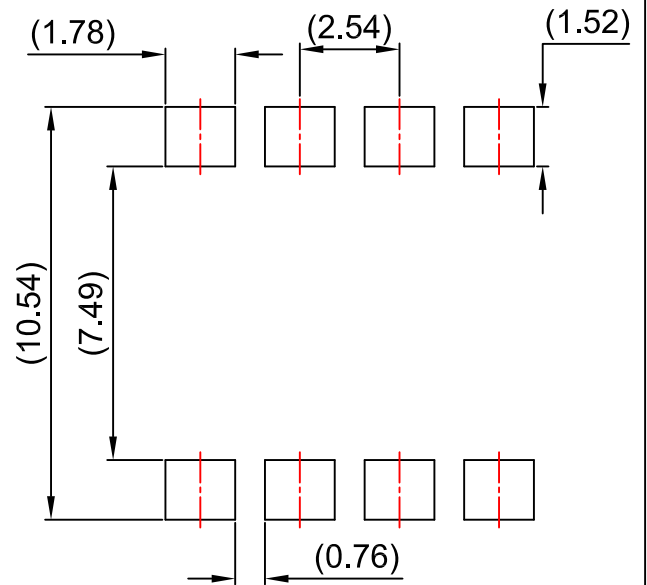
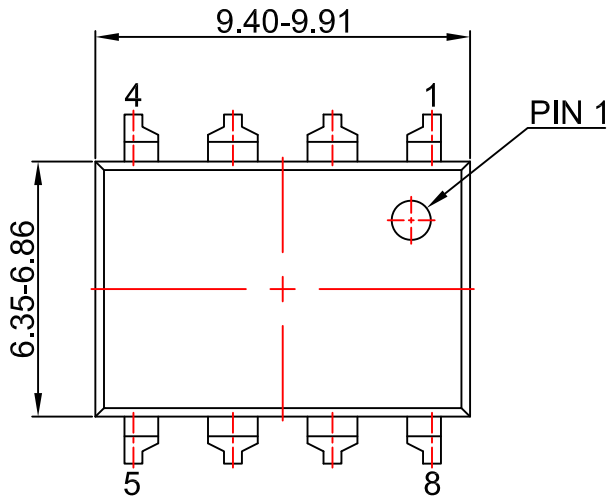


- Peak reflow temperature: 225°C (package surface temperature)
- Time of temperature higher than 183°C for 60–150 seconds
- One time soldering reflow is recommended

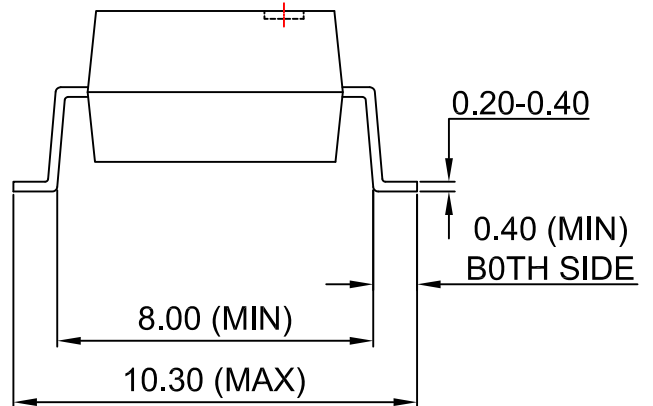
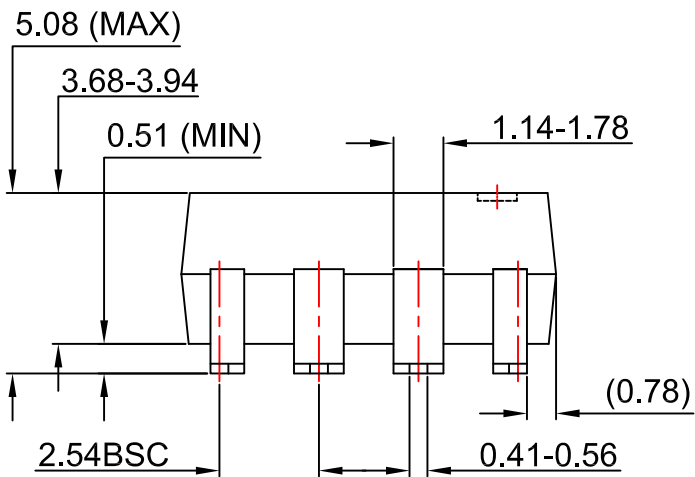


- NOTES:
- A) NO STANDARD APPLIES TO THIS PACKAGE
 - B) ALL DIMENSIONS ARE IN MILLIMETERS.
 - C) DIMENSIONS ARE EXCLUSIVE OF BURRS, MOLD FLASH, AND TIE BAR EXTRUSION
 - D) DRAWING FILENAME AND REVISION: MKT-N08GREV7





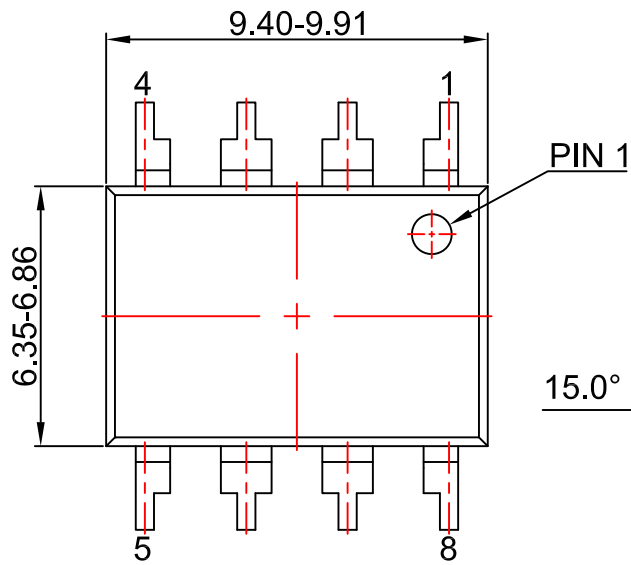
LAND PATTERN RECOMMENDATION



NOTES:

- A) NO STANDARD APPLIES TO THIS PACKAGE
- B) ALL DIMENSIONS ARE IN MILLIMETERS.
- C) DIMENSIONS ARE EXCLUSIVE OF BURRS, MOLD FLASH, AND TIE BAR EXTRUSION
- D) DRAWING FILENAME AND REVISION: MKT-N08Hrev7.



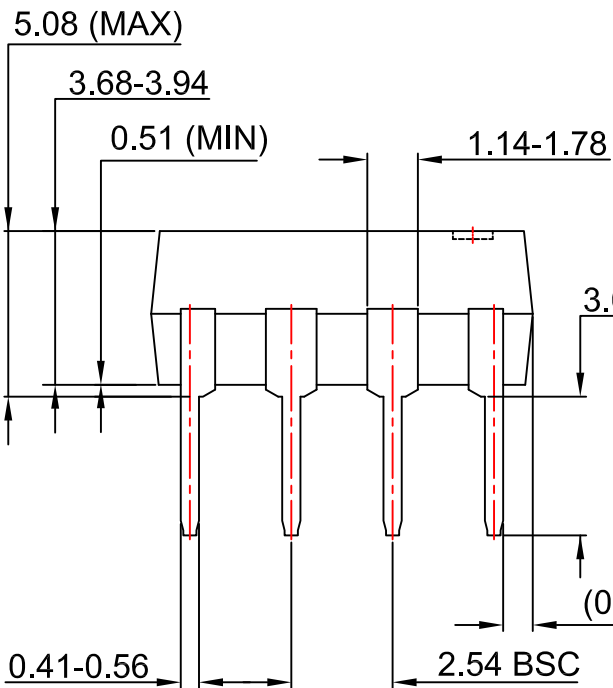


PIN 1

15.0° (MAX)

10.16 (TYP)

0.20-0.40



NOTES:

- A) NO STANDARD APPLIES TO THIS PACKAGE
- B) ALL DIMENSIONS ARE IN MILLIMETERS.
- C) DIMENSIONS ARE EXCLUSIVE OF BURRS, MOLD FLASH, AND TIE BAR EXTRUSION
- D) DRAWING FILENAME AND REVISION: MKT-N08REV7





TRADEMARKS

The following includes registered and unregistered trademarks and service marks, owned by Fairchild Semiconductor and/or its global subsidiaries, and is not intended to be an exhaustive list of all such trademarks.

- | | | | |
|--------------------------|--|---------------------------------------|------------------|
| AccuPower™ | F-PFS™ | OPTOPLANAR® | SYSTEM GENERAL® |
| AttitudeEngine™ | FRFET® | Power Supply WebDesigner™ | TinyBoost® |
| Awinda® | Global Power Resource SM | PowerTrench® | TinyBuck® |
| AX-CAP®* | GreenBridge™ | PowerXS™ | TinyCalc™ |
| BitSiC™ | Green FPS™ | Programmable Active Droop™ | TinyLogic® |
| Build it Now™ | Green FPS™ e-Series™ | QFET® | TINYOPTO™ |
| CorePLUS™ | Gmax™ | QS™ | TinyPower™ |
| CorePOWER™ | GTO™ | Quiet Series™ | TinyPWM™ |
| CROSSVOL™ | IntelliMAX™ | RapidConfigure™ | TinyWire™ |
| CTL™ | ISOPLANAR™ | Saving our world, 1mW/W/kW at a time™ | TranSiC™ |
| Current Transfer Logic™ | Making Small Speakers Sound Louder and Better™ | SignalWise™ | TriFault Detect™ |
| DEUXPEED® | MegaBuck™ | SmartMax™ | TRUECURRENT®* |
| Dual Cool™ | MICROCOUPLER™ | SMART START™ | μSerDes™ |
| EcoSPARK® | MicroFET™ | Solutions for Your Success™ | UHC® |
| EfficientMax™ | MicroPak™ | SPM® | Ultra FRFET™ |
| ESBC™ | MicroPak2™ | STEALTH™ | UniFET™ |
| F [®] | MillerDrive™ | SuperFET® | Vcx™ |
| Fairchild® | MotionMax™ | SuperSOT™-3 | VisualMax™ |
| Fairchild Semiconductor® | MotionGrid® | SuperSOT™-6 | VoltagePlus™ |
| FACT Quiet Series™ | MTi® | SuperSOT™-8 | XST™ |
| FACT® | MTx® | SupreMOS® | Xsens™ |
| FastvCore™ | MVN® | SyncFET™ | 仙童™ |
| FETBench™ | mWSaver® | Sync-Lock™ | |
| FPS™ | OptoHiT™ | | |
| | OPTOLOGIC® | | |

* Trademarks of System General Corporation, used under license by Fairchild Semiconductor.

DISCLAIMER

FAIRCHILD SEMICONDUCTOR RESERVES THE RIGHT TO MAKE CHANGES WITHOUT FURTHER NOTICE TO ANY PRODUCTS HEREIN TO IMPROVE RELIABILITY, FUNCTION, OR DESIGN. TO OBTAIN THE LATEST, MOST UP-TO-DATE DATASHEET AND PRODUCT INFORMATION, VISIT OUR WEBSITE AT [HTTP://WWW.FAIRCHILDSEMI.COM](http://www.fairchildsemi.com). FAIRCHILD DOES NOT ASSUME ANY LIABILITY ARISING OUT OF THE APPLICATION OR USE OF ANY PRODUCT OR CIRCUIT DESCRIBED HEREIN; NEITHER DOES IT CONVEY ANY LICENSE UNDER ITS PATENT RIGHTS, NOR THE RIGHTS OF OTHERS. THESE SPECIFICATIONS DO NOT EXPAND THE TERMS OF FAIRCHILD'S WORLDWIDE TERMS AND CONDITIONS, SPECIFICALLY THE WARRANTY THEREIN, WHICH COVERS THESE PRODUCTS.

AUTHORIZED USE

Unless otherwise specified in this data sheet, this product is a standard commercial product and is not intended for use in applications that require extraordinary levels of quality and reliability. This product may not be used in the following applications, unless specifically approved in writing by a Fairchild officer: (1) automotive or other transportation, (2) military/aerospace, (3) any safety critical application – including life critical medical equipment – where the failure of the Fairchild product reasonably would be expected to result in personal injury, death or property damage. Customer's use of this product is subject to agreement of this Authorized Use policy. In the event of an unauthorized use of Fairchild's product, Fairchild accepts no liability in the event of product failure. In other respects, this product shall be subject to Fairchild's Worldwide Terms and Conditions of Sale, unless a separate agreement has been signed by both Parties.

ANTI-COUNTERFEITING POLICY

Fairchild Semiconductor Corporation's Anti-Counterfeiting Policy. Fairchild's Anti-Counterfeiting Policy is also stated on our external website, www.fairchildsemi.com, under Terms of Use

Counterfeiting of semiconductor parts is a growing problem in the industry. All manufacturers of semiconductor products are experiencing counterfeiting of their parts. Customers who inadvertently purchase counterfeit parts experience many problems such as loss of brand reputation, substandard performance, failed applications, and increased cost of production and manufacturing delays. Fairchild is taking strong measures to protect ourselves and our customers from the proliferation of counterfeit parts. Fairchild strongly encourages customers to purchase Fairchild parts either directly from Fairchild or from Authorized Fairchild Distributors who are listed by country on our web page cited above. Products customers buy either from Fairchild directly or from Authorized Fairchild Distributors are genuine parts, have full traceability, meet Fairchild's quality standards for handling and storage and provide access to Fairchild's full range of up-to-date technical and product information. Fairchild and our Authorized Distributors will stand behind all warranties and will appropriately address any warranty issues that may arise. Fairchild will not provide any warranty coverage or other assistance for parts bought from Unauthorized Sources. Fairchild is committed to combat this global problem and encourage our customers to do their part in stopping this practice by buying direct or from authorized distributors.

PRODUCT STATUS DEFINITIONS

Definition of Terms

| Datasheet Identification | Product Status | Definition |
|--------------------------|-----------------------|---|
| Advance Information | Formative / In Design | Datasheet contains the design specifications for product development. Specifications may change in any manner without notice. |
| Preliminary | First Production | Datasheet contains preliminary data; supplementary data will be published at a later date. Fairchild Semiconductor reserves the right to make changes at any time without notice to improve design. |
| No Identification Needed | Full Production | Datasheet contains final specifications. Fairchild Semiconductor reserves the right to make changes at any time without notice to improve the design. |
| Obsolete | Not In Production | Datasheet contains specifications on a product that is discontinued by Fairchild Semiconductor. The datasheet is for reference information only. |

Rev. I76