



Technical Data

13 Amp Socket Outlet with USB Charger

Item No: 822U

Brief product description:

Nexus Moulded Socket with USB charger capability ideal for charging iPad, iPhone, tablets, mobiles, cameras and more

Features:

- 2 gang switched socket with outboard rockers
- 2 x Type A USB sockets - 2.1A total output, 5V
- Stylish modern profile
- Covers to conceal fixing screws
- Colour coded terminals with backed out captive screws for easy installation
- Twin earth fitted as standard
- Ideal for retrofit, fits 25mm box
- USB charger stand-by power made when not in use

Product Images

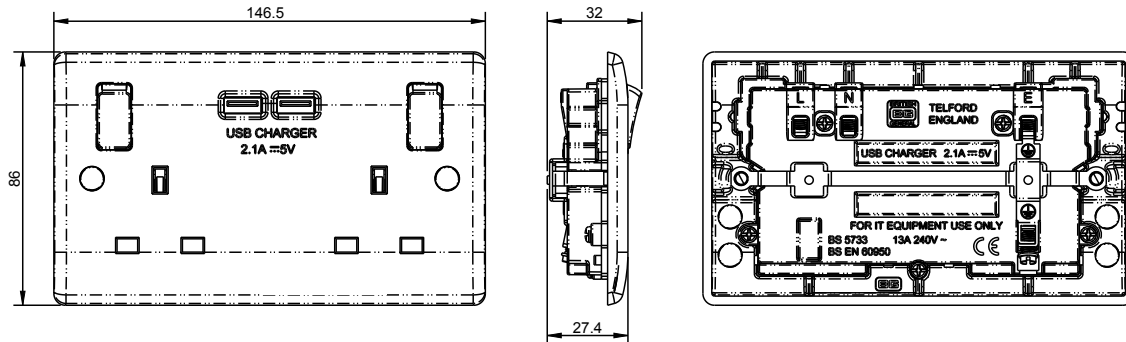


Technical Specifications

Standard(s)	BS 5733 BSEN 60950
Rating	13 Amp 240V~
Contact Gap	3.0mm minimum
Switch type	Single pole
Terminal Capacity - L & N	3 x 2.5mm ² 3 x 4mm ² 2 x 6.0mm ²
RoHS Directive	No
WEEE Directive	No
Mounting Box Depth (Min)	25mm
Fixing Centres	120.6mm
Size	146.5mm x 86mm x 35mm
USB Output	5V $\overline{\text{---}}$ 2.1A (output shared across two ports)
Output Tolerance	<5%
Stand-by Power	<50mW

13 Amp Socket Outlet with USB Charger

Line Diagrams



Installation Information

Safety Warning

Before use please read carefully and use in accordance with these safety wiring instructions.

Before commencing any electrical work ensure the supply is **switched off at the mains**. Either by switching off the consumer unit or by removing the appropriate fuse.

Wiring should be in accordance with the latest edition of the IEE regulations (BS 7671).

Wire Identification – Twin & Earth Cable

EARTH = Green/Yellow Sleaving

NEUTRAL = Black (pre Apr 04) / Blue (after Apr 04)

LIVE = Red (pre Apr 04) / Brown (after Apr 04)



Technical Helpline: 0845 194 7584

If in doubt consult a competent electrician.

The ends of the individual conductors should have the insulation removed by approx. 12mm. Any bare earth conductors should be sleeved to within 12mm of the ends. (These details are for general information only and conductor lengths may need to be trimmed in certain installations).

General Installation Instructions

- 1) If using the new product to replace an old one, note the cable connections and wire up new product in the same way as the old one, with Earthing as stated in these instructions.
- 2) Ensure the mounting box (metal or patress) for either flush or surface mounting is the appropriate size for the product.
- 3) Route the cable through the most suitable entry point of the mounting box. If a metal box is used, a protective cable grommet should be used.
- 4) Cables should be prepared so a sufficient conductor length reaches the terminals. Strip the ends of the individual conductors so that an adequate length enters the terminals.
- 5) Carefully arrange the wiring to lie along the edges of the product or box, keeping the central area clear.
- 6) To assist with the correct installation please consult the appropriate wiring diagram on this leaflet.
- 7) When connecting the new accessory ensure that only the bare end of the wire enters the terminal, and no bare wires are visible.

Always tighten the terminal screws securely, but do not overtighten.

An earth connection should always be made between the mounting box earth terminal, and the accessory earth terminal, where fitted. If this earth wire is bare, it is essential that it is sheathed with a length of green/yellow sleeving.

- 8) Carefully position the accessory into the wall box, ensuring that no wires are trapped between the plate and the wall. Do not overtighten the screws. (Fit screw covers + clip-on)
- 9) Once work has been completed correctly, replace the fuse for the circuit, switch the power back on, and test.

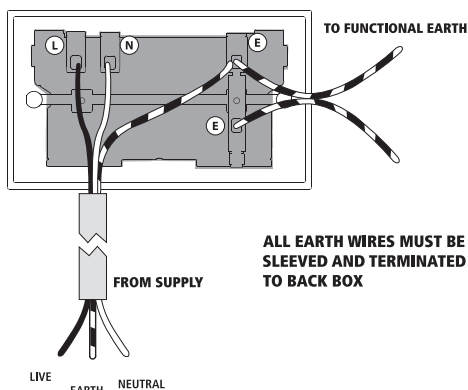
The product is now ready for use.

* Note - If your installation uses a four lug metal mounting box, remove the top and bottom lugs or bend fully back.

This socket is fitted with with two linked terminals to provide a dual earth facility. This is for use in "clean earth" installations where additional earth capacity is required to comply with Regulation 607 of BS7671 IEE Wiring Regulations. Connect the cables as shown in the diagram.

2 GANG 13 AMP SWITCHED SOCKET WITH USB CHARGER

Connect the cables as shown in the diagram.



USB CHARGER INFORMATION

Twin switched 13A socket with 2 x USB ports for charging mobile devices such as mobile phones, MP3 players and tablets.

2.1A 5V output from the USB outputs

- o Total charger output current is 2.1A. This can be delivered from one USB socket or divided between the two as required.
- o 2.1A is sufficient power output to charge the majority of USB products.
- o A device needing 1.5A would leave the other port at 0.6A, so devices may charge more slowly than with a normal single plug charger.
- o The total output current achieved is dictated by the specific device being charged and other external factors, such as the quality of charging cable being used.
- o Overload protection for connected devices.

Low energy stand-by mode

- o When not in use the USB sockets are in a low energy stand-by mode.

The USB circuits on this socket are designed to withstand insulation resistance tests at 500V. A reading of 0.4mΩ +/-0.05 is typically caused by the USB sockets.

Note – The front surface of this product may become warm in use. This is normal and not cause for concern.