

19" chassis - *inpac*

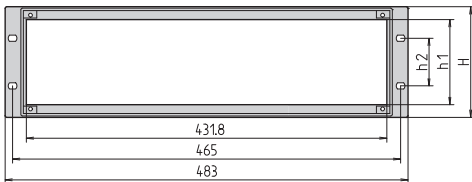
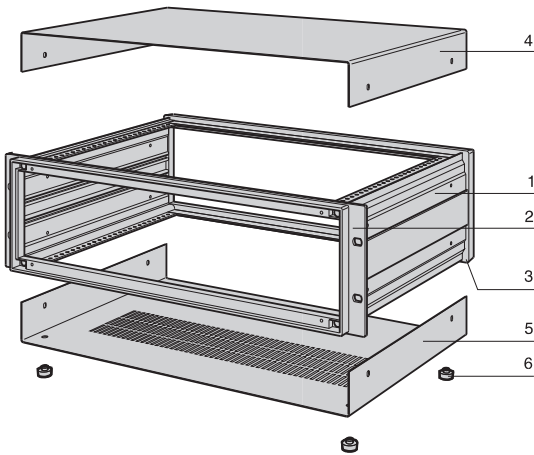
19" chassis



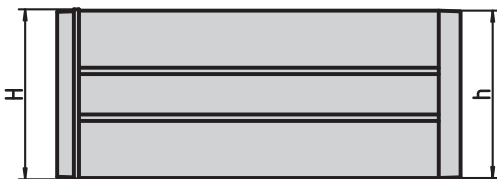
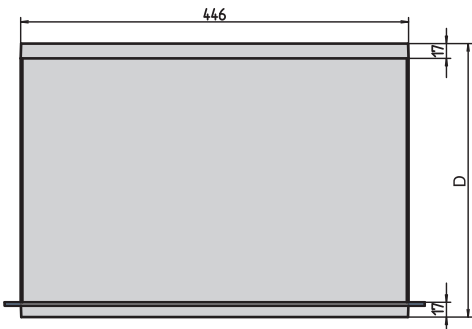
- For assembly with 19" components or individually with mounting plates
- Three rows ventilation slots in base for air inlet

Delivery comprises (Kit)

Item	Qty	Description
1	2	Side panel, Al extrusion, RAL 7030, at 6 U: 2 Al corner profiles, 1 divider plate (steel plate)
2	1	Front frame, Al die-cast, RAL 7030, rear side with counterbores for drill holes to mount handles and front panels
3	1	Rear frame, Al die-cast, RAL 7030
4	1	Cover plate, St, 1 mm, RAL 7035, plastic-coated, with GND/earthing connection
5	1	Base plate, St, 1 mm, RAL 7035, plastic-coated, with GND/earthing connection
6	4	Case foot with anti-slip protection, PC, UL 94 V-0
7	1	Assembly kit



h1 = useable height



Order Information

Height H	Height h	h1	h2	Depth D	Part no.
2	88.0	86.0	57.5	254.5	10828-071
2	88.0	86.0	57.5	314.5	10828-072
2	88.0	86.0	57.5	374.5	10828-073
3	132.5	130.5	102.0	254.5	10828-051
3	132.5	130.5	102.0	314.5	10828-052
3	132.5	130.5	102.0	374.5	10828-053
3	132.5	130.5	102.0	434.5	10828-054
4	177.0	174.5	146.5	254.5	10828-056
4	177.0	174.5	146.5	314.5	10828-057
4	177.0	174.5	146.5	374.5	10828-058
4	177.0	174.5	146.5	434.5	10828-059
6	265.9	263.5	235.4	374.5	10828-068
6	265.9	263.5	235.4	434.5	10828-069

Note

- Max. installation space when fitting 19" components is 75 HP
- Scope of delivery includes screws to fix rear and front panels