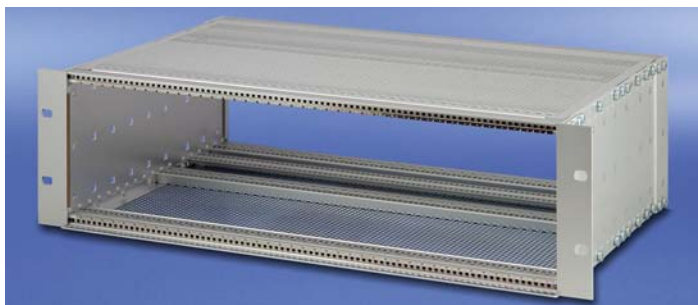


Subracks - *europac* PRO

Kit, for CompactPCI, for backplane mounting, for rear I/O, shielded

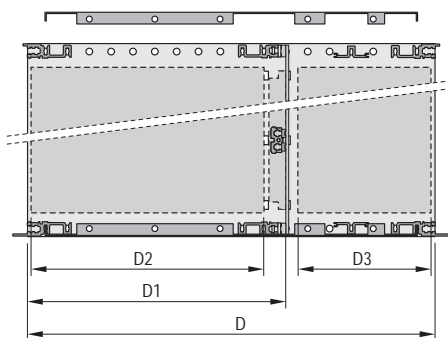
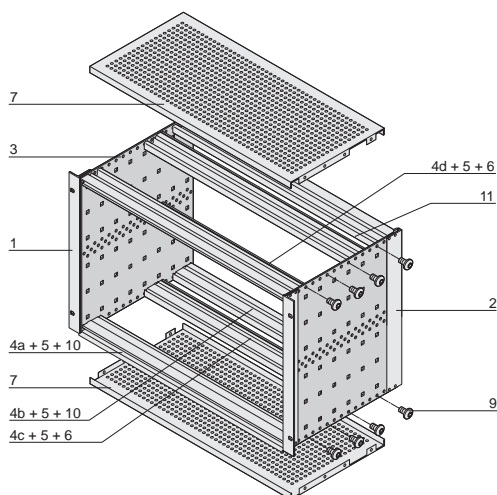


- Subrack with side panel type F ("flexible") for CompactPCI plug-in units with high insertion and withdrawal forces
- For rear I/O boards (depth 80 mm)
- Rear horizontal rail for backplane mounting with insulation strip
- Shielding typically 40 dB at 1 GHz, 30 dB at 2 GHz, assuming that the front is covered with shielded front panels
- Installed load up to 11 kg

Delivery comprises (kit)

Item	Qty		Description
	3 U	6 U	
1	2	2	19" support bracket for EMC textile gasket
2	2	2	Rear corner profile for EMC textile gasket
3	2	2	Side panel type F
4	1	-	Front horizontal rail (H-KD)
4 a	1	2	Front horizontal rail IEEE (H-LD)
4 b	2	2	Rear horizontal rail (H-KD)
4 c	2	2	Rear horizontal rail (H-ST), with insulation strip for backplane mounting
4 d	-	1	Centre horizontal rail (ST)
5	6	8	Threaded insert (pre-fitted)
6	2	4	Insulation strip, fixed
7	2	2	EMC cover plate
8	1	1	EMC gasketing material (pre-fitted)
9	1	1	Fixing material kit
10	2	2	Perforated strip (pre-fitted)
11	2	2	Horizontal rail type AB
12	1	1	User manual

6 U



D = overall depth, D1 = insertion depth,
D2 = board depth = D1 - 15 mm, D3 = rear I/O board depth



Rear horizontal rail for backplane mounting with insulation strip

Order Information

Height	Width	Depth D	Depth D1	Depth D3	Part no.
U	HP	mm	mm	mm	
3	84	275	175	80	24563-157
6	84	275	175	80	24563-457

Accessories

Guide rail with coding, red 160 mm deep, PBT, UL 94 V-0, groove width 2 mm, PU 10 pieces	24560-356
Guide rail with coding, grey 160 mm deep, PBT, UL 94 V-0, groove width 2 mm, PU 10 pieces	24560-358
Guide rail with coding, green, offset 160 mm deep, PBT, UL 94 V-0, groove width 2 mm, PU 10 pieces	24560-359
ESD clip for guide rails PU 50 pieces	24560-255
ESD clip for alignment pin of CPCI/VME64x handle PU 50 pieces	24560-256
Guide rail with coding, red 70 mm deep, PU 10 pieces	24560-355
Guide rail with coding, grey 70 mm deep, PU 10 pieces	24560-360
Torx panhead screw 2.5 x 9.3, zinc-plated, PU 100 pieces; torque max. 0.2 Nm	24560-141
Coding peg PC, UL 94 V-0, RAL 7035, PU 100 pieces	20817-501
19" fixing material kit (screw, washer, nut) (8 x screws, 8 x plastic washers, 8 x cage nuts)	21100-435