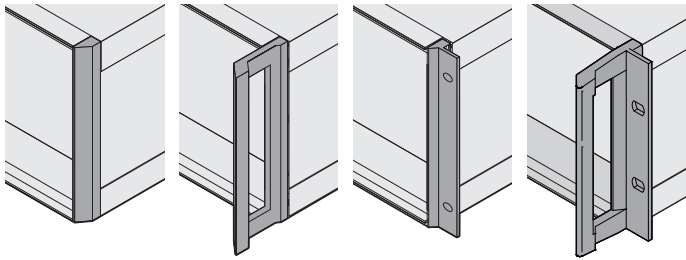


# Desk-top cases - *ratiopac* PRO

## RatiopacPRO case



3a: Bezel      3b: Front handle      3c: 19" mounting bracket      3d: 19" mounting bracket with front handle

- Cases for individual assembly with 19" standard components or specific internal mounting, e.g. with mounting plate
- Unshielded (EMC shielding retrofittable)
- Symmetrical design, identical front and rear side
- Four versions:
  - Bezels
  - Front handles
  - 19" mounting brackets
  - 19" mounting brackets with front handles
- For board depth 160 mm, 220 mm, 280 mm, and 340 mm (depending on case depth)

### Delivery comprises (kit)

Item	Qty	Description
1	2	Side panel, Al, 2 mm, chromated
2	2	Side plate, Al, 1 mm, visible surfaces powder-coated, RAL 9006
3	2	Rear trim, Al die-cast, powder-coated, RAL 7016
3a	2	Bezel, Al die-cast, powder-coated, RAL 7016
3b	2	Front handle, Al die-cast, powder-coated, RAL 7016
3c	2	19" mounting bracket, Al diecast, powder-coated, RAL 7016
3d	2	19" mounting bracket with front handle, Al diecast, powder-coated, RAL 7016
4	4	Horizontal rail, type H-LD, Al, visible surfaces powder-coated, RAL 7016
11	2	Top cover and base plate, Al, 1 mm, inner sides conductive, visible surfaces powder-coated, RAL 9006, with GND/earthing connections, base plate with honeycomb grid ventilation
12	4	Case foot with anti-slip protection, UL 94 V-0, PC black
13	1	Fixing materials kit

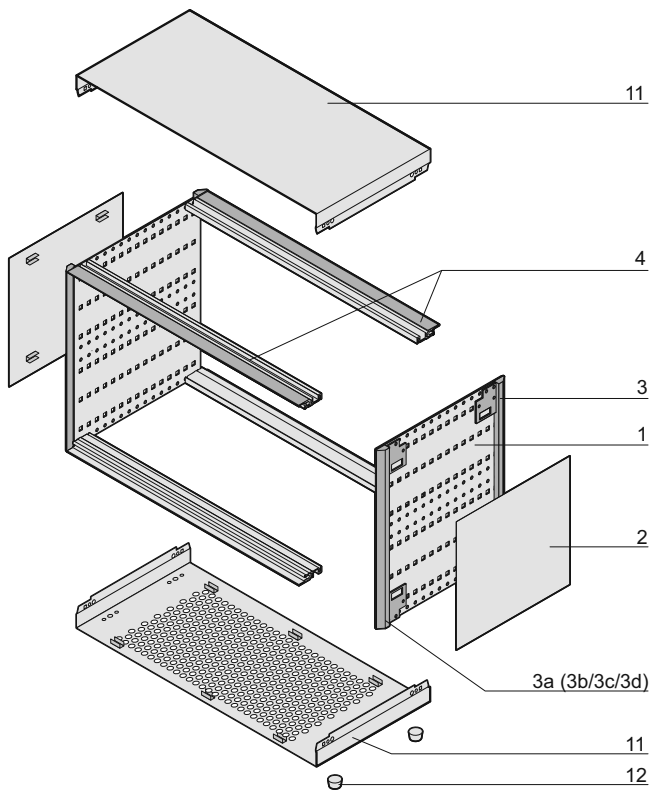
3a, 3b, 3c or 3d according to selection

### Note

- Order information, see following page

### Order Information

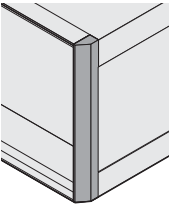
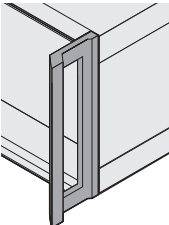
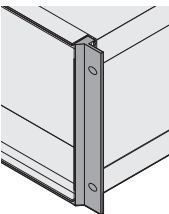
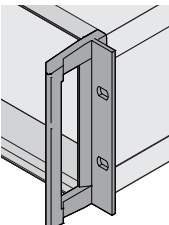
Accessories	
<b>Earthing kit</b> CU wire, 1.5 mm <sup>2</sup> , PVC sleeve, green/yellow, 1 kit	24571-380
<b>Al diecast foot with tip-up</b> silver, 1 piece (SPQ 10)	10603-002
<b>Plastic tip-up foot</b> silver, similar to RAL 9006, PU 4 pieces	20603-001
<b>Plastic tip-up foot</b> anthracite, similar to RAL 7016, 4 pieces	20603-002
<b>Stacking aid</b> silver, similar to RAL 9006, PA, UL 94 V-0, PU 4 pieces	20603-004
<b>Stacking aid</b> anthracite, similar to RAL 7016, PA, UL 94 V-0, PU 4 pieces	20603-003



Drawing with front cover strip

# Desk-top cases - *ratio*pac PRO

## RatioPacPRO case

	Width W HP	Depth D mm	Case height H									
			2 U		Side panel subdivision							
			Part no.	Part no.	Part no.	Part no.		Part no.				
						(1 U-3 U-1 U)	(3 U-2 U)					
					<table border="1" style="margin: auto;"> <tr><td style="text-align: center;">1</td></tr> <tr><td style="text-align: center;">3</td></tr> <tr><td style="text-align: center;">1</td></tr> </table>	1	3	1	<table border="1" style="margin: auto;"> <tr><td style="text-align: center;">3</td></tr> <tr><td style="text-align: center;">2</td></tr> </table>	3	2	
1												
3												
1												
3												
2												
<b>Cover strips</b>												
	28	255.5	24572-500	24571-002	24571-050	24572-117	24572-261	24571-098				
	28	315.5	24572-503	24571-005	24571-053	24572-120	24572-264	24571-101				
	42	255.5	24572-510	24571-014	24571-062	24572-129	24572-273	24571-110				
	42	315.5	24572-513	24571-017	24571-065	24572-132	24572-276	24571-113				
	42	255.5	24572-514	24571-018	24571-066	24572-133	24572-277	24571-114				
	63	255.5	24572-520	24571-026	24571-074	24572-141	24572-285	24571-122				
	63	315.5	24572-523	24571-029	24571-077	24572-144	24572-288	24571-125				
	63	375.5	24572-524	24571-030	24571-078	24572-145	24572-289	24571-126				
	84	255.5	24572-530	24571-038	24571-086	24572-153	24572-297	24571-134				
	84	315.5	24572-533	24571-041	24571-089	24572-156	24572-300	24571-137				
	84	375.5	24572-534	24571-042	24571-090	24572-157	24572-301	24571-138				
	84	435.5	24572-535	24571-043	24571-091	24572-158	24572-302	24571-139				
	84	495.5	24572-536	24571-044	24571-092	24572-159	24572-303	24571-140				
<b>Front handles</b>												
	28	255.5	–	24571-702	24571-750	24572-213	24572-357	24571-798				
	28	315.5	–	24571-705	24571-753	24572-216	24572-360	24571-801				
	42	255.5	–	24571-714	24571-762	24572-225	24572-369	24571-810				
	42	315.5	–	24571-717	24571-765	24572-228	24572-372	24571-813				
	42	375.5	–	24571-718	24571-766	24572-229	24572-373	24571-814				
	63	255.5	–	24571-726	24571-774	24572-237	24572-381	24571-822				
	63	315.5	–	24571-729	24571-777	24572-240	24572-384	24571-825				
	63	375.5	–	24571-730	24571-778	24572-241	24572-385	24571-826				
	84	255.5	–	24571-738	24571-786	24572-249	24572-393	24571-834				
	84	315.5	–	24571-741	24571-789	24572-252	24572-396	24571-837				
	84	375.5	–	24571-742	24571-790	24572-253	24572-397	24571-838				
	84	435.5	–	24571-743	24571-791	24572-254	24572-398	24571-839				
	84	495.5	–	24571-744	24571-792	24572-255	24572-399	24571-840				
<b>19" mounting brackets</b>												
	84	255.5	24572-570	24571-438	24571-486	24572-201	24572-345	24571-534				
	84	315.5	24572-573	24571-441	24571-489	24572-204	24572-348	24571-537				
	84	375.5	24572-574	24571-442	24571-490	24572-205	24572-349	24571-538				
	84	435.5	24572-575	24571-443	24571-491	24572-206	24572-350	24571-539				
	84	495.5	24572-576	24571-444	24571-492	24572-207	24572-351	24571-540				
<b>19" mounting brackets with front handles</b>												
	84	255.5	24572-620	24572-630	24572-640	–	–	24572-660				
	84	315.5	24572-623	24572-633	24572-643	–	–	24572-663				
	84	375.5	24572-624	24572-634	24572-644	–	–	24572-664				
	84	435.5	24572-625	24572-635	24572-645	–	–	24572-665				
	84	495.5	24572-626	24572-636	24572-646	–	–	24572-666				