

PLEASE CHECK WWW.MOLEX.COM FOR LATEST PART INFORMATION

Part Number: [0747370010](#)
Status: **Active**
Overview: SFP+ and SFP Interconnect Solutions
Description: Small Form-Factor Pluggable (SFP) One Piece Cage, EMI Shielding, 3.38mm Solder Post Tails

Documents:

[3D Model](#) [Application Specification AS-74737-001 \(PDF\)](#)
[Drawing \(PDF\)](#) [RoHS Certificate of Compliance \(PDF\)](#)
[Product Specification PS-74737-0010 \(PDF\)](#)

General

Product Family	I/O Connectors
Series	74737
Application	Module-to-Board
Component Type	Cage Assembly, EMI Shield
Overview	SFP+ and SFP Interconnect Solutions
Product Name	SFP
Type	N/A
UPC	822350185820

Physical

Boot Color	N/A
Circuits (Loaded)	N/A
Keying to Mating Part	None
Lock to Mating Part	Yes
Material - Metal	Copper Alloy
Material - Plating Mating	N/A
Net Weight	4.310/g
Orientation	Right Angle
PCB Locator	Yes
PCB Retention	Yes
PCB Thickness - Recommended	1.57mm
Packaging Type	Tray
Panel Mount	Yes
Pitch - Mating Interface	N/A
Polarized to Mating Part	Yes
Polarized to PCB	N/A
Surface Mount Compatible (SMC)	N/A
Termination Interface: Style	Through Hole
Waterproof / Dustproof	Yes
Wire Size AWG	N/A

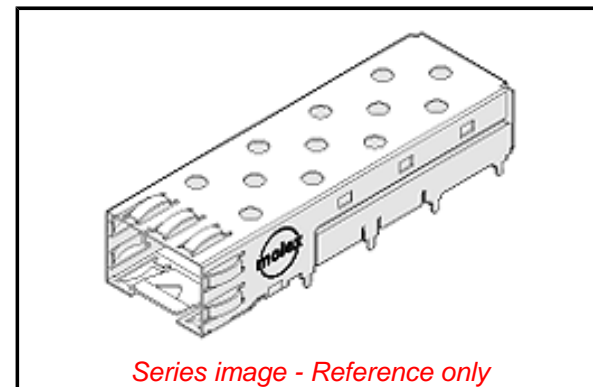
Electrical

Current - Maximum per Contact	N/A
Grounding to Panel	N/A
Shield Type	EMI Fingers, EMI Gasket
Shielded	Yes

Material Info

Reference - Drawing Numbers

Application Specification	AS-74737-001
Product Specification	PS-74737-0010
Sales Drawing	SD-74737-010



Series image - Reference only

EU ELV

Not Relevant

EU RoHS

Compliant

China RoHS

REACH SVHC

Contains SVHC(2014 December 17): No

Halogen-Free

Status

Low-Halogen

Need more information on product environmental compliance?

Email productcompliance@molex.com
Please visit the [Contact Us](#) section for any non-product compliance questions.

China ROHS

Green Image

ELV

Not Relevant

Search Parts in this Series

[74737](#) Series

Mates With

[74720](#) SFP Copper Module, [73929](#) SFP Cable Assembly, Passive, 2 Gbps, [73930](#) SFP Cable Assembly, Active, 2 Gbps, [74742](#) SFP Cable Assembly, Passive, 4 Gbps, [74743](#) SFP Cable Assembly, Active, 4 Gbps

Use With

[74441](#) Connector

This document was generated on 06/29/2015

PLEASE CHECK WWW.MOLEX.COM FOR LATEST PART INFORMATION