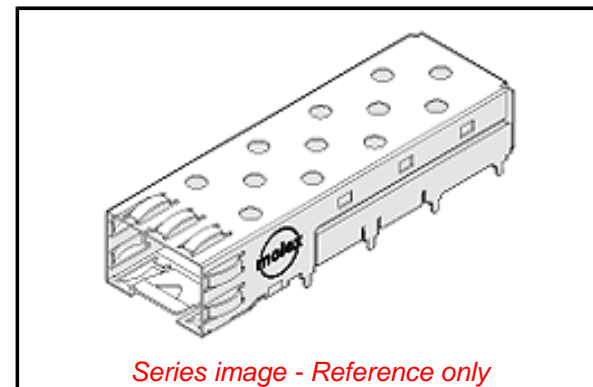


**PLEASE CHECK WWW.MOLEX.COM FOR LATEST PART INFORMATION**

**Part Number:** [0747370009](#)  
**Status:** **Active**  
**Overview:** SFP+ and SFP Interconnect Solutions  
**Description:** Small Form-Factor Pluggable (SFP) One Piece Cage, EMI Shielding, 3.05mm Press-Fit Tails

**Documents:**

<a href="#">3D Model</a>	<a href="#">Test Summary TS-74737-1010 (PDF)</a>
<a href="#">Drawing (PDF)</a>	<a href="#">Test Summary TS-74737-1011 (PDF)</a>
<a href="#">Product Specification PS-74737-0010 (PDF)</a>	<a href="#">RoHS Certificate of Compliance (PDF)</a>
<a href="#">Application Specification AS-74737-001 (PDF)</a>	



Series image - Reference only

**General**

Product Family	I/O Connectors
Series	74737
Application	Module-to-Board
Component Type	Cage Assembly, EMI Shield
Overview	SFP+ and SFP Interconnect Solutions
Product Name	SFP
Type	N/A
UPC	822350185813

**Physical**

Boot Color	N/A
Circuits (Loaded)	N/A
Keying to Mating Part	None
Lock to Mating Part	Yes
Material - Metal	Copper Alloy
Material - Plating Mating	N/A
Net Weight	4.309/g
Orientation	Right Angle
PCB Locator	Yes
PCB Retention	Yes
PCB Thickness - Recommended	1.57mm
Packaging Type	Tray
Panel Mount	Yes
Pitch - Mating Interface	N/A
Polarized to Mating Part	Yes
Polarized to PCB	N/A
Surface Mount Compatible (SMC)	N/A
Termination Interface: Style	Through Hole - Compliant Pin
Waterproof / Dustproof	Yes
Wire Size AWG	N/A

**Electrical**

Current - Maximum per Contact	N/A
Grounding to Panel	N/A
Shield Type	EMI Fingers, EMI Gasket
Shielded	Yes

**Solder Process Data**

Lead-free Process Capability	SMC&WAVE
Process Temperature max. C	265

**Material Info**

Old Part Number	73927-0009
-----------------	------------

**Reference - Drawing Numbers**

**EU ELV**

**Not Relevant**

**EU RoHS**

**Compliant**

**China RoHS**

**REACH SVHC**

Contains SVHC(2014 December 17): No

**Halogen-Free**

**Status**

**Low-Halogen**

**Need more information on product environmental compliance?**

Email [productcompliance@molex.com](mailto:productcompliance@molex.com)  
Please visit the [Contact Us](#) section for any non-product compliance questions.

China ROHS

Green Image

ELV

Not Relevant

**Search Parts in this Series**

[74737](#) Series

**Mates With**

[74720](#) SFP Copper Module, [73929](#) SFP Cable Assembly, Passive, 2 Gbps, [73930](#) SFP Cable Assembly, Active, 2 Gbps, [74742](#) SFP Cable Assembly, Passive, 4 Gbps, [74743](#) SFP Cable Assembly, Active, 4 Gbps

**Use With**

[74441](#) Connector

**Application Tooling | FAQ**

*Tooling specifications and manuals are found by selecting the products below. Crimp Height Specifications are then contained in the Application Tooling Specification document.*

**Global**

**Description**

**Product #**

Application Specification  
Product Specification  
Sales Drawing  
Test Summary

AS-74737-001  
PS-74737-0010  
SD-74737-009, SD-74737-020  
TS-74737-1010, TS-74737-1011

Multi-Port Connector [0622029745](#)  
Tooling  
Removal Tool for [0622029750](#)  
1 by 1 Small Form-  
Factor Pluggable

This document was generated on 06/29/2015

**PLEASE CHECK [WWW.MOLEX.COM](http://WWW.MOLEX.COM) FOR LATEST PART INFORMATION**