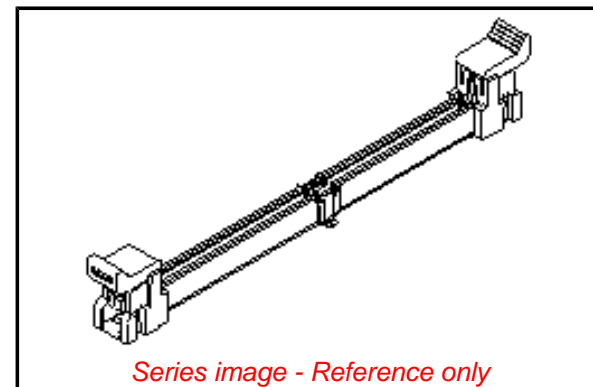


PLEASE CHECK WWW.MOLEX.COM FOR LATEST PART INFORMATION

Part Number: [0877822001](#)
Status: **Active**
Overview: MiniDIMM
Description: 0.60mm Pitch miniDIMM DDR2, Socket, Surface Mount, Vertical, 1.8V Voltage Key, 244 Circuits, 0.76µm Gold (Au) Plating, Off-White Latches, without Pick-and-Place Cap, Type A Tray, Lead-Free

Documents:

[3D Model](#) [Application Specification AS-87782-001 \(PDF\)](#)
[Drawing \(PDF\)](#) [RoHS Certificate of Compliance \(PDF\)](#)
[Product Specification PS-87782-027 \(PDF\)](#)



Agency Certification

CSA LR19980
 UL E29179

General

Product Family Memory Module Sockets
 Series [87782](#)
 Comments Latches in Off-White Color
 Component Type Socket
 Electrical Model Yes
 JEDEC Outline MO-244
 Overview [MiniDIMM](#)
 Product Name MiniDIMM
 UPC 822348683871

Physical

Circuits (Loaded) 244
 Color - Resin Black
 Durability (mating cycles max) 25
 Entry Angle Vertical (Top Entry)
 Flammability 94V-0
 Keying to Mating Part Yes
 Material - Metal Copper Alloy
 Material - Plating Mating Gold
 Material - Plating Termination Tin
 Material - Resin High Temperature Thermoplastic
 Net Weight 5.902/g
 PCB Locator Yes
 PCB Retention Yes
 Packaging Type Tray
 Pitch - Mating Interface 0.60mm
 Pitch - Termination Interface 0.60mm
 Plating min - Mating 0.762µm
 Plating min - Termination 2.540µm
 Temperature Range - Operating -55°C to +85°C
 Termination Interface: Style Surface Mount

Electrical

Current - Maximum per Contact 1.0A
 Voltage - Maximum 30V (RMS)
 Voltage Key 1.8V

Solder Process Data

Duration at Max. Process Temperature (seconds) 005
 Lead-freeProcess Capability SMC&WAVE
 Max. Cycles at Max. Process Temperature 002

EU ELV

Not Relevant

EU RoHS

Compliant

REACH SVHC

Contains SVHC(2015
 June 15): No

Halogen-Free

Status

Not Low-Halogen

Need more information on product environmental compliance?

Email productcompliance@molex.com
 Please visit the [Contact Us](#) section for any non-product compliance questions.

China ROHS

ELV

Green Image

Not Relevant

Search Parts in this Series

[87782](#) Series

Mates With

JEDEC MO-244 Modules

Process Temperature max. C

260

Material Info

Reference - Drawing Numbers

Application Specification
Electrical Model Document

AS-87782-001
EE-87782-001, EE-87782-002, EE-87782-003,
EE-87782-007

Product Specification
S-Parameter Model
Sales Drawing

PS-87782-027
SP-87782-001, SP-87782-007
SD-87782-001

This document was generated on 08/27/2015

PLEASE CHECK WWW.MOLEX.COM FOR LATEST PART INFORMATION