

PLEASE CHECK WWW.MOLEX.COM FOR LATEST PART INFORMATION

Part Number: [0010181032](#)
Status: **Active**
Overview: Standard .093" Pin and Socket Connectors
Description: 2.36mm Diameter Standard .093" Pin and Socket Header, Shrouded, 3 Circuits, 3 Male Terminals

Documents:

[3D Model](#) [Packaging Specification PK-3099-002 \(PDF\)](#)
[Drawing \(PDF\)](#) [RoHS Certificate of Compliance \(PDF\)](#)

Agency Certification

UL E29179

General

Product Family PCB Headers
 Series 3099
 Application Power, Wire-to-Board
 Comments Solder Type|Round Pin
 Overview [Standard .093" Pin and Socket Connectors](#)
 Product Name Standard .093"
 UPC 800753611689

Physical

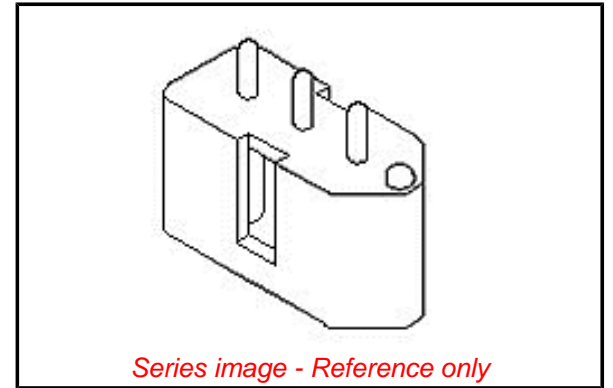
Breakaway No
 Circuits (Loaded) 3
 Circuits (maximum) 3
 Color - Resin Black
 Durability (mating cycles max) 25
 Flammability 94V-2
 Glow-Wire Compliant No
 Lock to Mating Part Yes
 Material - Plating Mating Tin
 Material - Plating Termination Tin
 Material - Resin Polyester
 Net Weight 1.322/g
 Number of Rows 1
 Orientation Vertical
 PC Tail Length 4.32mm
 PCB Locator Yes
 PCB Retention None
 PCB Thickness - Recommended 1.60mm
 Packaging Type Bag
 Pitch - Mating Interface 5.03mm
 Polarized to PCB Yes
 Shrouded Fully
 Stackable No
 Surface Mount Compatible (SMC) No
 Temperature Range - Operating -40°C to +105°C
 Termination Interface: Style Through Hole

Electrical

Current - Maximum per Contact 5.0A
 Voltage - Maximum 250V

Solder Process Data

Duration at Max. Process Temperature (seconds) 005
 Lead-freeProcess Capability WAVE
 Max. Cycles at Max. Process Temperature 001



EU ELV

Not Relevant

EU RoHS

Compliant

REACH SVHC

Contains SVHC(2015 June 15): No

Halogen-Free

Status

Not Low-Halogen

Need more information on product environmental compliance?

Email productcompliance@molex.com
 Please visit the [Contact Us](#) section for any non-product compliance questions.

China ROHS

ELV

Green Image

Not Relevant

Search Parts in this Series

[3099 Series](#)

Mates With

03-09-1081 , 03-09-1032

Process Temperature max. C

235

Material Info

Old Part Number

A-3099-P31

Reference - Drawing Numbers

Packaging Specification

PK-3099-002

Sales Drawing

SDA-3099-*3**

This document was generated on 08/31/2015

PLEASE CHECK WWW.MOLEX.COM FOR LATEST PART INFORMATION