

Universal Stripping Tool



Specifications:

Length : 4.9" (125±1mm)

Weight : 74g

Material : Made of ABS

Function

Strips outer jacket of UTP and STP cable and CAT 5 round telephone cable.

Strips 18 AWG & 24 AWG.

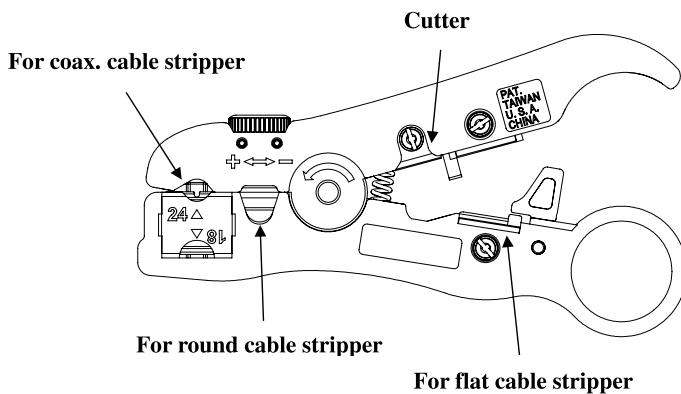
Strips flat telephone cable.

With cable cutter.

Crimping Procedure:

1. Push cassette out of the housing.
2. Cassette is reversible for 18 AWG & 24 AWG
3. For stripping coaxial cables.
4. For stripping round networking cable.
5. For cutting cables.
6. For stripping flat 4P/6P/8P cable.

Drawing



Part Number Table

Description	Part Number
Universal Stripping Tool	D03073

Important Notice : This data sheet and its contents (the "Information") belong to the members of the Premier Farnell group of companies (the "Group") or are licensed to it. No licence is granted for the use of it other than for information purposes in connection with the products to which it relates. No licence of any intellectual property rights is granted. The Information is subject to change without notice and replaces all data sheets previously supplied. The Information supplied is believed to be accurate but the Group assumes no responsibility for its accuracy or completeness, any error in or omission from it or for any use made of it. Users of this data sheet should check for themselves the Information and the suitability of the products for their purpose and not make any assumptions based on information included or omitted. Liability for loss or damage resulting from any reliance on the Information or use of it (including liability resulting from negligence or where the Group was aware of the possibility of such loss or damage arising) is excluded. This will not operate to limit or restrict the Group's liability for death or personal injury resulting from its negligence. DURATOOL is the registered trademark of the Group. © Premier Farnell plc 2012.

