

**PLEASE CHECK WWW.MOLEX.COM FOR LATEST PART INFORMATION**

**Part Number:** **0190050009**  
**Status:** **Active**  
**Overview:** Standard Quick-Disconnect Terminals  
**Description:** InsulKrimp™ Fully Insulated Coupler, Female, for 14-16 AWG Wire, Mylar Tape

**Documents:**

<a href="#">3D Model</a>	<a href="#">Product Specification PS-19902-011 (PDF)</a>
<a href="#">Drawing (PDF)</a>	<a href="#">Product Specification PS-19902-015 (PDF)</a>
<a href="#">Product Specification PS-19902-008 (PDF)</a>	<a href="#">RoHS Certificate of Compliance (PDF)</a>

**Agency Certification**

CSA	LR18689
UL	E79133

**General**

Product Family	Quick Disconnects
Series	<u>19005</u>
Crimp Quality Equipment	Yes
Insulated	Fully
Overview	<u>Standard Quick-Disconnect Terminals</u>
Product Name	InsulKrimp™
Type	Quick Disconnect
UPC	800753030541
Wire Size mm <sup>2</sup>	1.30-2.00

**Physical**

Barrel Type	Closed
Color - Resin	Blue
Flammability	94V-2
Gender	Female
Glow-Wire Compliant	Yes
Insulation	Nylon (PA)
Lock to Mating Part	None
Material - Metal	Brass
Material - Plating Mating	Tin
Material - Plating Termination	Tin
Material - Resin	Nylon
Net Weight	1.359/g
Orientation	Straight
Packaging Type	Adhesive Tape on Reel
Polarized to Mating Part	No
Tab Thickness	0.81mm
Tab Width	6.35mm
Temperature Range - Operating	-65°C to +105°C
Wire Insulation Diameter	4.19mm max.
Wire Size AWG	14, 16

**Electrical**

Voltage - Maximum	600V
-------------------	------

**Solder Process Data**

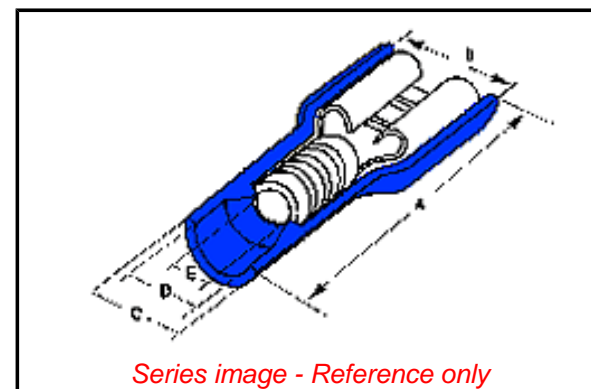
Lead-free Process Capability	N/A
------------------------------	-----

**Material Info**

Old Part Number	BB-2263T
-----------------	----------

**Reference - Drawing Numbers**

Product Specification	PS-19902-008, PS-19902-011, PS-19902-015
-----------------------	--



*Series image - Reference only*

**EU ELV**

**Not Relevant**

**EU RoHS**

**Compliant**

**REACH SVHC**

Contains SVHC(2015 June 15): No

**Halogen-Free**

**Status**

**Low-Halogen**

**Need more information on product environmental compliance?**

Email [productcompliance@molex.com](mailto:productcompliance@molex.com)  
Please visit the [Contact Us](#) section for any non-product compliance questions.

China ROHS

ELV

Green Image

Not Relevant

**Search Parts in this Series**

19005 Series

**Use With**

19004-0005 , 19004-0008

**Application Tooling | FAQ**

*Tooling specifications and manuals are found by selecting the products below. Crimp Height Specifications are then contained in the Application Tooling Specification document.*

**Global**

Description	Product #
Mini-Mac™ Applicator	<u>0638852600</u>
ATP Crimp Dies for the Tape Crimp Module and ATP-101 & 301 Press	<u>0192880095</u>

This document was generated on 09/08/2015

**PLEASE CHECK [WWW.MOLEX.COM](http://WWW.MOLEX.COM) FOR LATEST PART INFORMATION**