

**PLEASE CHECK WWW.MOLEX.COM FOR LATEST PART INFORMATION**

**Part Number:** **1042380210**

**Status:** **Active**

**Overview:** Lite-Trap™ and Mini Lite-Trap™ Connector System

**Description:** Mini Lite-Trap™ SMT Wire-to-Board Connector, Push-Button Type, 2 Circuits

**Documents:**

[Drawing \(PDF\)](#)

[Product Specification PS-104238-001 \(PDF\)](#)

[Packaging Specification PK-104238-001 \(PDF\)](#)

[RoHS Certificate of Compliance \(PDF\)](#)

**Agency Certification**

UL E29179

**General**

Product Family	PCB Receptacles
Series	104238
Application	Wire-to-Board
Overview	<u>Lite-Trap™ and Mini Lite-Trap™ Connector System</u>
Product Name	Mini Lite-Trap™
UPC	889056065337

**Physical**

Circuits (Loaded)	2
Circuits (maximum)	2
Color - Resin	Natural
Durability (mating cycles max)	25
Glow-Wire Compliant	No
Material - Metal	Copper Alloy
Material - Plating Mating	Tin
Material - Resin	Liquid Crystal Polymer
Net Weight	0.175/g
Number of Rows	1
Orientation	Right Angle
PCB Retention	None
Packaging Type	Embossed Tape on Reel
Pitch - Mating Interface	3.00mm
Plating min - Mating	0.813µm
Polarized to PCB	No
Temperature Range - Operating	-40°C to +130°C
Termination Interface: Style	Surface Mount

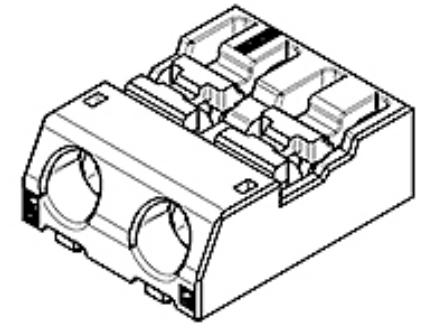
**Electrical**

Current - Maximum per Contact	3.0A
Voltage - Maximum	160V AC (RMS)/DC

**Material Info**

**Reference - Drawing Numbers**

Packaging Specification	PK-104238-001
Product Specification	PS-104238-001, RPS-104238-001
Sales Drawing	SD-104238-003, SD-104238-004



*Series image - Reference only*

**EU ELV**

**Not Relevant**

**EU RoHS**

**Compliant**

**REACH SVHC**

Contains SVHC(2014  
December 17): No

**Halogen-Free**

**Status**

**Low-Halogen**

**Need more information on product  
environmental compliance?**

Email [productcompliance@molex.com](mailto:productcompliance@molex.com)  
Please visit the [Contact Us](#) section for any  
non-product compliance questions.

China ROHS

ELV

Green Image

Not Relevant

**Search Parts in this Series**

104238 Series