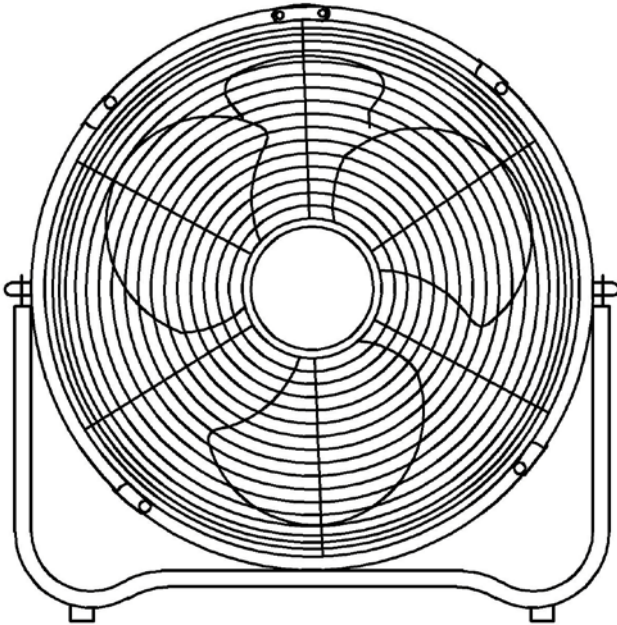


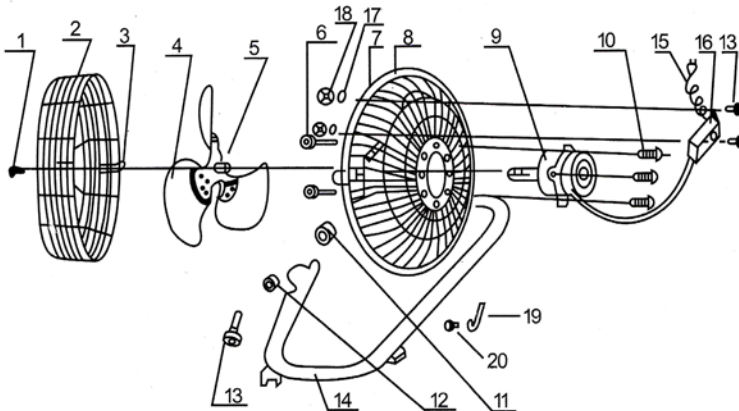
High Velocity Fan Instruction Manual



Model:HG00660

Sleek & modern high-velocity fan provides more powerful wind than ordinary plastic fans. Draws air off the floor and circulate through the entire room keeping room cool and breezy. Put near the windows and it helps exhaust hot indoor stuffy air and pulls in fresh outdoor air.

- Energy-saving, high velocity motor for maximum air circulation
- Tilt-adjustment for flexible use
- Triple speed selection
- Precision fan blades for powerful wind but low-noise
- Chrome-stand, solid construction with thermal-protection to prevent motor overheating.



1. SCREW
2. FRONT GUARD
3. GUARD CLIPS
4. BLADE
5. SET SCREW
6. NUT
7. SQUARE BOLT
8. REARGUARD
9. MOTOR
10. SCREW

11. PLASTIC BEARER
12. LOCKNUT
13. SCREW
14. TUBE BASE
15. POWER CORD
16. CONTROL BOX
17. WASHER
18. NUTS
19. HANGING HOOK
20. SCREW

SAFETY PRECAUTIONS

1) This appliance is not intended for use by persons (including children) with reduced physical, sensory or mental capabilities, or lack of experience and knowledge, unless they have been given supervision or instruction concerning use of the appliance by a person responsible for their safety.

Children should be supervised to ensure that they do not play with the appliance.

2) The children should be monitored to ensure they do not operate this machine.

3) Need to check the power cord and plug is damaged regularly. If it's damaged, must replace the power cord or plug by the manufacturer or a qualified expert/agency to avoid hazards.