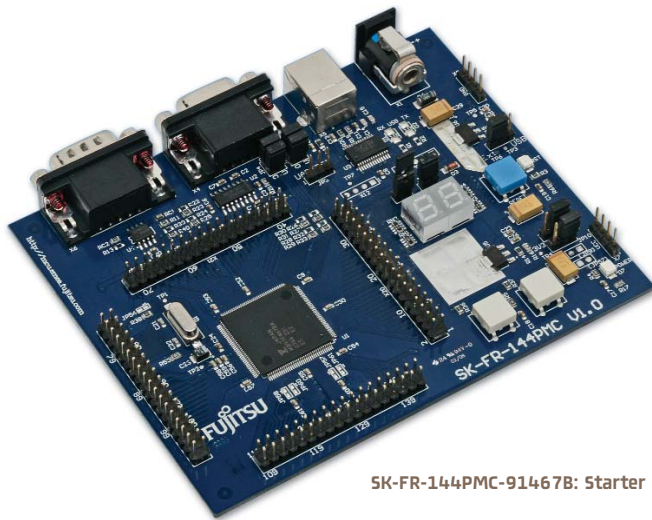


FACTSHEET
QUICK START KIT FOR 32-BIT MCUS
SK-FR-144PMC-91467B

MB91460 QUICK START KIT easy start with Fujitsu's latest 32-bit microcontroller series



SK-FR-144PMC-91467B: Starter Kit

Description

MB91460 is a 32-bit microcontroller series of the FR Fujitsu RISC MCU family for industrial and automotive applications. About 15 derivatives with different packages, memory configurations and feature sets are already available. Further chips are under design.

Highlights MB91460 series

- Wide operating voltage range 3.0 to 5.5V
- Up to 100MHz operating frequency
- Up to 2MB Flash (flash security), 96KB RAM
- Automotive qualification AEC-Q100
- Temperature range -40 to +105°C (extended +125°C)

The kit SK-FR-144PMC-91467B allows an easy start with this microcontroller series. All components necessary to begin a development are included.

Kit content

- Full version of the IDE (Integrated Develop Environment) 'Softune Workbench'

- Evaluation version Accemic MDE source-level debugger
- Target board 'SK-FR-144PMC-91467B' with MB91F467B MCU
- USB cable
- Software examples, application notes, manuals

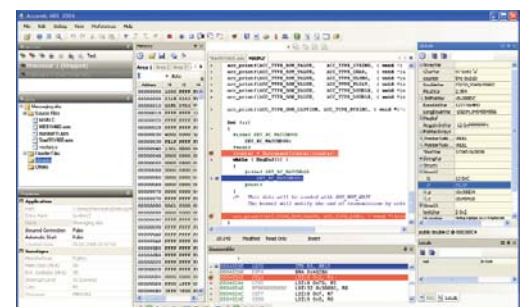
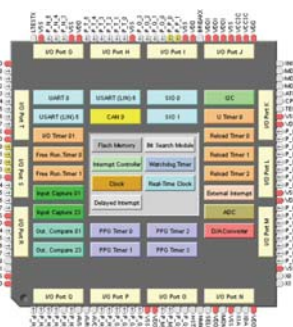
Accemic monitor debugger

Accemic MDE (Monitor Debugging Environment) provides powerful state-of-the-art debugging capabilities and a highly intuitive, easy-to-use visual interface. For both source level and assembly language, the tool provides all the standard debug functions.

The MB91460 Quick Start Kit contains an evaluation version of the debugger.

Features

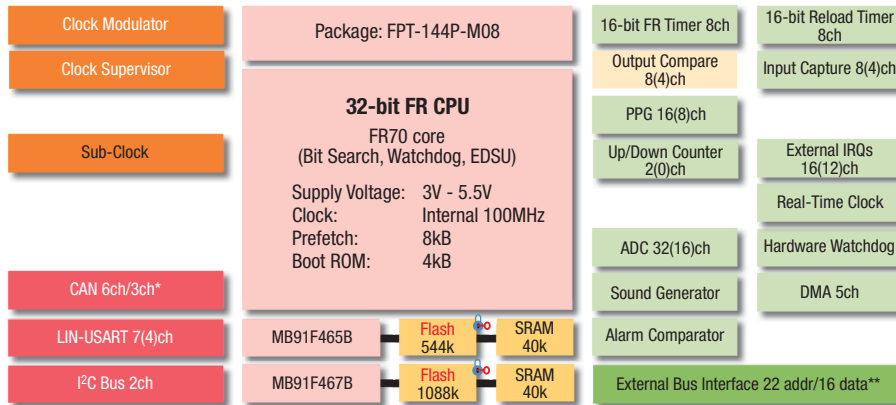
- Full source level and symbolic debugging with co-ordinated source and disassembly display
- Single Step, Step Into, Step Out and Step Over functions in C and Assembly
- Simple setting of breakpoints in RAM or Flash
- Colour highlighted source code
- Variable displays with type and address information
- Drag-and-drop values into variables to modify values
- Watch windows for local and global variables
- Views of all memory areas, registers and disassembled program
- Colour highlighting of recently changed data
- Integrated flash programming utilities to download a program from the host PC
- Complete and extensive processor visualisation
- C++ support
- Autodetection of UART baudrates
- Linkable monitor kernel



FACTSHEET

QUICK START KIT FOR 32-BIT MCUS

SK-FR-144PMC-91467B



*6ch on MB91F467B
3ch on others

**External Bus Interface option
(x) Resources in case of Bus Interface option

MB91460B sub-series 144-pin MCUs.

Project management support, source code editor, compiler, linker assembler and simulator debugger are content of this environment.

Features

- Full version is free-of-charge in Europe
- Windows 98/Me/2000/XP versions
- Editor with syntax highlighting
- Language tools like C-compiler, assembler and linker fully integrated
- Easy configuration of language tools by use of graphical option dialogues
- Integrated instruction set simulator
- Supports ICE (In Circuit Emulator) debugging (requires additional hardware)

Target board

Many important features of the 32-bit MCU series MB91460 can be evaluated with the included target board and the mounted microcontroller MB91F467B.

This device is a general-purpose controller with CAN interfaces, several UARTs (including SPI and LIN), I²C interface, a reasonable number of different timers, A/D converters and additional resources. The external bus interface can be enabled if required.

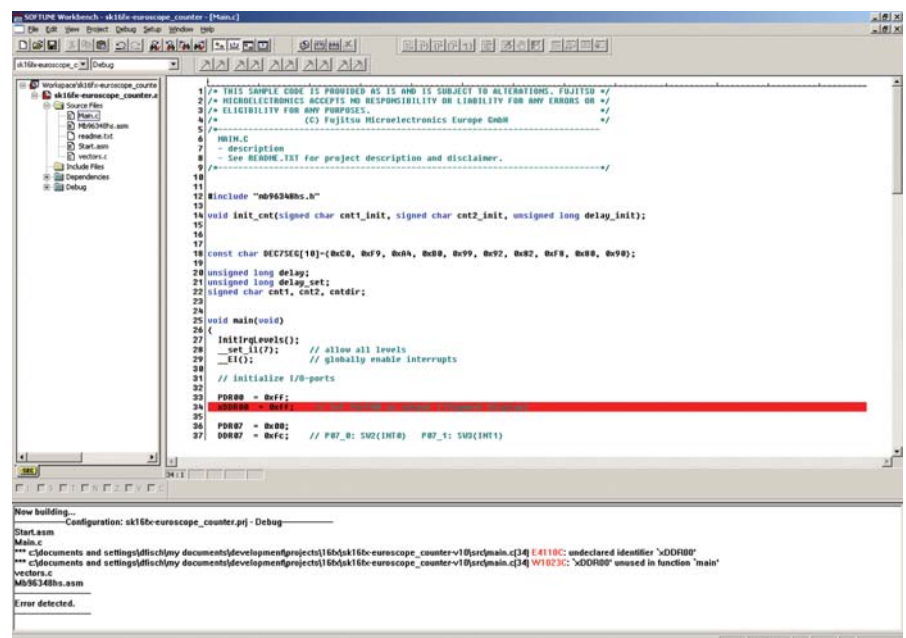
Features

- Microcontroller MB91F467B
- 1x UART-transceiver (SUB-D9 connector)
- 1x USB to serial converter
- 1x High-speed CAN-transceiver (SUB-D9 connector)
- 2x LED-display (7-segment)
- 2x User-buttons
- 1x Reset-button, Reset-LED
- All 144-pins routed to pin-header
- On-board 5V and 3V voltage regulators, 'Power' LED
- USB power-supply (external power supply possible)

Softune Workbench

Softune Workbench is an integrated development environment for Fujitsu's 8-, 16- and 32-bit microcontrollers.

The tools, necessary to develop embedded software, are combined into one GUI (Graphical User Interface).



Softune Workbench IDE.

ASK FUJITSU MICROELECTRONICS EUROPE

Contact us on +49(0) 61 03 69 00 or visit
<http://emea.fujitsu.com/microelectronics>