

PLEASE CHECK WWW.MOLEX.COM FOR LATEST PART INFORMATION

Part Number: **0505988000**
Status: **Active**
Description: CP-6.5 3.96mm and 6.50mm Pitch Wire-to-Wire and Wire-to-Board Crimp Terminal, Female, 20-26 AWG, Reel

Documents:

[Drawing \(PDF\)](#) [Product Specification PS-51142-003 \(PDF\)](#)
[Product Specification PS-51138-002 \(PDF\)](#) [RoHS Certificate of Compliance \(PDF\)](#)
[Product Specification PS-51142-002 \(PDF\)](#)

General

Product Family Crimp Terminals
 Series [50598](#)
 Application Power
 Crimp Quality Equipment Yes
 Packaging Alternative [50598-8100](#) (Loose)
 Product Name CP-6.5
 UPC 800753366572

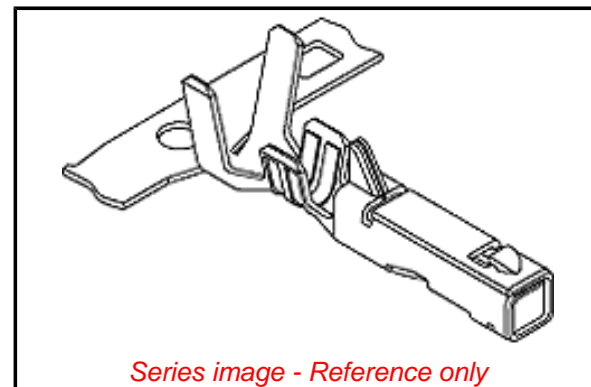
Physical

Gender Female
 Material - Metal Copper
 Material - Plating Mating Tin
 Material - Plating Termination Tin
 Net Weight 246.300/mg
 Packaging Type Reel
 Termination Interface: Style Crimp or Compression
 Wire Insulation Diameter 1.20-2.35mm
 Wire Size AWG 20, 22, 24, 26
 Wire Size mm² N/A

Material Info

Reference - Drawing Numbers

Product Specification [PS-51138-002](#), [PS-51142-002](#), [PS-51142-003](#),
[RPS-51142-001](#), [RPS-51142-003](#), [RPS-51142-004](#),
[RPS-51142-005](#), [RPS-51142-006](#), [RPS-51142-007](#),
[RPS-51142-008](#), [RPS-51142-010](#)
 Sales Drawing [SD-50598-8*00](#)



Series image - Reference only

EU ELV

Not Relevant

EU RoHS

Compliant

China RoHS

REACH SVHC

Contains SVHC(2015
 June 15): No

Halogen-Free

Status

Low-Halogen

Need more information on product environmental compliance?

Email productcompliance@molex.com
 Please visit the [Contact Us](#) section for any non-product compliance questions.

China ROHS
 ELV

Green Image
 Not Relevant

Search Parts in this Series

[50598](#) Series

Mates With

[50599](#) Male Crimp Terminal, [50600](#) Male Crimp Terminal 20-26 AWG

Use With

[51138](#) , [51142](#) , CP-6.5 Receptacle Housing [151049](#)

Application Tooling | FAQ

Tooling specifications and manuals are found by selecting the products below. Crimp Height Specifications are then contained in the Application Tooling Specification document.

Global

Description

Product #

Extraction Tool	0638132700
FineAdjust™	0639019800
Applicator for	

3.96mm Pitch Crimp Terminal, 20-26 AWG	
FineAdjust™ Applicator for 3.96mm Pitch Crimp Terminal, 24 AWG	<u>0639019900</u>
T2 Terminator for 3.96mm Pitch Crimp Terminal, 20-26 AWG	<u>0639119800</u>
T2 Terminator for 3.96mm Pitch Crimp Terminal, 24 AWG	<u>0639119900</u>
Hand Crimp Tool for Wire-to-Wire and Wire-to-Board Terminals	<u>0638235300</u>
Hand Crimp Tool for Wire-to-Wire and Wire-to-Board Terminals	<u>0638235400</u>
Japan	
Description	Product #
Applicator for M21 1A Bench Press, 16-26 AWG Wire	<u>0573473000</u>
Side-Feed Applicator For Full-Auto Machine	<u>0573473200</u>
Extraction Tool	<u>0573476000</u>

This document was generated on 09/10/2015

PLEASE CHECK WWW.MOLEX.COM FOR LATEST PART INFORMATION