

PLEASE CHECK WWW.MOLEX.COM FOR LATEST PART INFORMATION

Part Number: **0505988100**
Status: **Active**
Description: 3.96mm Pitch Wire-to-Wire and 6.50mm Pitch Wire-to-Board Crimp Terminal, Female, 20-26 AWG, Bag

Documents:

[Drawing \(PDF\)](#)
[Product Specification PS-51138-002 \(PDF\)](#)
[Product Specification PS-51142-002 \(PDF\)](#)
[Product Specification PS-51142-003 \(PDF\)](#)
[RoHS Certificate of Compliance \(PDF\)](#)

General

Product Family	Crimp Terminals
Series	<u>50598</u>
Application	Power
Crimp Quality Equipment	Yes
Packaging Alternative	<u>50598-8000</u> (Reel)
Product Name	N/A
UPC	800753366596

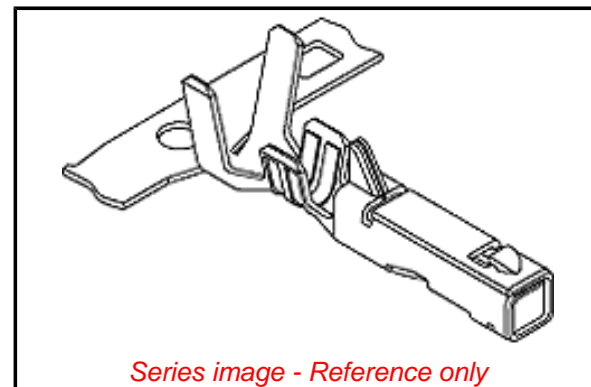
Physical

Gender	Female
Material - Metal	Copper
Material - Plating Mating	Tin
Material - Plating Termination	Tin
Net Weight	246.300/mg
Packaging Type	Bag
Termination Interface: Style	Crimp or Compression
Wire Insulation Diameter	1.20-2.35mm
Wire Size AWG	20, 22, 24, 26
Wire Size mm ²	N/A

Material Info

Reference - Drawing Numbers

Product Specification	PS-51138-002, PS-51142-002, PS-51142-003, RPS-51142-001, RPS-51142-002, RPS-51142-003, RPS-51142-004, RPS-51142-005, RPS-51142-006, RPS-51142-007, RPS-51142-008, RPS-51142-010
Sales Drawing	SD-50598-8*00



Series image - Reference only

EU ELV

Not Relevant

EU RoHS

Compliant

China RoHS

REACH SVHC

Contains SVHC(2015 June 15): No

Halogen-Free

Status

Low-Halogen

Need more information on product environmental compliance?

Email productcompliance@molex.com
Please visit the [Contact Us](#) section for any non-product compliance questions.

China ROHS
ELV

Green Image
Not Relevant

Search Parts in this Series

50598 Series

Mates With

50599 Male Crimp Terminal, 50600 Male Crimp Terminal 20-26 AWG

Use With

51138 , 51142

Application Tooling | FAQ

Tooling specifications and manuals are found by selecting the products below. Crimp Height Specifications are then contained in the Application Tooling Specification document.

Global

Description	Product #
Extraction Tool	<u>0638132700</u>
Hand Crimp Tool for Wire-to-Wire	<u>0638235300</u>

and Wire-to-Board
Terminals
Hand Crimp Tool 0638235400
for Wire-to-Wire
and Wire-to-Board
Terminals

Japan

Description	Product #
Hand Crimper - UL1007	<u>0573475000</u>
Hand Crimper - UL1015	<u>0573475100</u>
Extraction Tool	<u>0573476000</u>

This document was generated on 09/09/2015

PLEASE CHECK WWW.MOLEX.COM FOR LATEST PART INFORMATION