

High Voltage Goldmax, 300 Series, Conformally Coated, COG Dielectric, 500 – 3,000 VDC (Commercial Grade)

Overview

KEMET's 300 Series High Voltage Goldmax conformally coated radial leaded ceramic capacitors in COG dielectric feature a 125°C maximum operating temperature. The Electronics Industries Alliance (EIA) characterizes COG dielectric as a Class I "stable" material. Components of this classification are temperature compensating and are suited for resonant circuit applications or those where Q and stability of capacitance characteristics are required. COG exhibits no change in capacitance with respect to time and voltage and boasts a negligible change in capacitance with reference to ambient temperature. Capacitance change is limited to $\pm 30\text{ppm}/^\circ\text{C}$ from -55°C to $+125^\circ\text{C}$.

These devices exhibit low ESR at high frequencies and find conventional use as snubbers or filters in applications such as switching power supplies and lighting ballasts. Their exceptional performance at high frequencies has made them a preferred choice of design engineers worldwide. In addition to their use in power supplies, these capacitors are widely used in industries related to telecommunications, medical, military, aerospace, semiconductors and test/diagnostic equipment.



Ordering Information

C	320			C	332	J	C	G	5	T	A	7301
Ceramic	Style/Size			Specification/ Series	Capacitance Code (pF)	Capacitance Tolerance ¹	Rated Voltage (VDC)	Dielectric	Design	Lead Finish ²	Failure Rate	Packaging (C-Spec) ³
	315	324	335	C = Standard	First two digits represent significant figures. Third digit specifies number of zeros.	B = ± 0.1 pF	C = 500	G = COG	5 = Multilayer	T = 100% Matte Sn H = SnPb (60/40)	A = N/A	Blank = Bulk 7301 = 12" Reel 7303 = 12" Reel
	316	325	336			C = ± 0.25 pF	B = 630					
	317	326	340			D = ± 0.5 pF	D = 1,000					
	318	327	346			F = $\pm 1\%$	F = 1,500					
	320	328	350			G = $\pm 2\%$	G = 2,000					
	321	330	356			J = $\pm 5\%$	Z = 2,500					
	322	331				K = $\pm 10\%$	H = 3,000					
	323	333										

¹ Additional capacitance tolerance offerings may be available. Contact KEMET for details.

² Lead materials:

Standard: 100% matte tin (Sn) with nickel (Ni) underplate and steel core ("T" designation).

Alternative 1: 60% tin (Sn)/40% lead (Pb) finish with copper-clad steel core ("H" designation).

Alternative 2: 60% tin (Sn)/40% lead (Pb) finish with 100% copper core (available with "H" designation code with C-Spec). Contact KEMET for C-Spec details.

³ Tape and Reel:

C-Spec 7303: 18.0 mm minimum lead length. Not available for Size/Style C321 and C331.

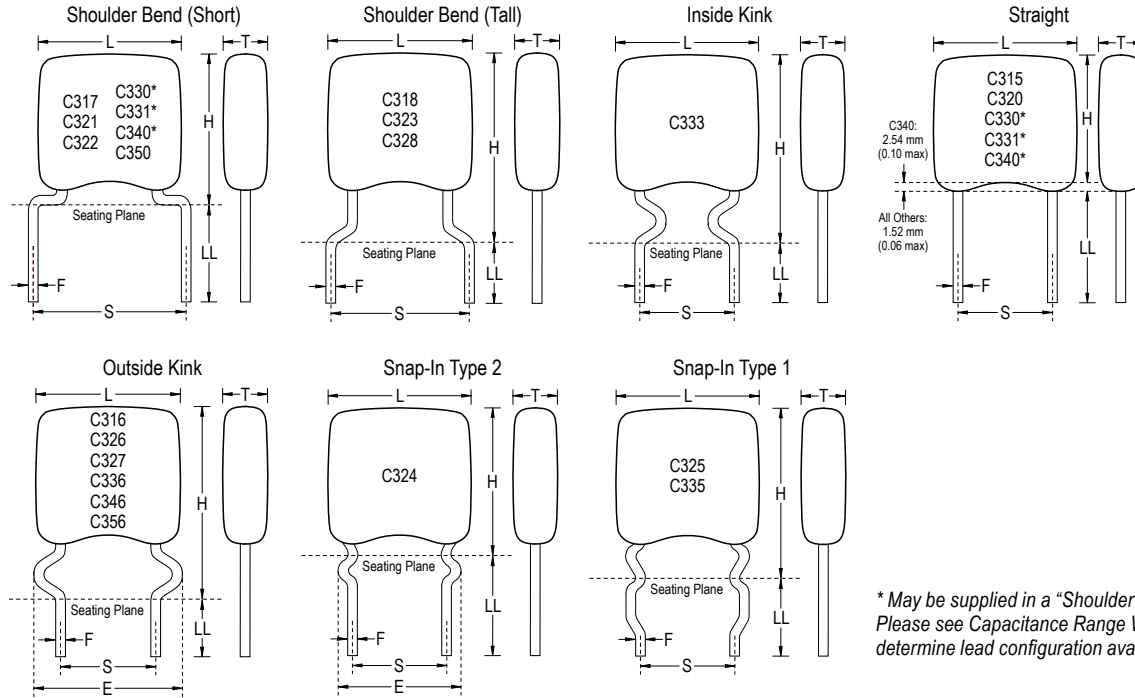
C-Spec 7301: 16.0 ± 0.5 mm lead length. Not available for Size/Style C321 and C331.

Ammo Pack:

C-Spec 7293: Ammo Pack option is not available for Size/Style C321 and C331.

For more information see Tape & Reel Packaging Information

Dimensions – Inches (Millimeters)



* May be supplied in a "Shoulder Bend" or "Straight" Lead configuration. Please see Capacitance Range Waterfall section of this document to determine lead configuration availability by capacitance value.

Series	Style/Size	S Lead Spacing Nominal	L Length Maximum	H Height Maximum	T Thickness Maximum	F Lead Diameter Nominal	LL Lead Length Minimum
C31X	315	0.100 (2.54)	0.150 (3.81)	0.130 (3.30)	0.120 (3.14)	0.020 (0.51)	0.276 (7.00)
	316		0.150 (3.81)	0.230 (5.84)	0.150 (3.81)		0.200 (5.08)
C32X	324	0.100 (2.54)	0.200 (5.08)	0.260 (6.60)	0.200 (5.08)		0.276 (7.00)
	320		0.200 (5.08)	0.230 (5.84)	0.150 (3.81)		0.276 (7.00)
C32X	326	0.200 (5.08)	0.200 (5.08)	0.350 (8.89)	0.200 (5.08)		0.200 (5.08)
	317		0.200 (5.08)	0.150 (3.81)	0.130 (3.30)		0.120 (3.14)
C31X	318	0.200 (5.08)		0.150 (3.81)	0.235 (5.97)		0.150 (3.81)
	321		0.250 (6.35)	0.200 (5.08)	0.260 (6.60)		0.200 (5.08)
C32X	322	0.200 (5.08)		0.200 (5.08)	0.230 (5.84)		0.150 (3.81)
	323		0.200 (5.08)	0.300 (7.62)	0.150 (3.81)		0.276 (7.00)
	325		0.200 (5.08)	0.320 (8.13)	0.200 (5.08)	0.276 (7.00)	
	328		0.200 (5.08)	0.325 (8.26)	0.200 (5.08)	0.276 (7.00)	
	327		0.200 (5.08)	0.350 (8.89)	0.200 (5.08)	0.200 (5.08)	
C33X	330	0.250 (6.35)	0.300 (7.62)	0.360 (9.14)	0.200 (5.08)	0.276 (7.00)	
	331		0.300 (7.62)	0.360 (9.14)	0.250 (6.35)	0.276 (7.00)	
	333	0.200 (5.08)	0.300 (7.62)	0.420 (10.67)	0.200 (5.08)	0.276 (7.00)	
	335		0.300 (7.62)	0.420 (10.67)	0.250 (6.35)	0.276 (7.00)	
C34X	340	0.400 (10.16)	0.400 (10.16)	0.460 (11.68)	0.270 (6.85)	0.276 (7.00)	
	346		0.400 (10.16)	0.590 (14.97)	0.270 (6.85)	0.200 (5.08)	
C35X	350	0.400 (10.16)	0.500 (12.70)	0.560 (14.22)	0.270 (6.85)	0.276 (7.00)	
	356		0.500 (12.70)	0.670 (17.02)	0.270 (6.85)	0.200 (5.08)	

Benefits

- Radial leaded form factor
- Conformally coated
- 0.100", 0.200", 0.250" and 0.400" lead spacing
- Operating temperature range of -55°C to +125°C
- Lead (Pb)-Free, RoHS and REACH compliant
- DC voltage ratings of 500 V, 630 V, 1 KV, 1.5 KV, 2 KV, 2.5 KV and 3 KV
- Capacitance offerings ranging from 1.0 pF up to 0.039 μ F
- Available capacitance tolerances of ± 0.1 pF, ± 0.25 pF, ± 0.5 pF, $\pm 1\%$, $\pm 2\%$, $\pm 5\%$ and $\pm 10\%$
- High temperature solder lead attach
- Extremely low ESR and ESL
- High thermal stability
- High ripple current capability
- No capacitance change with respect to applied rated DC voltage
- Negligible capacitance change with respect to temperature from -55°C to +125°C
- No capacitance decay with time
- Non-polar device, minimizing installation concerns
- 100% pure matte tin-plated lead finish allowing for excellent solderability
- SnPb-plated lead finish option available upon request (Sn60/Pb40)
- Encapsulation meets flammability standard UL 94V-0

Applications

Typical applications include switch mode power supplies (input filters, resonators, tank circuits, snubbed circuits, output filters), high voltage coupling and DC blocking, lighting ballasts, voltage multiplier circuits, DC/DC converters and coupling capacitors in \acute{C} uk converters. Markets include power supply, LCD fluorescent backlight ballasts, HID lighting, telecom equipment, industrial and medical equipment/control, LAN/WAN interface, analog and digital modems, and automotive.

Application Notes

These devices are not recommended for use in overmold applications and/or processes.

Qualification/Certification

Commercial Grade products are subject to internal qualification. Details regarding test methods and conditions are referenced in Table 2, Performance & Reliability.

Environmental Compliance

RoHS Compliant (excluding SnPb lead finish option).

Electrical Parameters/Characteristics

Item	Parameters/Characteristics
Operating Temperature Range	-55°C to +125°C
Capacitance Change with Reference to +25°C and 0 VDC Applied (TCC)	±30 ppm/°C
Aging Rate (Maximum % Cap Loss/Decade Hour)	0%
Dielectric Withstanding Voltage	150% of rated voltage for voltage rating of < 1,000 V 120% of rated voltage for voltage rating of ≥ 1,000 V (5 ±1 seconds and charge/discharge not exceeding 50 mA)
Dissipation Factor (DF) Maximum Limit at 25°C	0.1%
Insulation Resistance (IR) Limit at 25°C	1,000 megohm microfarads or 100 GΩ (500 VDC applied for 120 ±5 seconds at 25°C)

To obtain IR limit, divide $M\Omega \cdot \mu F$ value by the capacitance and compare to $G\Omega$ limit. Select the lower of the two limits.

Capacitance and dissipation factor (DF) measured under the following conditions:

1 MHz ±100 kHz and 1.0 V_{rms} ±0.2 V if capacitance ≤ 1,000 pF

1 kHz ±50 Hz and 1.0 V_{rms} ±0.2 V if capacitance > 1,000 pF

Note: When measuring capacitance it is important to ensure the set voltage level is held constant. The HP4284 and Agilent E4980 have a feature known as Automatic Level Control (ALC). The ALC feature should be switched to "ON."

Post Environmental Limits

High Temperature Life, Biased Humidity, Moisture Resistance					
Style/Size	Rated DC Voltage	Capacitance Value	Dissipation Factor (Maximum %)	Capacitance Shift	Insulation Resistance
C0G	All	All	0.5	0.3% or ±0.25 pF	10% of Initial Limit

Table 1A – C31X Style/Size, Capacitance Range Waterfall

C315, C316, C317, C318 Style/Size (0.100" and 0.200" Lead Spacing)				
Rated Voltage (VDC)		500	630	1000
Voltage Code		C	B	D
Capacitance	Capacitance Tolerance	Capacitance Code (Available Capacitance)		
1pF	B = ±0.1pF C = ±0.25pF D = ±0.5pF	109	109	109
1.1pF		119	119	119
1.2pF		129	129	129
1.3pF		139	139	139
1.5pF		159	159	159
1.6pF		169	169	169
1.8pF		189	189	189
2.0pF		209	209	209
2.2pF		229	229	229
2.4pF		249	249	249
2.7pF		279	279	279
3.0pF		309	309	309
3.3pF		339	339	339
3.6pF		369	369	369
3.9pF		399	399	399
4.3pF		439	439	439
4.7pF		479	479	479
5.1pF		519	519	519
5.6pF		569	569	569
6.2pF		629	629	629
6.8pF	689	689	689	
7.5pF	759	759	759	
8.2pF	829	829	829	
9.1pF	919	919	919	
10pF	F = ±1% G = ±2% J = ±5% K = ±10%	100	100	100
11pF		110	110	110
12pF		120	120	120
13pF		130	130	130
15pF		150	150	150
16pF		160	160	160
18pF		180	180	180
20pF		200	200	200
22pF		220	220	220
24pF		240	240	240
27pF		270	270	270
30pF		300	300	300
33pF		330	330	330
36pF		360	360	360
39pF		390	390	390
43pF		430	430	430
47pF		470	470	470
51pF		510	510	510
56pF		560	560	560
62pF		620	620	620
68pF	680	680	680	
75pF	750	750	750	
82pF	820	820	820	
91pF	910	910	910	
100pF	101	101	101	
110pF	111	111	111	
120pF	121	121	121	
130pF	131	131	131	
150pF	151	151	151	
160pF	161	161	161	
180pF	181	181	181	
200pF	201	201	201	
Rated Voltage (VDC)		500	630	1,000
Voltage Code		C	B	D

These products are protected under one or more of the following United States Patents and their non-US counterparts: US Pat. No. 7172985; U.S. Pat. No. 7670981.

Table 1A – C31X Style/Size, Capacitance Range Waterfall cont'd

C315, C316, C317, C318 Style/Size (0.100" and 0.200" Lead Spacing)				
Rated Voltage (VDC)		500	630	1000
Voltage Code		C	B	D
Capacitance	Capacitance Tolerance	Capacitance Code (Available Capacitance)		
220pF	F = ±1% G = ±2% J = ±5% K = ±10%	221	221	221
240pF		241	241	241
270pF		271	271	271
300pF		301	301	
330pF		331	331	
360pF		361	361	
390pF		391	391	
430pF		431	431	
470pF		471	471	
510pF		511	511	
560pF		561	561	
620pF		621		
680pF		681		
750pF		751		
820pF		821		
Rated Voltage (VDC)		500	630	1,000
Voltage Code		C	B	D

Table 1B – C32X Style/Size, Capacitance Range Waterfall

C320, C322, C323, C326, C328 Style/Size (0.100" and 0.200" Lead Spacing)						
Rated Voltage (VDC)		500	630	1000	1500	2000
Voltage Code		C	B	D	F	G
Capacitance	Capacitance Tolerance	Capacitance Code (Available Capacitance)				
1pF	B = ±0.1pF C = ±0.25pF D = ±0.5pF	109	109	109		
1.1pF		119	119	119		
1.2pF		129	129	129		
1.3pF		139	139	139		
1.5pF		159	159	159		
1.6pF		169	169	169		
1.8pF		189	189	189		
2.0pF		209	209	209		
2.2pF		229	229	229		
2.4pF		249	249	249		
2.7pF		279	279	279		
3.0pF		309	309	309		
3.3pF		339	339	339		
3.6pF		369	369	369		
3.9pF		399	399	399		
4.3pF		439	439	439		
4.7pF		479	479	479		
5.1pF		519	519	519		
5.6pF		569	569	569		
6.2pF		629	629	629		
6.8pF	689	689	689			
7.5pF	759	759	759			
8.2pF	829	829	829			
9.1pF	919	919	919			
10pF	100	100	100	100	100	
Rated Voltage (VDC)		500	630	1000	1500	2000
Voltage Code		C	B	D	F	G

These products are protected under one or more of the following United States Patents and their non-US counterparts: US Pat. No. 7172985; U.S. Pat. No. 7670981.

Table 1B – C32X Style/Size, Capacitance Range Waterfall cont'd

C320, C322, C323, C326, C328 Style/Size (0.100" and 0.200" Lead Spacing)						
Rated Voltage (VDC)		500	630	1000	1500	2000
Voltage Code		C	B	D	F	G
Capacitance	Capacitance Tolerance	Capacitance Code (Available Capacitance)				
11pF	F = ±1% G = ±2% J = ±5% K = ±10%	110	110	110	110	110
12pF		120	120	120	120	120
13pF		130	130	130	130	130
15pF		150	150	150	150	150
16pF		160	160	160	160	160
18pF		180	180	180	180	180
20pF		200	200	200	200	200
22pF		220	220	220	220	220
24pF		240	240	240	240	240
27pF		270	270	270	270	270
30pF		300	300	300	300	300
33pF		330	330	330	330	330
36pF		360	360	360	360	360
39pF		390	390	390	390	390
43pF		430	430	430	430	430
47pF		470	470	470	470	470
51pF		510	510	510	510	510
56pF		560	560	560	560	560
62pF		620	620	620	620	620
68pF		680	680	680	680	680
75pF		750	750	750	750	750
82pF		820	820	820	820	820
91pF		910	910	910	910	910
100pF		101	101	101	101	101
110pF		111	111	111	111	111
120pF		121	121	121	121	121
130pF		131	131	131	131	131
150pF		151	151	151	151	151
160pF		161	161	161	161	161
180pF		181	181	181	181	181
200pF		201	201	201	201	201
220pF		221	221	221	221	221
240pF		241	241	241	241	241
270pF		271	271	271	271	271
300pF		301	301	301	301	301
330pF		331	331	331	331	331
360pF		361	361	361	361	361
390pF		391	391	391	391	391
430pF		431	431	431	431	431
470pF		471	471	471	471	471
510pF		511	511	511	511	511
560pF		561	561	561	561	561
620pF	621	621	621	621	621	
680pF	681	681	681	681	681	
750pF	751	751	751	751		
820pF	821	821	821	821		
910pF	911	911	911	911		
1000pF	102	102	102	102		
1100pF	112	112	112	112		
1200pF	122	122	122	122		
1300pF	132	132	132			
1500pF	152	152	152			
1600pF	162	162	162			
1800pF	182	182	182			
2000pF	202	202	202			
2200pF	222	222	222			
Rated Voltage (VDC)		500	630	1000	1500	2000
Voltage Code		C	B	D	F	G

These products are protected under one or more of the following United States Patents and their non-US counterparts: US Pat. No. 7172985; U.S. Pat. No. 7670981.

Table 1B – C32X Style/Size, Capacitance Range Waterfall cont'd

C320, C322, C323, C326, C328 Style/Size (0.100" and 0.200" Lead Spacing)						
Rated Voltage (VDC)		500	630	1000	1500	2000
Voltage Code		C	B	D	F	G
Capacitance	Capacitance Tolerance	Capacitance Code (Available Capacitance)				
2400pF	F = ±1% G = ±2% J = ±5% K = ±10%	242	242	242		
2700pF		272	272	272		
3000pF		302	302			
3300pF		332	332			
3600pF		362	362			
3900pF		392	392			
4300pF		432	432			
4700pF		472	472			
5100pF		512	512			
5600pF		562	562			
6200pF		622	622			
6800pF		682	682			
7500pF		752				
8200pF		822				
Rated Voltage (VDC)		500	630	1000	1500	2000
Voltage Code		C	B	D	F	G

Table 1C – C32X Style/Size, Capacitance Range Waterfall

C321, C324, C325, C327 Style/Size (0.100", 0.200" & 0.250" Lead Spacing)						
Rated Voltage (VDC)		500	630	1000	1500	2000
Voltage Code		C	B	D	F	G
Capacitance	Capacitance Tolerance	Capacitance Code (Available Capacitance)				
10pF	F = ±1% G = ±2% J = ±5% K = ±10%	100	100	100	100	100
11pF		110	110	110	110	110
12pF		120	120	120	120	120
13pF		130	130	130	130	130
15pF		150	150	150	150	150
16pF		160	160	160	160	160
18pF		180	180	180	180	180
20pF		200	200	200	200	200
22pF		220	220	220	220	220
24pF		240	240	240	240	240
27pF		270	270	270	270	270
30pF		300	300	300	300	300
33pF		330	330	330	330	330
36pF		360	360	360	360	360
39pF		390	390	390	390	390
43pF		430	430	430	430	430
47pF		470	470	470	470	470
51pF		510	510	510	510	510
56pF		560	560	560	560	560
62pF		620	620	620	620	620
68pF		680	680	680	680	680
75pF		750	750	750	750	750
82pF		820	820	820	820	820
91pF		910	910	910	910	910
100pF	101	101	101	101	101	
110pF	111	111	111	111	111	
120pF	121	121	121	121	121	
Rated Voltage (VDC)		500	630	1000	1500	2000
Voltage Code		C	B	D	F	G

These products are protected under one or more of the following United States Patents and their non-US counterparts: US Pat. No. 7172985; U.S. Pat. No. 7670981.

Table 1C – C32X Style/Size, Capacitance Range Waterfall cont'd

C321, C324, C325, C327 Style/Size (0.100", 0.200" & 0.250" Lead Spacing)						
Rated Voltage (VDC)		500	630	1000	1500	2000
Voltage Code		C	B	D	F	G
Capacitance	Capacitance Tolerance	Capacitance Code (Available Capacitance)				
130pF	F = ±1% G = ±2% J = ±5% K = ±10%	131	131	131	131	131
150pF		151	151	151	151	151
160pF		161	161	161	161	161
180pF		181	181	181	181	181
200pF		201	201	201	201	201
220pF		221	221	221	221	221
240pF		241	241	241	241	241
270pF		271	271	271	271	271
300pF		301	301	301	301	301
330pF		331	331	331	331	331
360pF		361	361	361	361	361
390pF		391	391	391	391	391
430pF		431	431	431	431	431
470pF		471	471	471	471	471
510pF		511	511	511	511	511
560pF		561	561	561	561	561
620pF		621	621	621	621	621
680pF		681	681	681	681	681
750pF		751	751	751	751	
820pF		821	821	821	821	
910pF		911	911	911	911	
1000pF		102	102	102	102	
1100pF		112	112	112	112	
1200pF		122	122	122	122	
1300pF		132	132	132		
1500pF		152	152	152		
1600pF		162	162	162		
1800pF		182	182	182		
2000pF		202	202	202		
2200pF		222	222	222		
2400pF		242	242	242		
2700pF		272	272	272		
3000pF		302	302			
3300pF	332	332				
3600pF	362	362				
3900pF	392	392				
4300pF	432	432				
4700pF	472	472				
5100pF	512	512				
5600pF	562	562				
6200pF	622	622				
6800pF	682	682				
7500pF	752					
8200pF	822					
Rated Voltage (VDC)		500	630	1000	1500	2000
Voltage Code		C	B	D	F	G

These products are protected under one or more of the following United States Patents and their non-US counterparts: US Pat. No. 7172985; U.S. Pat. No. 7670981.

Table 1D – C33X Style/Size, Capacitance Range Waterfall

C330, C331, C333, C335, C336 Style/Size (0.200" and 0.250" Lead Spacing)									
Rated Voltage (VDC)		500	630	1000	1500	2000	2500	3000	
Voltage Code		C	B	D	F	G	Z	H	
Capacitance	Capacitance Tolerance	Capacitance Code (Available Capacitance)							
10pF		100*	100*	100*	100*	100*	100	100	
11pF		110*	110*	110*	110*	110*	110	110	
12pF		120*	120*	120*	120*	120*	120	120	
13pF		130*	130*	130*	130*	130*	130	130	
15pF		150*	150*	150*	150*	150*	150	150	
16pF		160*	160*	160*	160*	160*	160	160	
18pF		180*	180*	180*	180*	180*	180	180	
20pF		200*	200*	200*	200*	200*	200	200	
22pF		220*	220*	220*	220*	220*	220	220	
24pF		240*	240*	240*	240*	240*	240	240	
27pF		270*	270*	270*	270*	270*	270	270	
30pF		300*	300*	300*	300*	300*	300	300	
33pF		330*	330*	330*	330*	330*	330	330	
36pF		360*	360*	360*	360*	360*	360	360	
39pF		390*	390*	390*	390*	390*	390	390	
43pF		430*	430*	430*	430*	430*	430	430	
47pF		470*	470*	470*	470*	470*	470	470	
51pF		510*	510*	510*	510*	510*	510	510	
56pF		560*	560*	560*	560*	560*	560	560	
62pF		620*	620*	620*	620*	620*	620	620	
68pF		680*	680*	680*	680*	680*	680	680	
75pF		750*	750*	750*	750*	750*	750	750	
82pF		820*	820*	820*	820*	820*	820	820	
91pF		910*	910*	910*	910*	910*	910	910	
100pF		101*	101*	101*	101*	101*	101	101	
110pF		111*	111*	111*	111*	111*	111	111	
120pF		121*	121*	121*	121*	121*	121	121	
130pF		131*	131*	131*	131*	131*	131	131	
150pF		151*	151*	151*	151*	151*	151	151	
160pF		161*	161*	161*	161*	161*	161	161	
180pF		181*	181*	181*	181*	181*	181	181	
200pF		201*	201*	201*	201*	201*	201	201	
220pF		221*	221*	221*	221*	221*	221	221	
240pF		241*	241*	241*	241*	241*	241	241	
270pF		271*	271*	271*	271*	271*	271	271	
300pF		301*	301*	301*	301*	301*	301	301	
330pF		331*	331*	331*	331*	331*	331	331	
360pF		361*	361*	361*	361*	361*	361	361	
390pF		391*	391*	391*	391*	391*	391	391	
430pF		431*	431*	431*	431*	431*	431	431	
470pF		471*	471*	471*	471*	471*	471	471	
510pF		511*	511*	511*	511*	511*	511	511	
560pF		561*	561*	561*	561*	561*	561	561	
620pF		621*	621*	621*	621*	621*	621	621	
680pF		681*	681*	681*	681*	681*	681	681	
750pF		751*	751*	751*	751*	751	751		
820pF		821*	821*	821*	821*	821	821		
910pF		911*	911*	911*	911*	911	911		
1000pF		102*	102*	102*	102*	102	102		
1100pF		112*	112*	112*	112*	112	112		
1200pF		122*	122*	122*	122*	122	122		
1300pF		132*	132*	132*	132	132	132		
1500pF		152*	152*	152*	152	152	152		
1600pF		162*	162*	162*	162	162	162		
1800pF		182*	182*	182*	182	182	182		
2000pF		202*	202*	202*	202	202			
Rated Voltage (VDC)		500	630	1000	1500	2000	2500	3000	
Voltage Code		C	B	D	F	G	Z	H	

* Style/Size C330 and C331 are supplied in a "Shoulder-Bend" lead configuration.

These products are protected under one or more of the following United States Patents and their non-US counterparts: US Pat. No. 7172985; U.S. Pat. No. 7670981.

Table 1D – C33X Style/Size (0.200" Lead Spacing), Capacitance Range Waterfall cont'd

C330, C331, C333, C335, C336 Style/Size (0.200" and 0.250" Lead Spacing)							
Rated Voltage (VDC)	500	630	1000	1500	2000	2500	3000
Voltage Code	C	B	D	F	G	Z	H
Capacitance	Capacitance Tolerance	Capacitance Code (Available Capacitance)					
2200pF	F = ±1% G = ±2% J = ±5% K = ±10%	222*	222*	222*	222	222	
2400pF		242*	242*	242*	242	242	
2700pF		272*	272*	272*	272	272	
3000pF		302*	302*	302	302	302	
3300pF		332*	332*	332	332		
3600pF		362*	362*	362	362		
3900pF		392*	392*	392	392		
4300pF		432*	432*	432	432		
4700pF		472*	472*	472	472		
5100pF		512*	512*	512	512		
5600pF		562*	562*	562	562		
6200pF		622*	622*	622			
6800pF		682*	682*	682			
7500pF		752*	752	752			
8200pF		822*	822	822			
9100pF		912	912	912			
0.01μF		103	103	103			
0.012μF		123	123	123			
0.015μF		153	153				
0.018μF		183	183				
0.022μF	223						
0.027μF	273						
0.033μF	333						
Rated Voltage (VDC)	500	630	1000	1500	2000	2500	3000
Voltage Code	C	B	D	F	G	Z	H

* Style/Size C330 and C331 are supplied in a "Shoulder-Bend" lead configuration.

Table 1E – C34X Style/Size, Capacitance Range Waterfall

C340, C346 Style/Size (0.200" Lead Spacing)								
Rated Voltage (VDC)	500	630	1000	1500	2000	2500	3000	
Voltage Code	C	B	D	F	G	Z	H	
Capacitance	Capacitance Tolerance	Capacitance Code (Available Capacitance)						
10pF	F = ±1% G = ±2% J = ±5% K = ±10%	100*	100*	100*	100*	100*	100	100
11pF		110*	110*	110*	110*	110*	110	110
12pF		120*	120*	120*	120*	120*	120	120
13pF		130*	130*	130*	130*	130*	130	130
15pF		150*	150*	150*	150*	150*	150	150
16pF		160*	160*	160*	160*	160*	160	160
18pF		180*	180*	180*	180*	180*	180	180
20pF		200*	200*	200*	200*	200*	200	200
22pF		220*	220*	220*	220*	220*	220	220
24pF		240*	240*	240*	240*	240*	240	240
27pF		270*	270*	270*	270*	270*	270	270
30pF		300*	300*	300*	300*	300*	300	300
33pF		330*	330*	330*	330*	330*	330	330
36pF		360*	360*	360*	360*	360*	360	360
Rated Voltage (VDC)		500	630	1000	1500	2000	2500	3000
Voltage Code		C	B	D	F	G	Z	H

* Style/Size C340 is supplied in a "Shoulder-Bend" lead configuration.

These products are protected under one or more of the following United States Patents and their non-US counterparts: US Pat. No. 7172985; U.S. Pat. No. 7670981.

Table 1E – C34X Style/Size, Capacitance Range Waterfall cont'd

C340, C346 Style/Size (0.200" Lead Spacing)								
Rated Voltage (VDC)		500	630	1000	1500	2000	2500	3000
Voltage Code		C	B	D	F	G	Z	H
Capacitance	Capacitance Tolerance	Capacitance Code (Available Capacitance)						
39pF	F = ±1% G = ±2% J = ±5% K = ±10%	390*	390*	390*	390*	390*	390	390
43pF		430*	430*	430*	430*	430*	430	430
47pF		470*	470*	470*	470*	470*	470	470
51pF		510*	510*	510*	510*	510*	510	510
56pF		560*	560*	560*	560*	560*	560	560
62pF		620*	620*	620*	620*	620*	620	620
68pF		680*	680*	680*	680*	680*	680	680
75pF		750*	750*	750*	750*	750*	750	750
82pF		820*	820*	820*	820*	820*	820	820
91pF		910*	910*	910*	910*	910*	910	910
100pF		101*	101*	101*	101*	101*	101	101
110pF		111*	111*	111*	111*	111*	111	111
120pF		121*	121*	121*	121*	121*	121	121
130pF		131*	131*	131*	131*	131*	131	131
150pF		151*	151*	151*	151*	151*	151	151
160pF		161*	161*	161*	161*	161*	161	161
180pF		181*	181*	181*	181*	181*	181	181
200pF		201*	201*	201*	201*	201*	201	201
220pF		221*	221*	221*	221*	221*	221	221
240pF		241*	241*	241*	241*	241*	241	241
270pF		271*	271*	271*	271*	271*	271	271
300pF		301*	301*	301*	301*	301*	301	301
330pF		331*	331*	331*	331*	331*	331	331
360pF		361*	361*	361*	361*	361*	361	361
390pF		391*	391*	391*	391*	391*	391	391
430pF		431*	431*	431*	431*	431*	431	431
470pF		471*	471*	471*	471*	471*	471	471
510pF		511*	511*	511*	511*	511*	511	511
560pF		561*	561*	561*	561*	561*	561	561
620pF		621*	621*	621*	621*	621*	621	621
680pF		681*	681*	681*	681*	681*	681	681
750pF		751*	751*	751*	751*	751	751	
820pF		821*	821*	821*	821*	821	821	
910pF		911*	911*	911*	911*	911	911	
1000pF		102*	102*	102*	102*	102	102	
1100pF		112*	112*	112*	112*	112	112	
1200pF		122*	122*	122*	122*	122	122	
1300pF		132*	132*	132*	132	132	132	
1500pF		152*	152*	152*	152	152	152	
1600pF		162*	162*	162*	162	162	162	
1800pF		182*	182*	182*	182	182	182	
2000pF		202*	202*	202*	202	202		
2200pF		222*	222*	222*	222	222		
2400pF		242*	242*	242*	242	242		
2700pF		272*	272*	272*	272	272		
3000pF		302*	302*	302	302	302		
3300pF		332*	332*	332	332			
3600pF		362*	362*	362	362			
3900pF	392*	392*	392	392				
4300pF	432*	432*	432	432				
4700pF	472*	472*	472	472				
5100pF	512*	512*	512	512				
5600pF	562*	562*	562	562				
6200pF	622*	622*	622					
6800pF	682*	682*	682					
Rated Voltage (VDC)		500	630	1000	1500	2000	2500	3000
Voltage Code		C	B	D	F	G	Z	H

* Style/Size C340 is supplied in a "Shoulder-Bend" lead configuration. .

These products are protected under one or more of the following United States Patents and their non-US counterparts: US Pat. No. 7172985; U.S. Pat. No. 7670981.

Table 1E – C34X Style/Size, Capacitance Range Waterfall cont'd

C340, C346 Style/Size (0.200" Lead Spacing)							
Rated Voltage (VDC)	500	630	1000	1500	2000	2500	3000
Voltage Code	C	B	D	F	G	Z	H
Capacitance	Capacitance Tolerance	Capacitance Code (Available Capacitance)					
7500pF	F = ±1% G = ±2% J = ±5% K = ±10%	752*	752	752			
8200pF		822*	822	822			
9100pF		912	912	912			
0.01µF		103	103	103			
0.012µF		123	123	123			
0.015µF		153	153				
0.018µF		183	183				
0.022µF		223					
0.027µF		273					
0.033µF		333					
Rated Voltage (VDC)	500	630	1000	1500	2000	2500	3000
Voltage Code	C	B	D	F	G	Z	H

* Style/Size C340 is supplied in a "Shoulder-Bend" lead configuration. .

Table 1F – C35X Style/Size, Capacitance Range Waterfall

C350, C356 Style/Size (0.400" Lead Spacing)							
Rated Voltage (VDC)	500	630	1000	1500	2000	2500	3000
Voltage Code	C	B	D	F	G	Z	H
Capacitance	Capacitance Tolerance	Capacitance Code (Available Capacitance)					
10pF	F = ±1% G = ±2% J = ±5% K = ±10%	100	100	100	100	100	100
11pF		110	110	110	110	110	110
12pF		120	120	120	120	120	120
13pF		130	130	130	130	130	130
15pF		150	150	150	150	150	150
16pF		160	160	160	160	160	160
18pF		180	180	180	180	180	180
20pF		200	200	200	200	200	200
22pF		220	220	220	220	220	220
24pF		240	240	240	240	240	240
27pF		270	270	270	270	270	270
30pF		300	300	300	300	300	300
33pF		330	330	330	330	330	330
36pF		360	360	360	360	360	360
39pF		390	390	390	390	390	390
43pF		430	430	430	430	430	430
47pF		470	470	470	470	470	470
51pF		510	510	510	510	510	510
56pF		560	560	560	560	560	560
62pF		620	620	620	620	620	620
68pF	680	680	680	680	680	680	
75pF	750	750	750	750	750	750	
82pF	820	820	820	820	820	820	
91pF	910	910	910	910	910	910	
100pF	101	101	101	101	101	101	
110pF	111	111	111	111	111	111	
120pF	121	121	121	121	121	121	
130pF	131	131	131	131	131	131	
150pF	151	151	151	151	151	151	
Rated Voltage (VDC)	500	630	1000	1500	2000	2500	3000
Voltage Code	C	B	D	F	G	Z	H

These products are protected under one or more of the following United States Patents and their non-US counterparts: US Pat. No. 7172985; U.S. Pat. No. 7670981.

Table 1F – C35X Style/Size, Capacitance Range Waterfall cont'd

C350, C356 Style/Size (0.400" Lead Spacing)								
Rated Voltage (VDC)		500	630	1000	1500	2000	2500	3000
Voltage Code		C	B	D	F	G	Z	H
Capacitance	Capacitance Tolerance	Capacitance Code (Available Capacitance)						
160pF	F = ±1% G = ±2% J = ±5% K = ±10%	161	161	161	161	161	161	161
180pF		181	181	181	181	181	181	181
200pF		201	201	201	201	201	201	201
220pF		221	221	221	221	221	221	221
240pF		241	241	241	241	241	241	241
270pF		271	271	271	271	271	271	271
300pF		301	301	301	301	301	301	301
330pF		331	331	331	331	331	331	331
360pF		361	361	361	361	361	361	361
390pF		391	391	391	391	391	391	391
430pF		431	431	431	431	431	431	431
470pF		471	471	471	471	471	471	471
510pF		511	511	511	511	511	511	511
560pF		561	561	561	561	561	561	561
620pF		621	621	621	621	621	621	621
680pF		681	681	681	681	681	681	681
750pF		751	751	751	751	751	751	751
820pF		821	821	821	821	821	821	821
910pF		911	911	911	911	911	911	911
1000pF		102	102	102	102	102	102	102
1100pF		112	112	112	112	112	112	
1200pF		122	122	122	122	122	122	
1300pF		132	132	132	132	132	132	
1500pF		152	152	152	152	152	152	
1600pF		162	162	162	162	162	162	
1800pF		182	182	182	182	182	182	
2000pF		202	202	202	202	202	202	
2200pF		222	222	222	222	222	222	
2400pF		242	242	242	242	242		
2700pF		272	272	272	272	272		
3000pF		302	302	302	302	302		
3300pF		332	332	332	332	332		
3600pF		362	362	362	362	362		
3900pF		392	392	392	392	392		
4300pF		432	432	432	432			
4700pF		472	472	472	472			
5100pF		512	512	512	512			
5600pF		562	562	562	562			
6200pF		622	622	622	622			
6800pF		682	682	682	682			
7500pF	752	752	752					
8200pF	822	822	822					
9100pF	912	912	912					
0.01µF	103	103	103					
0.012µF	123	123	123					
0.015µF	153	153	153					
0.018µF	183	183						
0.022µF	223	223						
0.027µF	273	273						
0.033µF	333							
0.039µF	393							
Rated Voltage (VDC)		500	630	1000	1500	2000	2500	3000
Voltage Code		C	B	D	F	G	Z	H

These products are protected under one or more of the following United States Patents and their non-US counterparts: US Pat. No. 7172985; U.S. Pat. No. 7670981.

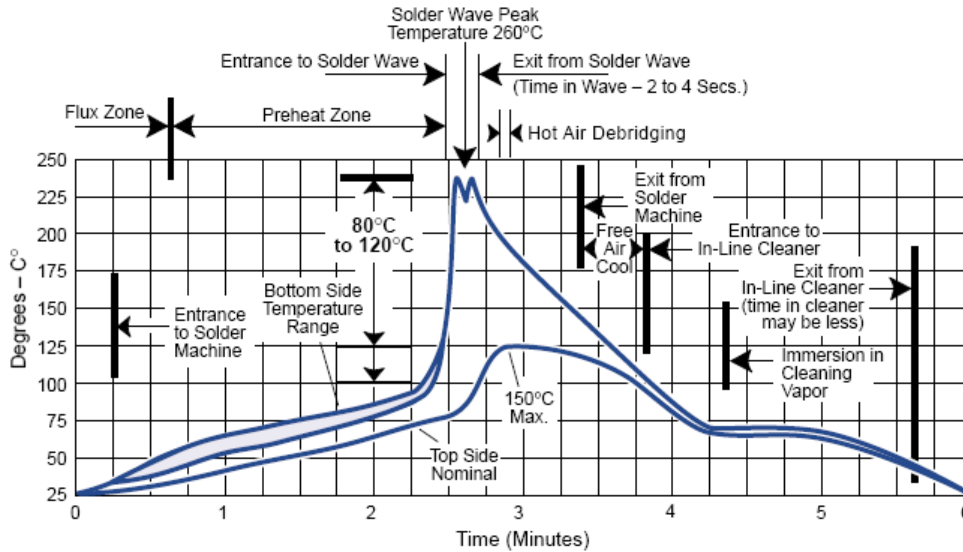
Soldering Process

Recommended Soldering Method:

- Solder Wave
- Hand Soldering (Manual)

Recommended Soldering Profile:

- Optimum Wave Solder Profile



Mounting

All enclosed capacitors will pass the Resistance to Soldering Heat of MIL-STD-202, Method 210, Condition C. This test simulates wave solder topside board mount product. This demonstration of resistance to solder heat is in accordance with what is believed to be the industry standard. More severe treatment must be considered reflective of an improper soldering process. The above figure is a recommended solder wave profile for both axial and radial leaded ceramic capacitors.

- Hand Soldering (Manual)

Manual Solder Profile with Pre -heating

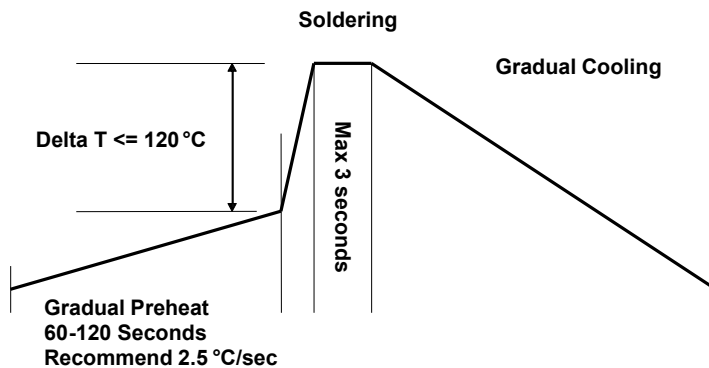


Table 2 – Performance & Reliability: Test Methods and Conditions

Stress	Reference	Test or Inspection Method
Solderability	J-STD-002	Magnification 50X. Conditions: a) Method A, at 235°C, Category 3
Temperature Cycling	JESD22 Method JA-104	1,000 cycles (-55°C to +125°C), measurement at 24 hours +/- 4 hours after test conclusion.
Biased Humidity	MIL-STD-202 Method 103	Load humidity, 1,000 hours 85°C/85%RH and 200Vdc maximum. Add 100 K ohm resistor. Measurement at 24 hours +/- 4 hours after test conclusion. Low volt humidity, 1,000 hours 85°C/85%RH and 1.5 V. Add 100 K ohm resistor. Measurement at 24 hours +/- 4 hours after test conclusion.
Moisture Resistance	MIL-STD-202 Method 106	t = 24 hours/cycle. Steps 7a & 7b not required. Unpowered. Measurement at 24 hours +/- 4 hours after test conclusion.
Thermal Shock	MIL-STD-202 Method 107	-55°C to +125°C. Note: Number of cycles required = 300. Maximum transfer time = 20 seconds. Dwell time -15 minutes. Air-Air.
High Temperature Life	MIL-STD-202 Method 108 /EIA -198	1,000 hours at 125°C with 1.2 X rated voltage applied.
Storage Life	MIL-STD-202 Method 108	125°C, 0 VDC for 1,000 hours.
Vibration	MIL-STD-202 Method 204	5 g for 20 minutes, 12 cycles each of 3 orientations. Note: Use 8"X5" PCB .031" thick 7 secure points on one long side and 2 secure points at corners of opposite sides. Parts mounted within 2" from any secure point. Test from 10-2000 Hz.
Resistance to Soldering Heat	MIL-STD-202 Method 210	Condition B. No preheat of samples. Note: single wave solder – procedure 2.
Terminal Strength	MIL-STD-202 Method 211	Conditions A (454g), Condition C (227g)
Mechanical Shock	MIL-STD-202 Method 213	Figure 1 of Method 213, Condition C.
Resistance to Solvents	MIL-STD-202 Method 215	Add aqueous wash chemical – OKEM Clean or equivalent.

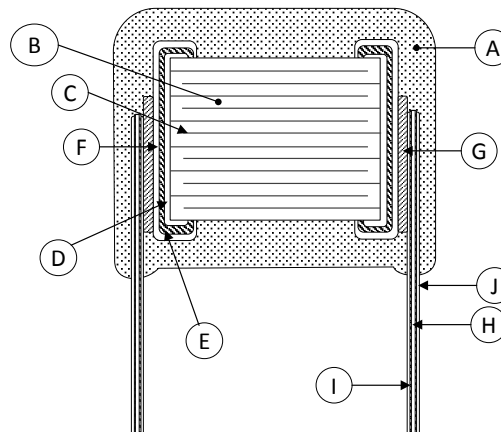
Storage & Handling

The un-mounted storage life of a leaded ceramic capacitor is dependent upon storage and atmospheric conditions as well as packaging materials. While the ceramic chips enveloped under the epoxy coating themselves are quite robust in most environments, solderability of the wire lead on the final epoxy-coated product will be degraded by exposure to high temperatures, high humidity, corrosive atmospheres, and long term storage. In addition, packaging materials will be degraded by high temperature and exposure to direct sunlight – reels may soften or warp, and tape peel force may increase.

KEMET recommends storing the un-mounted capacitors in their original packaging, in a location away from direct sunlight, and where the temperature and relative humidity do not exceed 40 degrees centigrade and 70% respectively. For optimum solderability, capacitor stock should be used promptly, preferably within 18 months of receipt. For applications requiring pre-tinning of components, storage life may be extended if solderability is verified. Before cleaning, bonding or molding these devices, it is important to verify that your process does not affect product quality and performance. KEMET recommends testing and evaluating the performance of a cleaned, bonded or molded product prior to implementing and/or qualifying any of these processes.

Construction

Reference	Item		Material	
A	Encapsulation		Epoxy	
B	Dielectric Material		CaZrO ₃	
C	Inner Electrode		Ni	
D	Chip Termination System	External Electrode	Cu	
E		Barrier Layer	Ni	
F		Finish Layer	Sn	
G	Lead Attach Solder		95Sn/5Ag	10Sn/88Pb/2Ag
H	Lead Wire	Core	Steel	
I		Barrier Layer	Ni	Cu
J		Finish Layer	Sn 100%	60Sn/40Pb



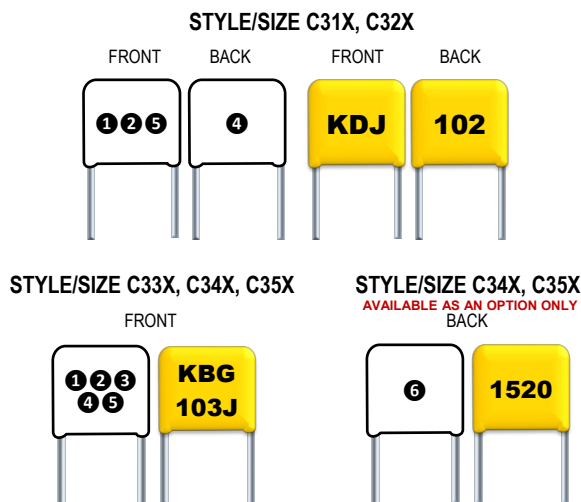
Note: Image is exaggerated in order to clearly identify all components of construction.

Packaging Quantities

Style/Size	Standard Bulk Quantity	Ammo Pack Quantity Maximum	Reel Quantity Maximum (12" Reel)	
315	500/Bag	2500	2500	
316				
317				
318				
320				
321		N/A	N/A	
322		2500	2500	2500
323				
324				
325				
326				
327	250/Bag	1500	1500	
328				
330		N/A	N/A	
331		1500		
333	100/Bag	1000	1000	
335				
336				
340	50/Bag	N/A	500	
346				
350	50/Bag	N/A	500	
356				

Capacitor Marking

These capacitors shall be stamped or laser marked with KEMET's trademark, rated voltage, rated capacitance and capacitance tolerance. Dielectric information will be included only when the body size of the component allows. Date code information is only available on C34X and C35X style/size components and only as an option. Marking will be supplied on one or both sides of the coated capacitor body. All marking shall be legible to allow for clear identification of the component. Marking appears in legible contrast. An example of the marking format and content is illustrated below.



Location Number	Description	Detail	
1	KEMET Trademark	K	
2	Rated Working DC Voltage	C = 500 B = 630 D = 1000 F = 1500	G = 2000 Z = 2500 H = 3000
3	Dielectric	G = C0G	
4	Rated Capacitance	First two digits are the significant figures of capacitance in Picofarads. The third digit indicates the additional number of zeros. The third digit is "8" when the capacitance value is less than 1.0pF and is "9" when the capacitance value is between 1.0pF and 9.9pF. (2200pF = 222; 0.5pF = 508; 2.2pF = 229)	
5	Capacitance Tolerance	B = ±0.10pF C = ±0.25pF D = ±0.5pF	F = ±1% G = ±2% J = ±5% K = ±10%
6	Date Code ¹ AVAILABLE AS AN OPTION ONLY	Date Code e.g., 1520	
		14	20
		Manufacturing Year: 15 = 2015	Manufacturing Week: 20 = Week 20 (of mfg. calendar year)

¹ To properly request the inclusion of the date code in the marking, ordering code C-SPEC 9207 must be added to the end of the ordering code.

Tape & Reel Packaging Information

KEMET offers standard reeling of Molded and Conformally Coated Radial Leaded Capacitors in accordance with EIA standard 468. Parts are taped to a tagboard carrier strip, and wound on a reel as shown in Figure 1. Kraft paper interleaving is inserted between the layers of capacitors on the reel. Ammopack is also available, with the same lead tape configuration and package quantities.

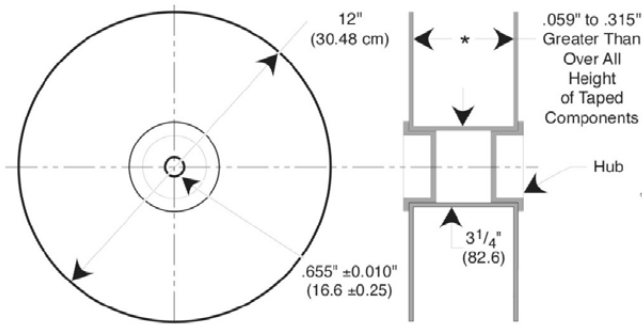


Figure 3: Standard Reel

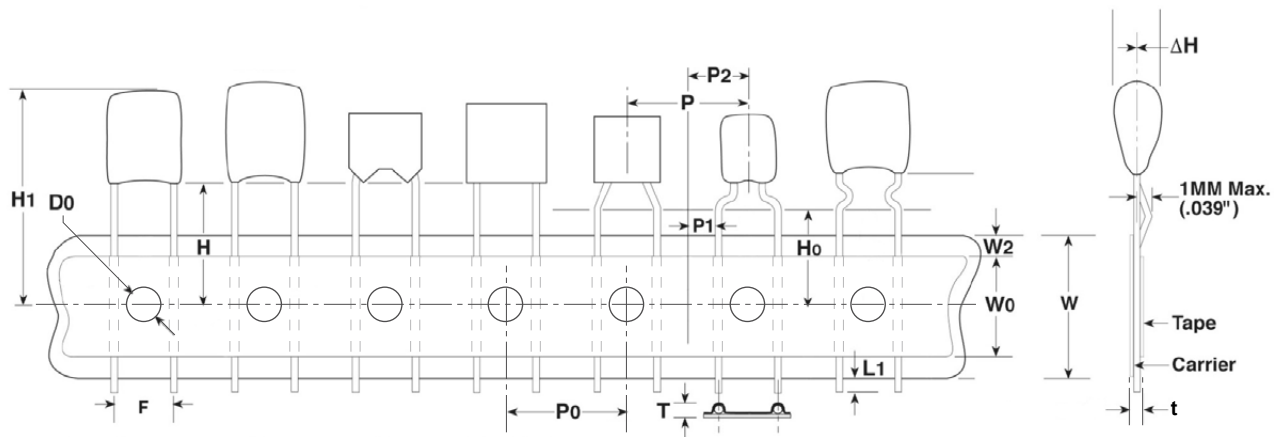
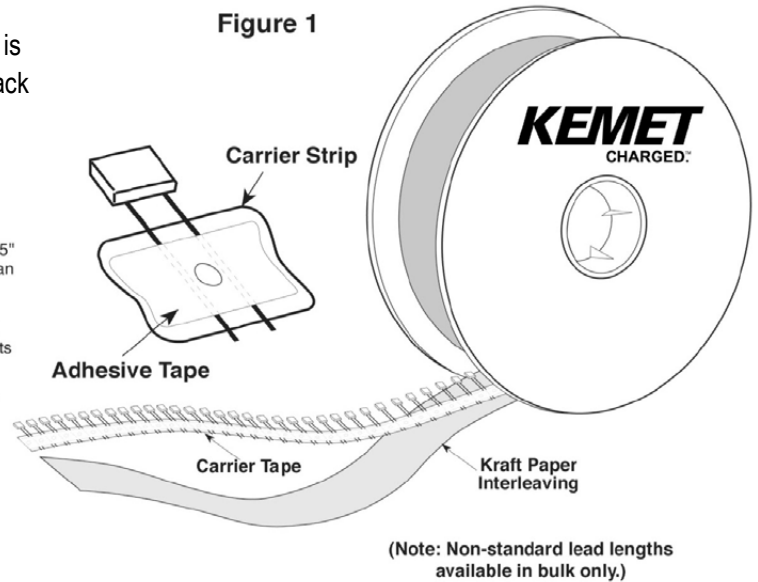


Figure 2: Lead Tape Configuration (See Table Below)

Ceramic Radial Tape and Reel Dimensions

Metric will govern

Constant Dimensions — Millimeters (Inches)								
D_0 ±0.2 (0.008)	P_0 ±0.3 (0.012)	ΔH ±0.2 (0.008)	L_1 Maximum	t ±0.2 (0.008)	T Maximum	W + 1.0/- 0.5 (+0.039/-0.020)	W_0 Minimum	W_2 Maximum
4.00 (0.157)	12.7 (0.500)	4.0 (0.157)	1.0 (0.039)	0.7 (0.051)	1.5 (0.059)	18.0 (0.709)	5.0 (0.197)	3.0 (0.118)

Ceramic Radial Tape and Reel Dimensions cont'd

Metric will govern

Variable Dimensions — Millimeters (Inches)					
F ±0.030 (0.78) Note 1	P ₁ ±0.030 (0.012) Note 1	P ±0.3 (0.012)	P ₂ ±1.3 (0.51)	H Minimum Note 2	H ₀ ±0.5 (0.630) Note 3
2.54 (0.100)	5.08 (0.200)	12.7 (0.500)	6.35 (0.250)	18.0 (0.709)	16.0 (0.024)
4.32 (0.170)	3.89 (0.153)	12.7 (0.500)	6.35 (0.250)		
5.08 (0.200)	3.81 (0.150)	12.7 (0.500)	6.35 (0.250)		
5.59 (0.220)	3.25 (0.128)	12.7 (0.500)	6.35 (0.250)		
6.98 (0.275)	2.54 (0.100)	12.7 (0.500)	6.35 (0.250)		
7.62 (0.300)	2.24 (0.088)	12.7 (0.500)	6.35 (0.250)		
9.52 (0.375)	7.62 (0.300)	12.7 (0.500)	6.35 (0.250)		
10.16 (0.400)	7.34 (0.290)	25.4 (1.000)	N/A		
12.06 (0.475)	6.35 (0.250)	25.4 (1.000)	N/A		
14.60 (0.575)	5.08 (0.200)	25.4 (1.000)	N/A		
17.14 (0.675)	3.81 (0.15)	25.4 (1.000)	N/A		

1. Measured at the egress from the carrier tape, on the component side.
2. Straight Lead configuration part types only.
3. Formed (bent) lead configuration part types only.

Symbol Reference Table	
D ₀	Sprocket Hole Diameter
P ₀	Sprocket Hole Pitch
P	Component Pitch
F	Lead Spacing
P ₁	Sprocket Hole Center to Lead Center
P ₂	Sprocket Hole Center To Component Center
H	Height to Seating Plane (Straight Leads Only)
H ₀	Height to Seating Plane (Formed Leads Only)
H ₁	Component Height Above Tape Center
ΔH	Component Alignment
L ₁	Lead Protrusion
t	Composite Tape Thickness
W	Carrier Tape Width
W ₀	Hold-Down Tape Width
W ₂	Hold-Down Tape Location

KEMET Corporation World Headquarters

2835 KEMET Way
Simpsonville, SC 29681

Mailing Address:
P.O. Box 5928
Greenville, SC 29606

www.kemet.com
Tel: 864-963-6300
Fax: 864-963-6521

Corporate Offices
Fort Lauderdale, FL
Tel: 954-766-2800

North America

Southeast

Lake Mary, FL
Tel: 407-855-8886

Northeast

Wilmington, MA
Tel: 978-658-1663

Central

Novi, MI
Tel: 248-306-9353

West

Milpitas, CA
Tel: 408-433-9950

Mexico

Guadalajara, Jalisco
Tel: 52-33-3123-2141

Europe

Southern Europe

Sasso Marconi, Italy
Tel: 39-051-939111

Skopje, Macedonia
Tel: 389-2-55-14-623

Central Europe

Landsberg, Germany
Tel: 49-8191-3350800

Kamen, Germany
Tel: 49-2307-438110

Northern Europe

Harlow, United Kingdom
Tel: 44-1279-460122

Espoo, Finland
Tel: 358-9-5406-5000

Asia

Northeast Asia

Hong Kong
Tel: 852-2305-1168

Shenzhen, China
Tel: 86-755-2518-1306

Beijing, China
Tel: 86-10-5877-1075

Shanghai, China
Tel: 86-21-6447-0707

Seoul, South Korea
Tel: 82-2-6294-0550

Taipei, Taiwan
Tel: 886-2-27528585

Southeast Asia

Singapore
Tel: 65-6701-8033

Penang, Malaysia
Tel: 60-4-6430200

Bangalore, India
Tel: 91-806-53-76817

Note: KEMET reserves the right to modify minor details of internal and external construction at any time in the interest of product improvement. KEMET does not assume any responsibility for infringement that might result from the use of KEMET Capacitors in potential circuit designs. KEMET is a registered trademark of KEMET Electronics Corporation.

Disclaimer

All product specifications, statements, information and data (collectively, the "Information") in this datasheet are subject to change. The customer is responsible for checking and verifying the extent to which the Information contained in this publication is applicable to an order at the time the order is placed.

All Information given herein is believed to be accurate and reliable, but it is presented without guarantee, warranty, or responsibility of any kind, expressed or implied.

Statements of suitability for certain applications are based on KEMET Electronics Corporation's ("KEMET") knowledge of typical operating conditions for such applications, but are not intended to constitute – and KEMET specifically disclaims – any warranty concerning suitability for a specific customer application or use. The Information is intended for use only by customers who have the requisite experience and capability to determine the correct products for their application. Any technical advice inferred from this Information or otherwise provided by KEMET with reference to the use of KEMET's products is given gratis, and KEMET assumes no obligation or liability for the advice given or results obtained.

Although KEMET designs and manufactures its products to the most stringent quality and safety standards, given the current state of the art, isolated component failures may still occur. Accordingly, customer applications which require a high degree of reliability or safety should employ suitable designs or other safeguards (such as installation of protective circuitry or redundancies) in order to ensure that the failure of an electrical component does not result in a risk of personal injury or property damage.

Although all product-related warnings, cautions and notes must be observed, the customer should not assume that all safety measures are indicated or that other measures may not be required.