

PLEASE CHECK WWW.MOLEX.COM FOR LATEST PART INFORMATION

Part Number: [0357470110](#)
Status: **Active**
Overview: VersaBlade™ Wire-to-Wire Connector System
Description: VersaBlade™ .070 Male Crimp Terminal, 20-22 AWG, Type B

Documents:

3D Model	Product Specification PS-35182-003 (PDF)
Drawing (PDF)	Packaging Specification PK-35747-001 (PDF)
Product Specification PS-35150-001 (PDF)	RoHS Certificate of Compliance (PDF)
Product Specification PS-35180-002 (PDF)	

General

Product Family	Crimp Terminals
Series	35747
Application	Power
Crimp Quality Equipment	Yes
Overview	VersaBlade™ Wire-to-Wire Connector System
Product Name	VersaBlade™
UPC	800754378505

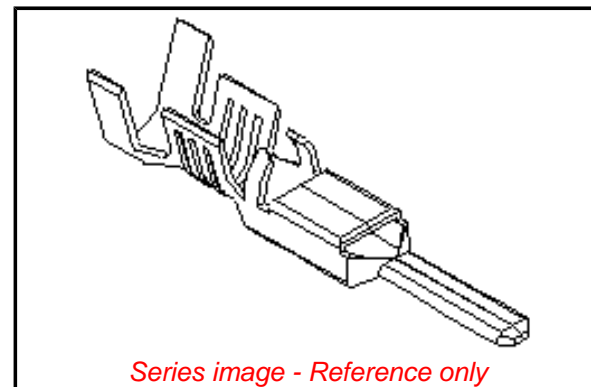
Physical

Gender	Male
Material - Metal	Brass
Material - Plating Mating	Tin
Material - Plating Termination	Tin
Net Weight	0.293/g
Packaging Type	Reel
Plating min - Mating	0.813µm
Plating min - Termination	0.813µm
Termination Interface: Style	Crimp or Compression
Wire Insulation Diameter	2.70mm max.
Wire Size AWG	20, 22
Wire Size mm²	N/A

Material Info

Reference - Drawing Numbers

Packaging Specification	PK-35747-001
Product Specification	PS-35150-001, PS-35180-002, PS-35182-003
Sales Drawing	SD-35747-001



EU ELV

Not Relevant

EU RoHS

Compliant

China RoHS

REACH SVHC

Contains SVHC(2015
June 15): No

Halogen-Free

Status

Low-Halogen

Need more information on product environmental compliance?

Email productcompliance@molex.com
Please visit the [Contact Us](#) section for any non-product compliance questions.

China ROHS

ELV

Green Image

Not Relevant

Search Parts in this Series

[35747](#) Series

Mates With

[35748](#) Crimp Terminal

Use With

[35150](#) VersaBlade™ Hybrid Receptacle Housing. [35151](#) VersaBlade™ Hybrid Plug Housing

Application Tooling | FAQ

Tooling specifications and manuals are found by selecting the products below. Crimp Height Specifications are then contained in the Application Tooling Specification document.

Global

Description

Product #

FineAdjust™ [0638629000](#)

Applicator

Extraction Tool [0638132700](#)

T2 Terminator Die 0638529000
Hand Crimp Tool for 0638196800
Industry standard
1.78mm Terminals

This document was generated on 09/10/2015

PLEASE CHECK WWW.MOLEX.COM FOR LATEST PART INFORMATION