

PLEASE CHECK WWW.MOLEX.COM FOR LATEST PART INFORMATION

Part Number: [0847000001](#)
Status: **Active**
Overview: Brad® Industrial Ethernet Solutions
Description: Receptacle, Inline, Industrial, 8/8

Documents:

[3D Model](#) [RoHS Certificate of Compliance \(PDF\)](#)
[Drawing \(PDF\)](#)

General

Product Family	Industrial Receptacles
Series	84700
IP Rating	IP67
MolexKits	Yes
Overview	Brad® Industrial Ethernet Solutions
Product Name	RJ45
Type	PCB Mount
UPC	756054460405

Physical

Coupling Type	External Thread
Gender	Male
Keyway	None
Length	N/A
Material - Component	PBT
Mounting Thread Size	1" - 14 UNC
Orientation	Straight
Panel Mount	Front
Poles	N/A
Temperature Range - Operating	-20°C to +80°C
Wire Size AWG	N/A
Wire/Cable Type	N/A

Electrical

Current - Maximum per Contact	1.5A
Voltage - Maximum	125V

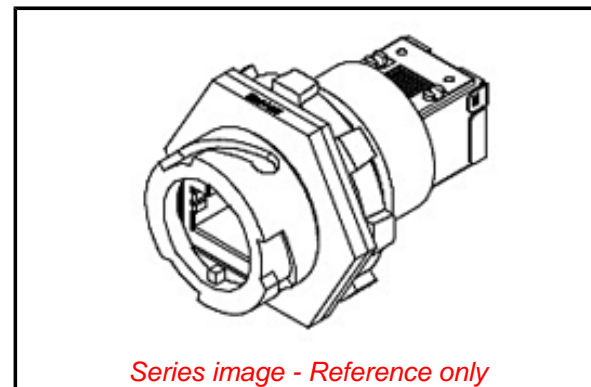
Solder Process Data

Lead-freeProcess Capability	N/A
-----------------------------	-----

Material Info

Reference - Drawing Numbers

Sales Drawing	SD-84700-007
---------------	--------------



EU ELV

Not Relevant

EU RoHS

Compliant

REACH SVHC

Contains SVHC(2014 December 17): No

Halogen-Free

Status

Not Low-Halogen

Need more information on product environmental compliance?

Email productcompliance@molex.com
Please visit the [Contact Us](#) section for any non-product compliance questions.

China ROHS

ELV

China RoHS

Green Image

Not Relevant

Search Parts in this Series

[84700 Series](#)

Mates With

[84700-0002 Plug](#), [84702 Cable Assemblies](#)

Use With

[84700-0003 Dust Cover](#)

PLEASE CHECK WWW.MOLEX.COM FOR LATEST PART INFORMATION