

**PLEASE CHECK WWW.MOLEX.COM FOR LATEST PART INFORMATION**

**Part Number:** [0357470210](#)  
**Status:** **Active**  
**Overview:** VersaBlade™ Wire-to-Wire Connector System  
**Description:** VersaBlade™ .070 Male Crimp Terminal, 14-18 AWG, Type B

**Documents:**

<a href="#">3D Model</a>	<a href="#">Product Specification PS-35182-003 (PDF)</a>
<a href="#">Drawing (PDF)</a>	<a href="#">Packaging Specification PK-35747-001 (PDF)</a>
<a href="#">Product Specification PS-35150-001 (PDF)</a>	<a href="#">RoHS Certificate of Compliance (PDF)</a>
<a href="#">Product Specification PS-35180-002 (PDF)</a>	

**General**

Product Family	Crimp Terminals
Series	<a href="#">35747</a>
Application	Power
Crimp Quality Equipment	Yes
Overview	<a href="#">VersaBlade™ Wire-to-Wire Connector System</a>
Product Name	VersaBlade™
UPC	800754378529

**Physical**

Gender	Male
Material - Metal	Brass
Material - Plating Mating	Tin
Material - Plating Termination	Tin
Net Weight	0.312/g
Packaging Type	Reel
Plating min - Mating	0.813µm
Plating min - Termination	0.813µm
Termination Interface: Style	Crimp or Compression
Wire Insulation Diameter	3.80mm max.
Wire Size AWG	14, 18
Wire Size mm²	N/A

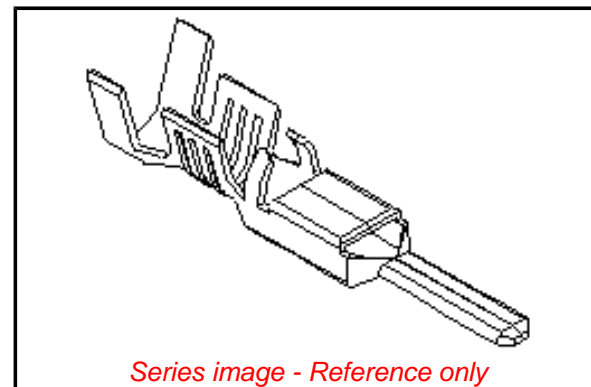
**Solder Process Data**

Lead-freeProcess Capability	N/A
-----------------------------	-----

**Material Info**

**Reference - Drawing Numbers**

Packaging Specification	PK-35747-001
Product Specification	PS-35150-001, PS-35180-002, PS-35182-003
Sales Drawing	SD-35747-001



**EU ELV**

**Not Relevant**

**EU RoHS**

**Compliant**

**China RoHS**

**REACH SVHC**

Contains SVHC(2015  
June 15): No

**Halogen-Free**

**Status**

**Low-Halogen**

**Need more information on product environmental compliance?**

Email [productcompliance@molex.com](mailto:productcompliance@molex.com)  
Please visit the [Contact Us](#) section for any non-product compliance questions.

China ROHS  
ELV

Green Image  
Not Relevant

**Search Parts in this Series**

[35747](#) Series

**Mates With**

[35748](#) Crimp Terminal

**Use With**

[35150](#) VersaBlade™ Hybrid Receptacle Housing. [35151](#) VersaBlade™ Hybrid Plug Housing

**Application Tooling | FAQ**

*Tooling specifications and manuals are found by selecting the products below. Crimp Height Specifications are then contained in the Application Tooling Specification document.*

**Global**

Description	Product #
Extraction Tool	<a href="#">0638132700</a>
T2 Terminator Die	<a href="#">0638529100</a>

This document was generated on 09/10/2015

**PLEASE CHECK [WWW.MOLEX.COM](http://WWW.MOLEX.COM) FOR LATEST PART INFORMATION**