

# Safety isolating transformer

## AVB 0,35/2/12



Picture shows AVB 3,2/2/18

## Advantages

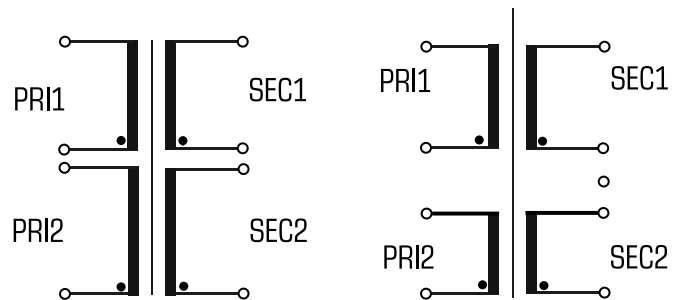
- Minimum size at high output
- Unconditionally short-circuit proof
- Double input voltage for series or parallel connection
- Also with double output voltage for series or parallel connection
- Designed for high ambient temperatures
- Permanent corrosion protection, high insulation value and maximum electrical reliability thanks to XtraDenseFill resin encapsulation
- Coil shell in 2-chamber technology
- Self-extinguishing potting and hood material

## Applications

As a mains transformer for adjustment of the voltage and simple electrical isolation.

As a safety transformer for the safe electrical isolation of the input and output sides. The transformer is suitable for creating SELV and PELV circuits because of the limit on the output voltage.

## Sample application



## Standards



Safety isolating transformer  
to: VDE 0570 Part 2-6, DIN EN 61558-2-6, EN 61558-2-6, IEC 61558-2-6,  
UL 5085-1/-2, CSA 22.2 No.66

## Approvals



UL 5085-1/-2, CSA 22.2 No.66

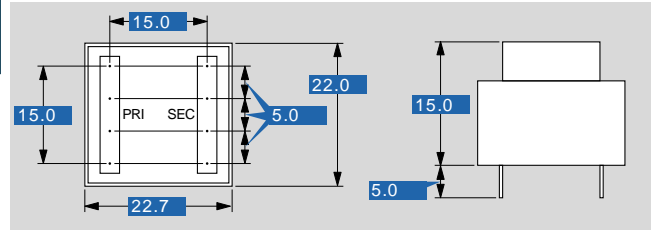


## Safety isolating transformer AVB 0,35/2/12

Type		AVB 0,35/2/12
Electrical data	Input	
	Rated input voltage	2 x 115 Vac
	Rated frequency	50 - 60 Hz
	Output	
	Rated output voltage	2 x 12 Vac
	Rated Power	0.35 VA
	No-load voltage (app. x factor)	1.80
	No-load loss (typ.)	1.30 W
	Efficiency	30 %
	Standards	
	Classification	Safety isolating transformer
	Approvals	
	Approvals	cURus
	Environment	
	Ambient temperature max.	70 °C
Safety and protection		
Type	Encapsulated	
Class of Insulation System	VDE=B, UL=class 105	
Protection index	IP 00	
Safety class (prepared)	II	
Short circuit strength	inherently short-circuit proof	
Order numbers		
<b>Order Number</b>	<b>AVB 0,35/2/12</b>	

Type		AVB 0,35/2/12
Terminal and mounting	Terminals	Pins for printed circuit boards
	Pin (ø)	0.6
Measures and weights	Core type	EE 20/6,1
	Weight	0.02 kg

30  
Mechanical data



Subjects to change.