



## SE5470-004

### SE Series AlGaAs Infrared Emitting Diode, TO-46 Metal Can Package

#### Features

- TO-46 metal can package
- Choice of flat window or lensed package
- 90 ° or 20 ° (nominal) beam angle option
- 880 nm wavelength
- Higher output power than GaAs at equivalent drive currents
- Wide operating temperature range [-55 °C to 125 °C]
- Ideal for high pulsed current applications
- Mechanically and spectrally matched to SD3421/5421 photodiode, SD3443/5443/5491 phototransistor, SD3410/5410 photodarlington and SD5600 series Schmitt trigger

#### Description

The SE3470/5470 series consists of aluminum gallium arsenide infrared emitting diode mounted in a TO-46 metal can package. The SE3470 series has flat window cans providing a wide beam angle, while the SE5470 series has glass lensed cans providing a narrow beam angle. These devices typically exhibit 70% greater power output than gallium arsenide devices at the same forward current. The TO-46 packages offer high power dissipation capability and are ideally suited for operation in hostile environments.



## SE5470-004

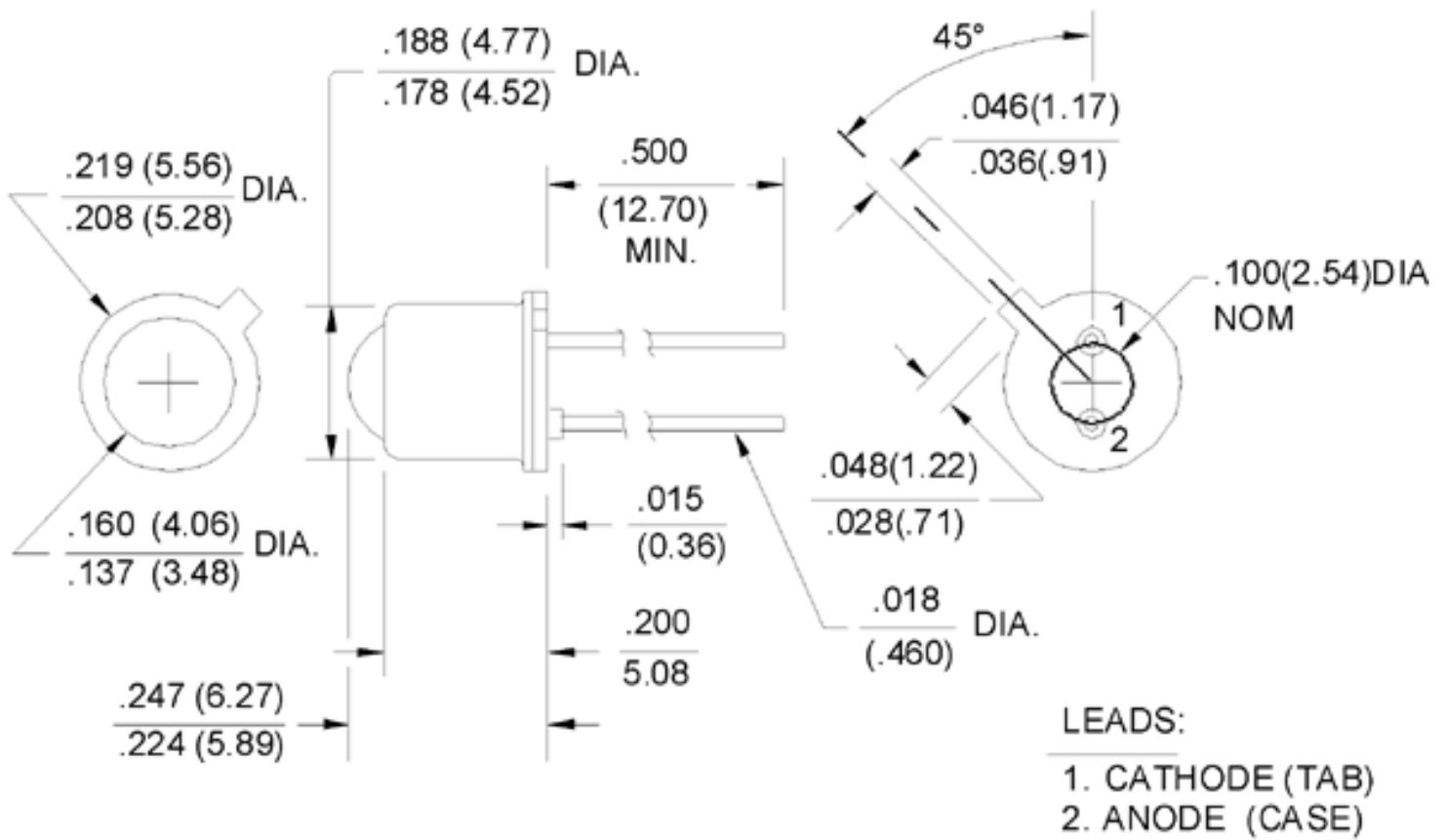
### SE Series AlGaAs Infrared Emitting Diode, TO-46 Metal Can Package

Product Specifications	
Product Type	IR Component
Power Output	3.5 mW/cm <sup>2</sup> min
Beam Angle (Degree)	20
Package Style	T0-46, Dome Lensed
Package Components	Metal
Forward Current	100 mA
Continuous Forward Current	100 mA
Forward Voltage	1.9 V
Reverse Breakdown Voltage	3 V
Output Wavelength	880 nm
Spectral Bandwidth	80 nm
Spectral Shift With Temperature	0.2 nm/°C
Rise and Fall Time	0.7 μs
Power Dissipation	150 mW
Operating Temperature Range	-55 °C to 125 °C [-67 °F to 257 °F]
Availability	Global
Product Name	Infrared Emitting Diode

# Honeywell

## SE5470-004

SE Series AlGaAs Infrared Emitting Diode, T0-46 Metal Can Package



**Honeywell**

**SE5470-004**

SE Series AlGaAs Infrared Emitting Diode, TO-46 Metal Can Package

Anode



Cathode

**Honeywell**

---

**SE5470-004**

SE Series AlGaAs Infrared Emitting Diode, TO-46 Metal Can Package

** WARNING**

**PERSONAL INJURY**

DO NOT USE these products as safety or emergency stop devices, or in any other application where failure of the product could result in personal injury.

**Failure to comply with these instructions could result in death or serious injury.**

** WARNING**

**MISUSE OF DOCUMENTATION**

- The information presented in this product sheet (or catalog) is for reference only. DO NOT USE this document as product installation information.
- Complete installation, operation and maintenance information is provided in the instructions supplied with each product.

**Failure to comply with these instructions could result in death or serious injury.**