

Keysight E5810B LAN/GPIB/USB Gateway

Rackmount
Installation
Guide
(Option 300)

NOTICE: This document contains references to Agilent Technologies. Agilent's former Test and Measurement business has become Keysight Technologies. For more information, go to www.keysight.com.

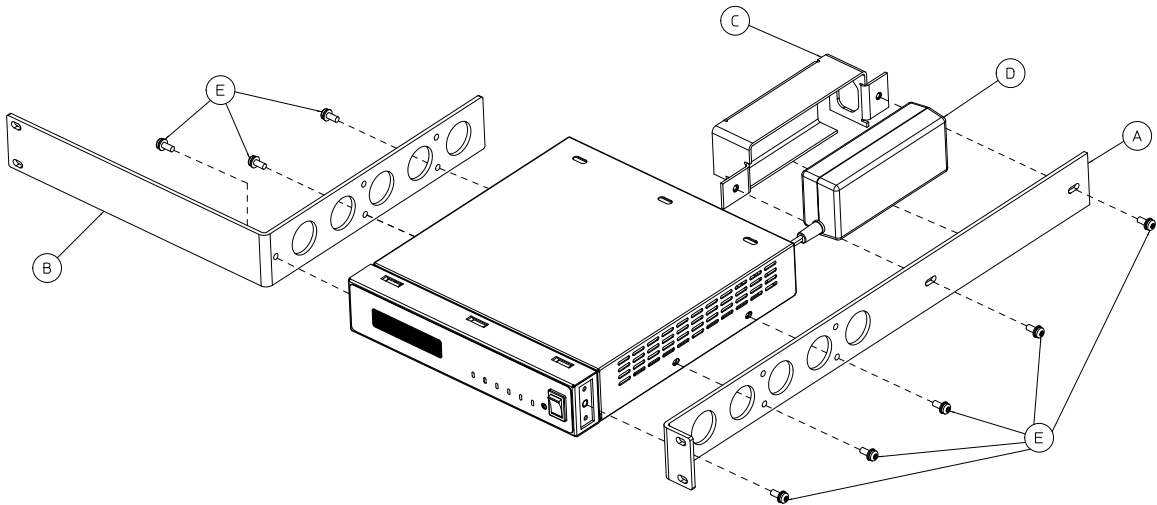


Rackmount Kit (Option 300)

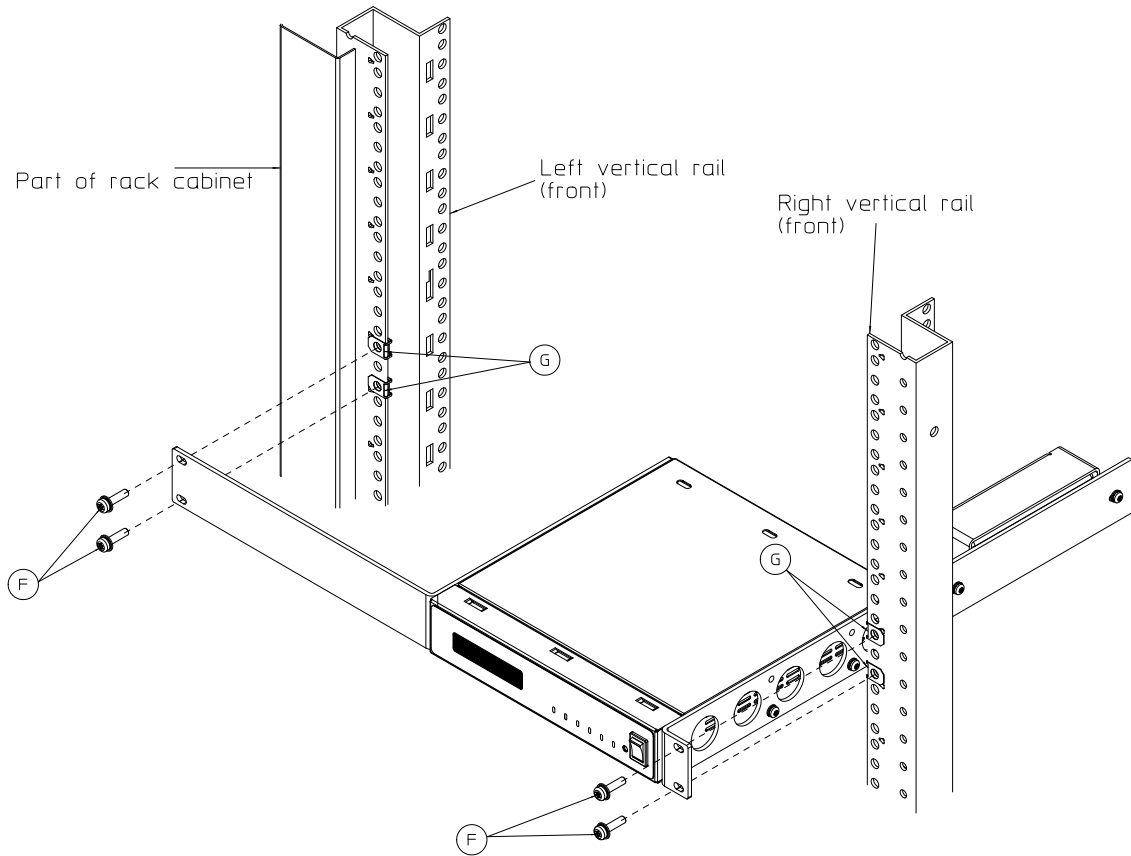
Rackmount Kit (Option 300)

Item	Part number	Description	Quantity	Item	Part number	Description	Quantity
A	E5810-00031	Rack ear - side	1	E	0515-1114	Panhead screw, M4X10	8
B	E5810-00022	Rack ear - half rack	1	F	0570-1577	Machine screw	4
C	E5810-00035	Power adapter holder	1	G	0590-0804	Machine nut	4
D	0950-5481	Power adapter	1				

- 1 Remove both rubber bumpers from the E5810B.
- 2 Using a Torx screwdriver, attach the rack ear - half rack (B) to the E5810B with three panhead screws, M4X10 (E).
- 3 Plug the E5810B power adapter (D) into the DC power port of the E5810B. Place the power adapter into the power adapter holder (C).
- 4 Using a Torx screwdriver, attach the rack ear - side (A) to the E5810B and the power adapter holder (C) with five panhead screws, M4X10 (E).



- 5** Using a Torx screwdriver, attach the rack ears to the rack with four machine screws (F) and four machine nuts (G).



www.keysight.com

Contact us

To obtain service, warranty, or technical assistance, contact us at the following phone or fax numbers:

United States:

(tel) 800 829 4444 (fax) 800 829 4433

Canada:

(tel) 877 894 4414 (fax) 800 746 4866

China:

(tel) 800 810 0189 (fax) 800 820 2816

Europe:

(tel) 31 20 547 2111

Japan:

(tel) 0120 (421) 345 (fax) 0120 (421) 678

Korea:

(tel) (080) 769 0800 (fax) (080) 769 0900

Latin America:

(tel) (305) 269 7500

Taiwan:

(tel) 0800 047 866 (fax) 0800 286 331

Other Asia Pacific Countries:

(tel) (65) 6375 8100 (fax) (65) 6755 0042

Or visit Keysight World Wide Web at:

www.keysight.com/find/assist

Product specifications and descriptions in this document are subject to change without notice. Always refer to the Keysight Web site for the latest revision.

This information is subject to change without notice.
© Keysight Technologies 2014, 2015
Edition 2, January 2015



E5810-90008
www.keysight.com