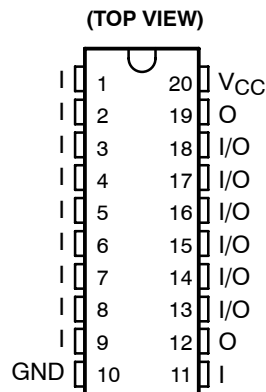


**TIBPAL16L8-7C, TIBPAL16R4-7C, TIBPAL16R6-7C, TIBPAL16R8-7C  
TIBPAL16L8-10M, TIBPAL16R4-10M, TIBPAL16R6-10M, TIBPAL16R8-10M  
HIGH-PERFORMANCE IMPACT-X™ PAL® CIRCUITS**

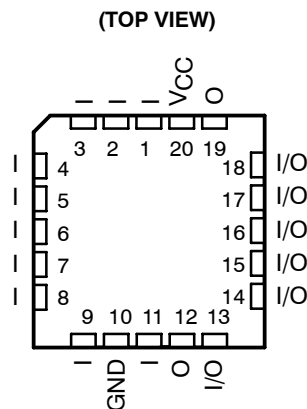
SRPS006E – D3115, MAY 1988 – REVISED DECEMBER 2010

- **High-Performance Operation:**
  - $f_{max}$  (no feedback)
    - TIBPAL16R'-7C Series . . . 100 MHz Min
    - TIBPAL16R'-10M Series . . . 62.5 MHz Min
  - $f_{max}$  (internal feedback)
    - TIBPAL16R'-7C Series . . . 100 MHz Min
    - TIBPAL16R'-10M Series . . . 62.5 MHz Min
  - $f_{max}$  (external feedback)
    - TIBPAL16R'-7C Series . . . 74 MHz Min
    - TIBPAL16R'-10M Series . . . 52.5 MHz Min
  - Propagation Delay
    - TIBPAL16L'-7C Series . . . 7 ns Max
    - TIBPAL16L'-10M Series . . . 10 ns Max
- **Functionally Equivalent, but Faster than, Existing 20-Pin PLDs**
- **Preload Capability on Output Registers Simplifies Testing**
- **Power-Up Clear on Registered Devices (All Register Outputs are Set Low, but Voltage Levels at the Output Pins Go High)**
- **Package Options Include Both Plastic and Ceramic Chip Carriers in Addition to Plastic and Ceramic DIPs**
- **Security Fuse Prevents Duplication**
- **Dependable Texas Instruments Quality and Reliability**

TIBPAL16L8'  
C SUFFIX . . . J OR N PACKAGE  
M SUFFIX . . . J PACKAGE



TIBPAL16L8'  
C SUFFIX . . . FN PACKAGE  
M SUFFIX . . . FK PACKAGE



Pin assignments in operating mode

| DEVICE  | I INPUTS | 3-STATE O OUTPUTS | REGISTERED Q OUTPUTS | I/O PORTS |
|---------|----------|-------------------|----------------------|-----------|
| PAL16L8 | 10       | 2                 | 0                    | 6         |
| PAL16R4 | 8        | 0                 | 4 (3-state buffers)  | 4         |
| PAL16R6 | 8        | 0                 | 6 (3-state buffers)  | 2         |
| PAL16R8 | 8        | 0                 | 8 (3-state buffers)  | 0         |

**description**

These programmable array logic devices feature high speed and functional equivalency when compared with currently available devices. These IMPACT-X™ circuits combine the latest Advanced Low-Power Schottky technology with proven titanium-tungsten fuses to provide reliable, high-performance substitutes for conventional TTL logic. Their easy programmability allows for quick design of custom functions and typically results in a more compact circuit board. In addition, chip carriers are available for further reduction in board space.

All of the register outputs are set to a low level during power-up. Extra circuitry has been provided to allow loading of each register asynchronously to either a high or low state. This feature simplifies testing because the registers can be set to an initial state prior to executing the test sequence.

The TIBPAL16' C series is characterized from 0°C to 75°C. The TIBPAL16' M series is characterized for operation over the full military temperature range of -55°C to 125°C.

IMPACT-X is a trademark of Texas Instruments Incorporated.  
PAL is a registered trademark of Advanced Micro Devices Inc.

PRODUCTION DATA information is current as of publication date. Products conform to specifications per the terms of Texas Instruments standard warranty. Production processing does not necessarily include testing of all parameters.

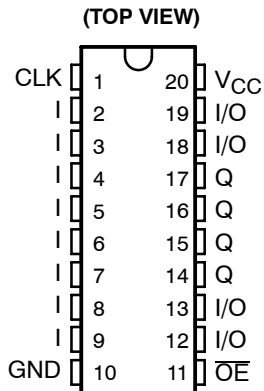


Copyright © 2010, Texas Instruments Incorporated

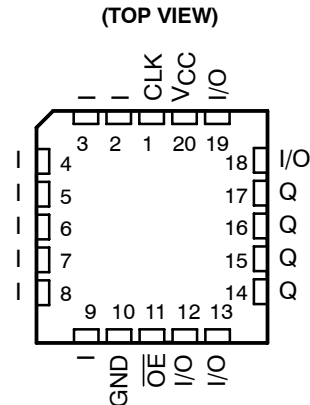
**TIBPAL16R4-7C, TIBPAL16R6-7C, TIBPAL16R8-7C**  
**TIBPAL16R4-10M, TIBPAL16R6-10M, TIBPAL16R8-10M**  
**HIGH-PERFORMANCE *IMPACT-X*™ PAL® CIRCUITS**

SRPS006E - D3115, MAY 1988 - REVISED DECEMBER 2010

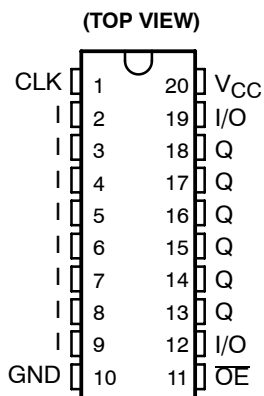
**TIBPAL16R4'**  
**C SUFFIX . . . J OR N PACKAGE**  
**M SUFFIX . . . J PACKAGE**



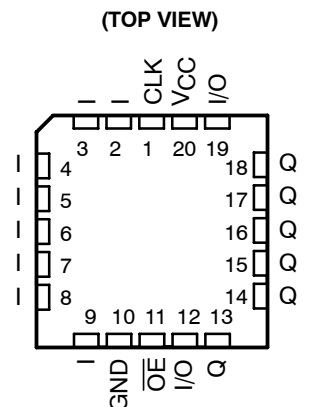
**TIBPAL16R4'**  
**C SUFFIX . . . FN PACKAGE**  
**M SUFFIX . . . FK PACKAGE**



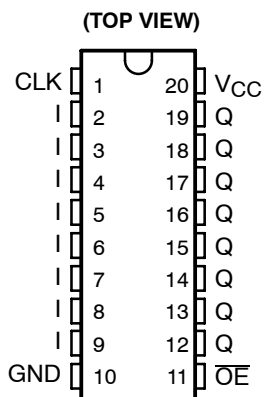
**TIBPAL16R6'**  
**C SUFFIX . . . J OR N PACKAGE**  
**M SUFFIX . . . J PACKAGE**



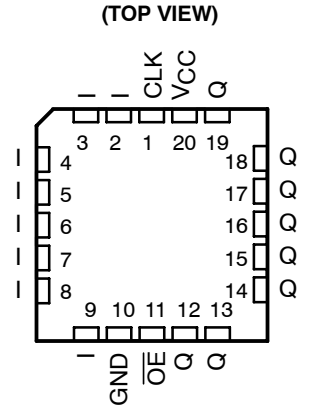
**TIBPAL16R6'**  
**C SUFFIX . . . FN PACKAGE**  
**M SUFFIX . . . FK PACKAGE**



**TIBPAL16R8'**  
**C SUFFIX . . . J OR N PACKAGE**  
**M SUFFIX . . . J PACKAGE**



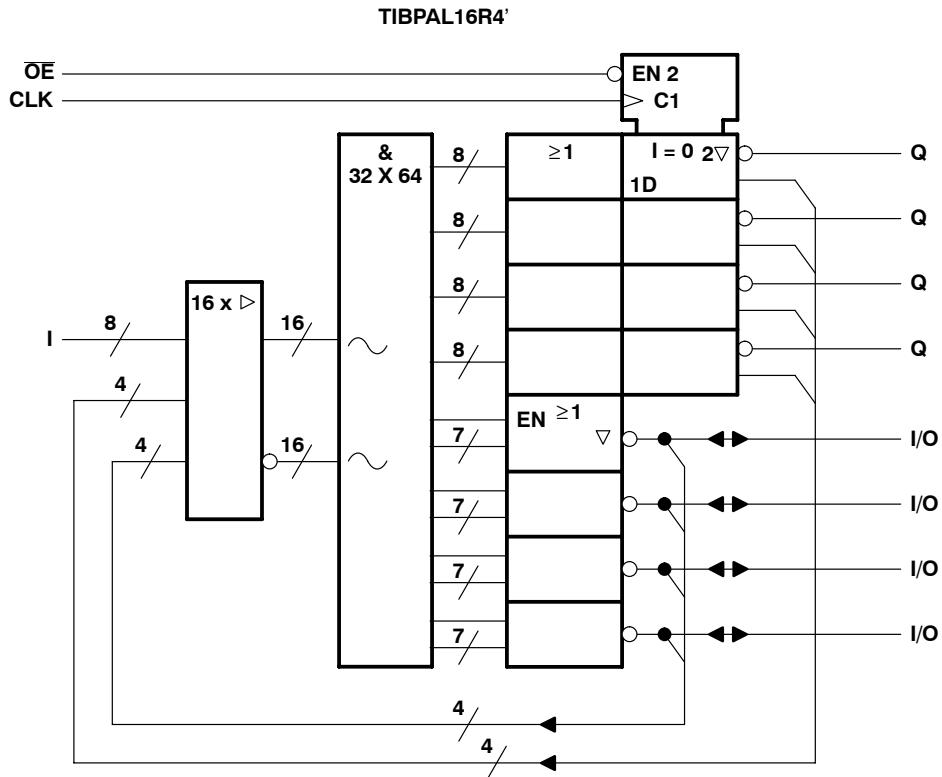
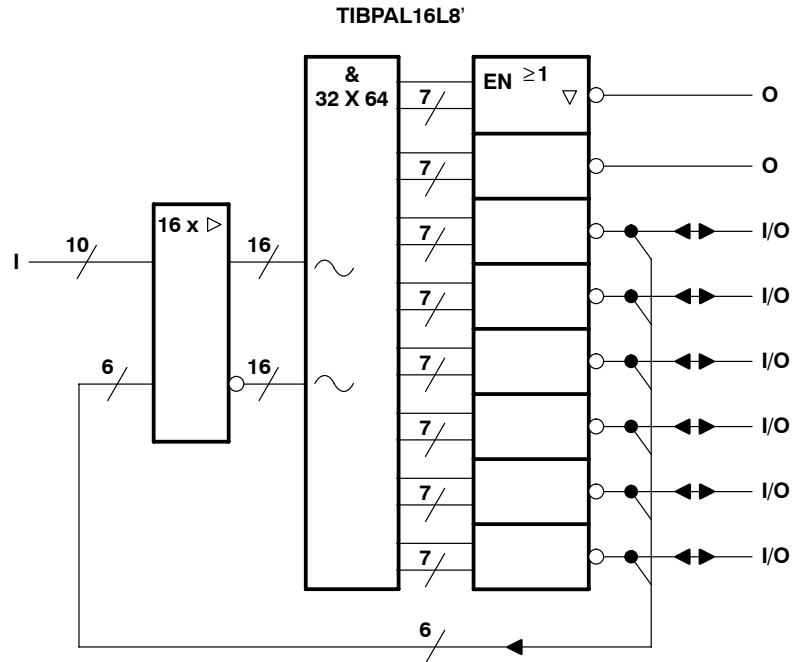
**TIBPAL16R8'**  
**C SUFFIX . . . FN PACKAGE**  
**M SUFFIX . . . FK PACKAGE**



Pin assignments in operating mode

TIBPAL16L8-7C, TIBPAL16R4-7C  
 TIBPAL16L8-10M, TIBPAL16R4-10M  
**HIGH-PERFORMANCE IMPACT-X™ PAL® CIRCUITS**  
 SRPS006E - D3115, MAY 1988 - REVISED DECEMBER 2010

functional block diagrams (positive logic)



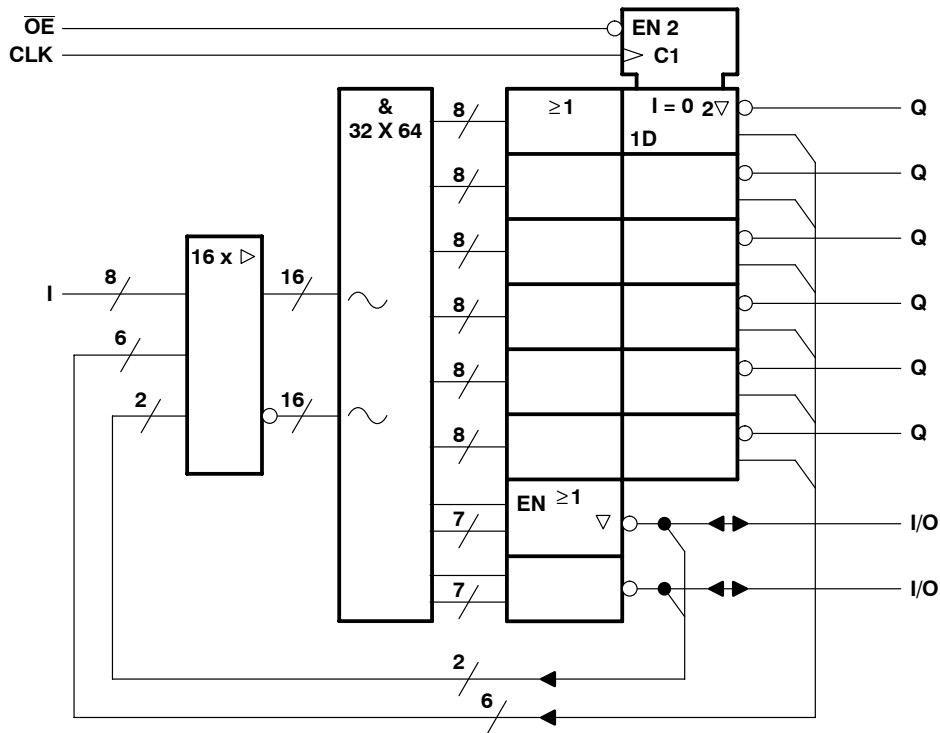
~ denotes fused inputs

**TIBPAL16R6-7C, TIBPAL16R8-7C**  
**TIBPAL16R6-10M, TIBPAL16R8-10M**  
**HIGH-PERFORMANCE *IMPACT-X*™ PAL® CIRCUITS**

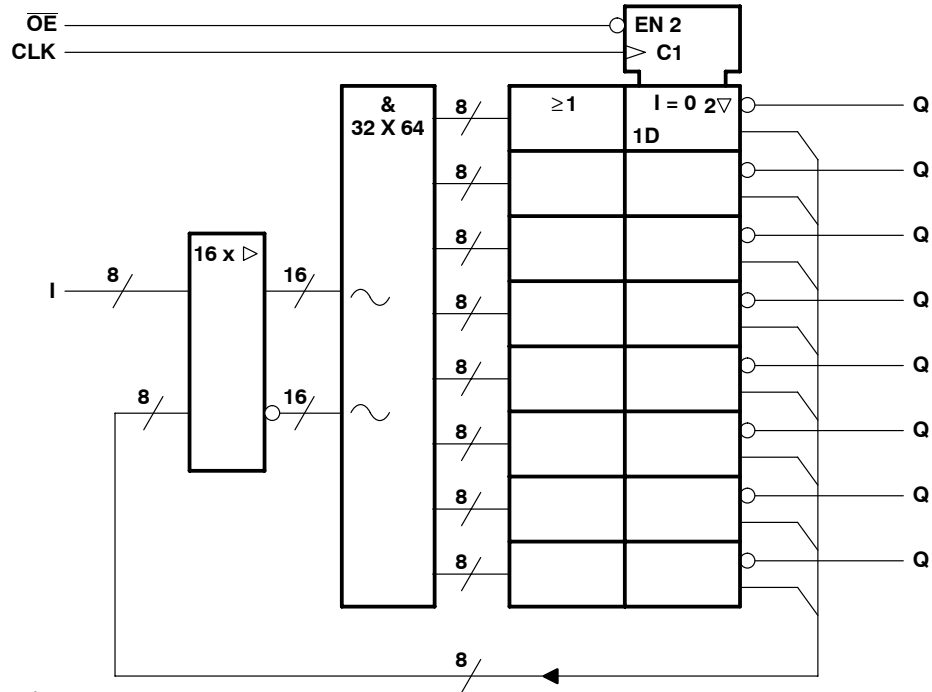
SRPS006E - D3115, MAY 1988 - REVISED DECEMBER 2010

functional block diagrams (positive logic)

TIBPAL16R6'



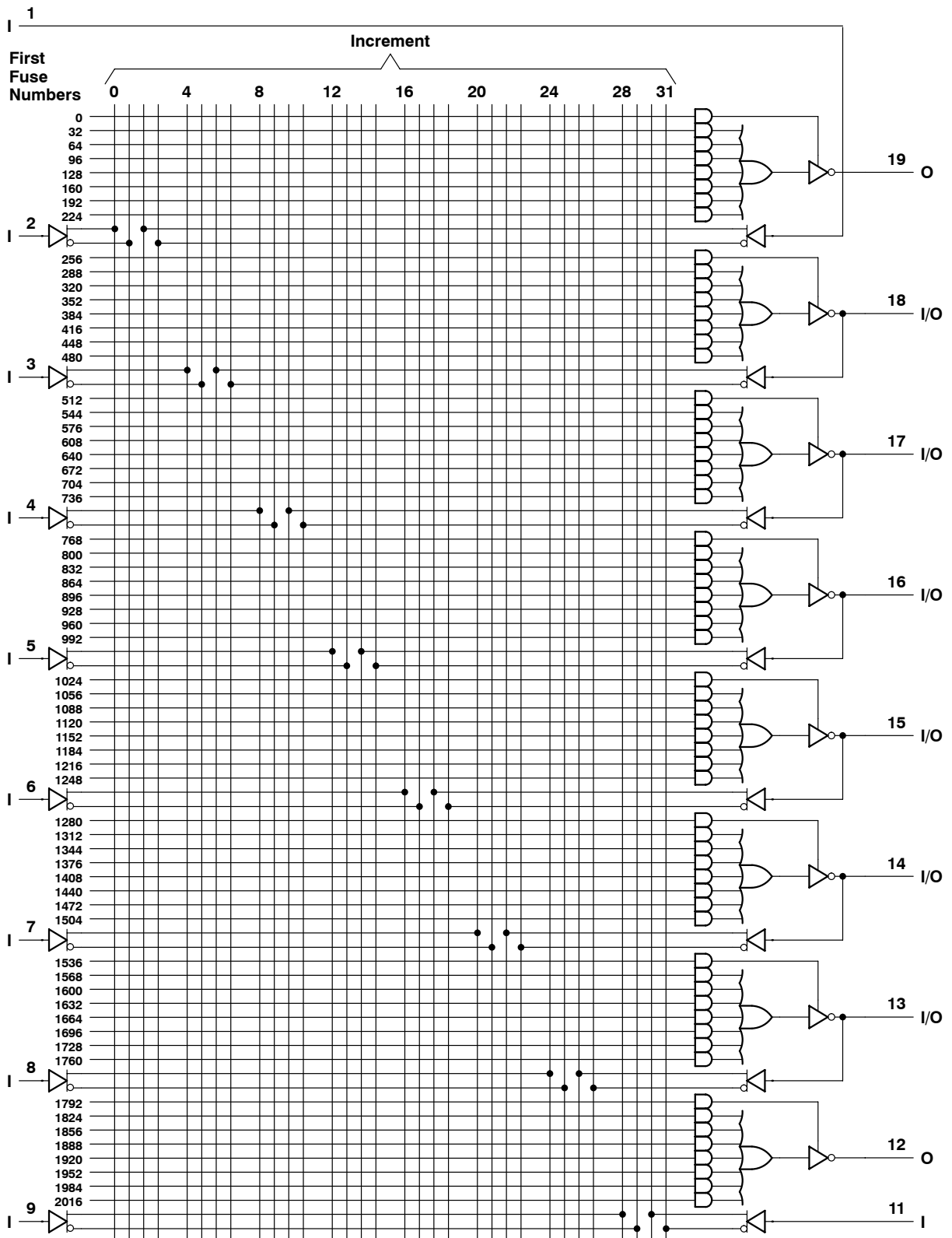
TIBPAL16R8'



~ denotes fused inputs



logic diagram (positive logic)



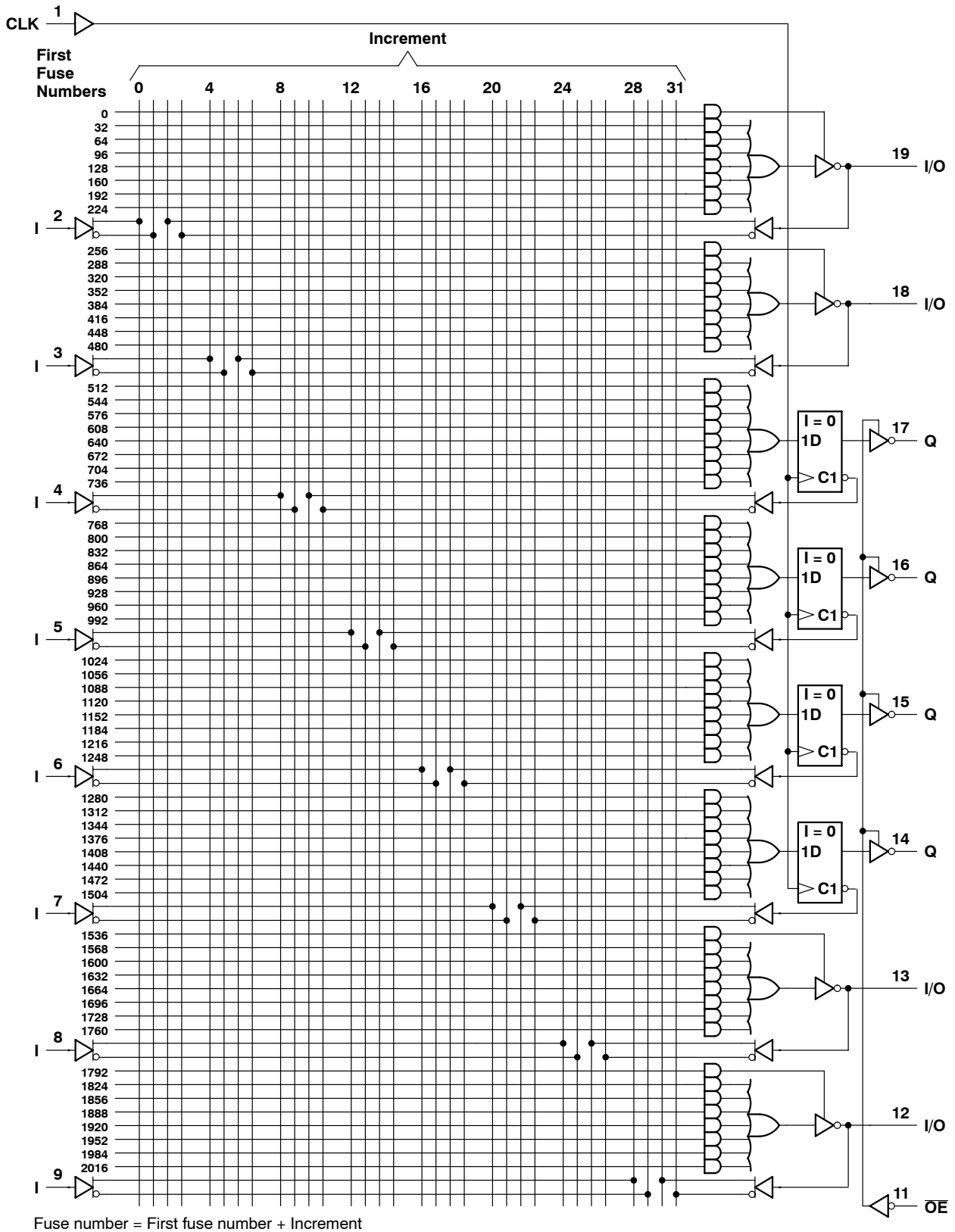
Fuse number = First fuse number + Increment

**TIBPAL16R4-7C**  
**TIBPAL16R4-10M**

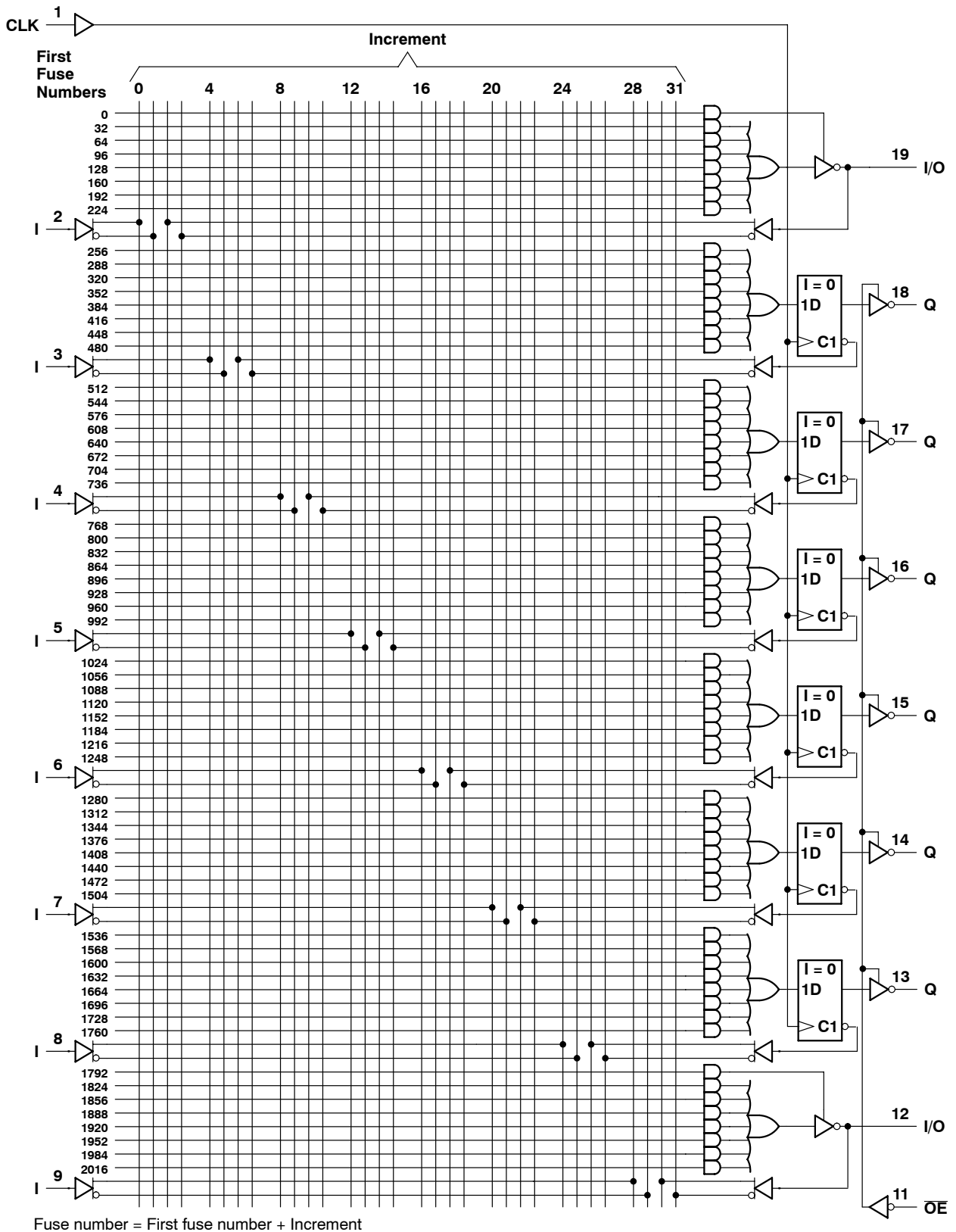
**HIGH-PERFORMANCE *IMPACT-X*™ PAL® CIRCUITS**

SRPS006E - D3115, MAY 1988 - REVISED DECEMBER 2010

**logic diagram (positive logic)**



logic diagram (positive logic)

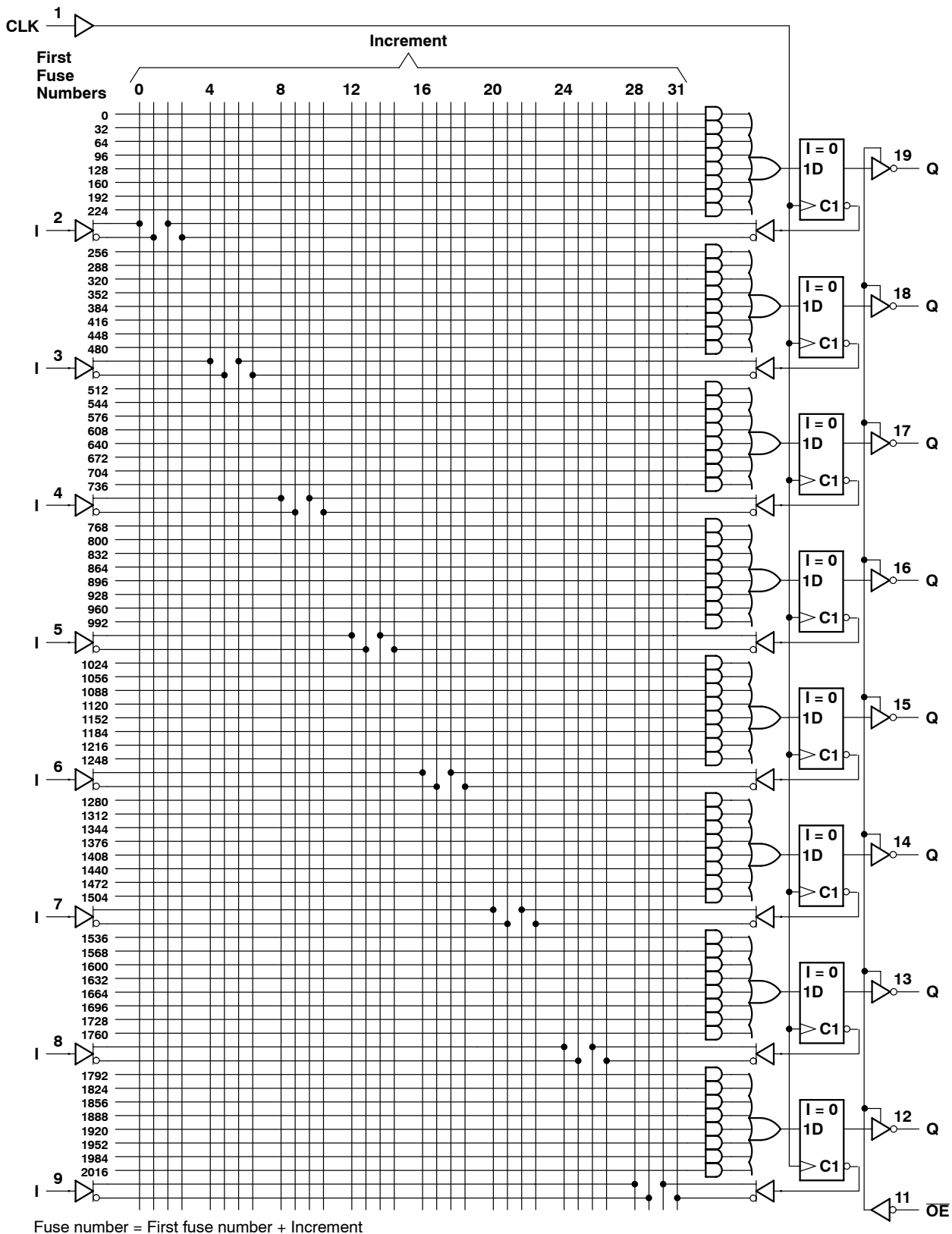


**TIBPAL16R8-7C**  
**TIBPAL16R8-10M**

**HIGH-PERFORMANCE *IMPACT-X*™ PAL® CIRCUITS**

SRPS006E - D3115, MAY 1988 - REVISED DECEMBER 2010

**logic diagram (positive logic)**





**OBsolete - No Longer Available**  
**TIBPAL16L8-7C, TIBPAL16R4-7C, TIBPAL16R6-7C, TIBPAL16R8-7C**  
**HIGH-PERFORMANCE *IMPACT-X*™ PAL® CIRCUITS**

SRPS006E – D3115, MAY 1988 – REVISED DECEMBER 2010

**absolute maximum ratings over operating free-air temperature range (unless otherwise noted)**

|   |                |
|---|----------------|
| Supply voltage, $V_{CC}$ (see Note 1) .....           | 7 V            |
| Input voltage (see Note 1) .....                      | 5.5 V          |
| Voltage applied to disabled output (see Note 1) ..... | 5.5 V          |
| Operating free-air temperature range .....            | 0°C to 75°C    |
| Storage temperature range .....                       | –65°C to 150°C |

NOTE 1: These ratings apply except for programming pins during a programming cycle.

**recommended operating conditions**

|             |   | MIN  | NOM | MAX  | UNIT |
|-------------|---|------|-----|------|------|
| $V_{CC}$    | Supply voltage                              | 4.75 | 5   | 5.25 | V    |
| $V_{IH}$    | High-level input voltage (see Note 2)       | 2    |     | 5.5  | V    |
| $V_{IL}$    | Low-level input voltage (see Note 2)        |      |     | 0.8  | V    |
| $I_{OH}$    | High-level output current                   |      |     | –3.2 | mA   |
| $I_{OL}$    | Low-level output current                    |      |     | 24   | mA   |
| $f_{clock}$ | Clock frequency                             | 0    |     | 100  | MHz  |
| $t_w$       | Pulse duration, clock (see Note 2)          | High |     | 5    | ns   |
|             |   | Low  |     | 5    |      |
| $t_{su}$    | Setup time, input or feedback before clock↑ | 7    |     |      | ns   |
| $t_h$       | Hold time, input or feedback after clock↑   | 0    |     |      | ns   |
| $T_A$       | Operating free-air temperature              | 0    | 25  | 75   | °C   |

NOTE 2: These are absolute voltage levels with respect to the ground pin of the device and include all overshoots due to system and/or tester noise. Testing these parameters should not be attempted without suitable equipment.

**electrical characteristics over recommended operating free-air temperature range**

| PARAMETER          | TEST CONDITIONS            |                           | MIN | TYP† | MAX  | UNIT |
|--------------------|----------------------------|---------------------------|-----|------|------|------|
| $V_{IK}$           | $V_{CC} = 4.75\text{ V}$ , | $I_I = -18\text{ mA}$     |     | –0.8 | –1.5 | V    |
| $V_{OH}$           | $V_{CC} = 4.75\text{ V}$ , | $I_{OH} = -3.2\text{ mA}$ | 2.4 | 3.2  |      | V    |
| $V_{OL}$           | $V_{CC} = 4.75\text{ V}$ , | $I_{OL} = 24\text{ mA}$   |     | 0.3  | 0.5  | V    |
| $I_{OZH}^\ddagger$ | $V_{CC} = 5.25\text{ V}$ , | $V_O = 2.7\text{ V}$      |     |      | 100  | μA   |
| $I_{OZL}^\ddagger$ | $V_{CC} = 5.25\text{ V}$ , | $V_O = 0.4\text{ V}$      |     |      | –100 | μA   |
| $I_I$              | $V_{CC} = 5.25\text{ V}$ , | $V_I = 5.5\text{ V}$      |     |      | 100  | μA   |
| $I_{IH}^\ddagger$  | $V_{CC} = 5.25\text{ V}$ , | $V_I = 2.7\text{ V}$      |     |      | 25   | μA   |
| $I_{IL}^\ddagger$  | $V_{CC} = 5.25\text{ V}$ , | $V_I = 0.4\text{ V}$      |     | –80  | –250 | μA   |
| $I_{OS}^\S$        | $V_{CC} = 5.25\text{ V}$ , | $V_O = 0.5\text{ V}$      | –30 | –70  | –130 | mA   |
| $I_{CC}$           | $V_{CC} = 5.25\text{ V}$ , | $V_I = 0$ ,               |     | 160  | 180  | mA   |
| $C_i$              | $f = 1\text{ MHz}$ ,       | $V_I = 2\text{ V}$        |     | 5    |      | pF   |
| $C_o$              | $f = 1\text{ MHz}$ ,       | $V_O = 2\text{ V}$        |     | 6    |      | pF   |
| $C_{clk}$          | $f = 1\text{ MHz}$ ,       | $V_{CLK} = 2\text{ V}$    |     | 6    |      | pF   |

† All typical values are at  $V_{CC} = 5\text{ V}$ ,  $T_A = 25^\circ\text{C}$ .

‡ I/O leakage is the worst case of  $I_{OZL}$  and  $I_{IL}$  or  $I_{OZH}$  and  $I_{IH}$  respectively.

§ Not more than one output should be shorted at a time, and the duration of the short circuit should not exceed one second.  $V_O$  is set at 0.5 V to avoid test problems caused by test equipment ground degradation.



**TIBPAL16L8-7C, TIBPAL16R4-7C, TIBPAL16R6-7C, TIBPAL16R8-7C**  
**HIGH-PERFORMANCE *IMPACT-X*™ *PAL*® CIRCUITS**

SRPS006E – D3115, MAY 1988 – REVISED DECEMBER 2010

**switching characteristics over recommended ranges of supply voltage and operating free-air temperature (unless otherwise noted)**

| PARAMETER    | FROM (INPUT)                                   | TO (OUTPUT) | TEST CONDITION   | MIN                      | TYP† | MAX | UNIT |
|--------------|--|-------------|--|--------------------------|------|-----|------|
| $f_{max}‡$   | without feedback                               |             | R1 = 200 $\Omega$ ,<br>R2 = 390 $\Omega$ ,<br>See Figure 6 | 100                      |      |     | MHz  |
|              | with internal feedback (counter configuration) |             |  | 100                      |      |     |      |
|              | with external feedback                         |             |  | 74                       |      |     |      |
| $t_{pd}$     | I, I/O   | O, I/O      |  | 1 or 2 outputs switching |      |     | ns   |
|              |  |             |  | 8 outputs switching      |      |     |      |
| $t_{pd}$     | CLK $\uparrow$                                 |             |  | Q                        |      |     | ns   |
| $t_{pd}§$    | CLK $\uparrow$                                 |             | Feedback input   |                          |      | ns  |      |
| $t_{en}$     | OE $\downarrow$                                |             | Q  |                          |      | ns  |      |
| $t_{dis}$    | OE $\uparrow$                                  |             | Q  |                          |      | ns  |      |
| $t_{en}$     | I, I/O   |             | O, I/O   |                          |      | ns  |      |
| $t_{dis}$    | I, I/O   |             | O, I/O   |                          |      | ns  |      |
| $t_{sk(o)}¶$ | Skew between registered outputs                |             |  | 0.5                      |      |     | ns   |

† All typical values are at  $V_{CC} = 5\text{ V}$ ,  $T_A = 25^\circ\text{C}$ .‡ See section for  $f_{max}$  specifications.§ This parameter applies to TIBPAL16R4' and TIBPAL16R6' only (see Figure 4 for illustration) and is calculated from the measured  $f_{max}$  with internal feedback in the counter configuration.¶ This parameter is the measurement of the difference between the fastest and slowest  $t_{pd}$  (CLK-to-Q) observed when multiple registered outputs are switching in the same direction.

# TIBPAL16L8-10M, TIBPAL16R4-10M, TIBPAL16R6-10M, TIBPAL16R8-10M HIGH-PERFORMANCE *IMPACT-X*™ PAL® CIRCUITS

SRPS006E – D3115, MAY 1988 – REVISED DECEMBER 2010

## absolute maximum ratings over operating free-air temperature range (unless otherwise noted)

|   |                |
|---|----------------|
| Supply voltage, $V_{CC}$ (see Note 1)           | 7 V            |
| Input voltage (see Note 1)                      | 5.5 V          |
| Voltage applied to disabled output (see Note 1) | 5.5 V          |
| Operating free-air temperature range            | -55°C to 125°C |
| Storage temperature range                       | -65°C to 150°C |

NOTE 1: These ratings apply except for programming pins during a programming cycle.

## recommended operating conditions

|                       |   | MIN  | NOM | MAX  | UNIT |
|-----------------------|---|------|-----|------|------|
| $V_{CC}$              | Supply voltage  | 4.5  | 5   | 5.5  | V    |
| $V_{IH}$              | High-level input voltage                              | 2    |     | 5.5  | V    |
| $V_{IL}$              | Low-level input voltage                               |      |     | 0.8  | V    |
| $I_{OH}$              | High-level output current                             |      |     | -2   | mA   |
| $I_{OL}$              | Low-level output current                              |      |     | 12   | mA   |
| $f_{clock}^{\dagger}$ | Clock frequency                                       | 0    |     | 62.5 | MHz  |
| $t_w$                 | Pulse duration, clock (see Note 2)                    | High |     | 8    | ns   |
|                       |   | Low  |     | 8    |      |
| $t_{su}^{\dagger}$    | Setup time, input or feedback before clock $\uparrow$ | 10   |     |      | ns   |
| $t_h^{\dagger}$       | Hold time, input or feedback after clock $\uparrow$   | 0    |     |      | ns   |
| $T_A$                 | Operating free-air temperature                        | -55  | 25  | 125  | °C   |

NOTE 2: These are absolute voltage levels with respect to the ground pin of the device and include all overshoots due to system and/or tester noise. Testing these parameters should not be attempted without suitable equipment.

## electrical characteristics over recommended operating free-air temperature range

| PARAMETER            | TEST CONDITIONS   |                                    | MIN | TYP $^{\dagger}$ | MAX   | UNIT    |
|----------------------|-------------------|------------------------------------|-----|------------------|-------|---------|
| $V_{IK}$             | $V_{CC} = 4.5$ V, | $I_I = -18$ mA                     |     | -0.8             | -1.5  | V       |
| $V_{OH}$             | $V_{CC} = 4.5$ V, | $I_{OH} = -2$ mA                   | 2.4 | 3.2              |       | V       |
| $V_{OL}$             | $V_{CC} = 4.5$ V, | $I_{OL} = 12$ mA                   |     | 0.3              | 0.5   | V       |
| $I_{OZH}^{\ddagger}$ | $V_{CC} = 5.5$ V, | $V_O = 2.7$ V                      |     |                  | 100   | $\mu$ A |
| $I_{OZL}^{\ddagger}$ | 0, Q outputs      | $V_{CC} = 5.5$ V,<br>$V_O = 0.4$ V |     |                  | -0.1  | mA      |
|                      | I/O ports         |                                    |     |                  | -0.25 |         |
| $I_I$                | $V_{CC} = 5.5$ V, | $V_I = 5.5$ V                      |     |                  | 1     | mA      |
| $I_{IH}$             | I/O ports         | $V_{CC} = 5.5$ V,<br>$V_I = 2.7$ V |     |                  | 100   | $\mu$ A |
|                      | All others        |                                    |     |                  | 25    |         |
| $I_{IL}^{\ddagger}$  | $V_{CC} = 5.5$ V, | $V_I = 0.4$ V                      |     | -0.08            | -0.25 | mA      |
| $I_{OS}^{\S}$        | $V_{CC} = 5.5$ V, | $V_O = 0.5$ V                      | -30 | -70              | -130  | mA      |
| $I_{CC}$             | $V_{CC} = 5.5$ V, | $V_I = GND$ ,<br>Outputs open      |     | 140              | 200   | mA      |
| $C_i$                | $f = 1$ MHz,      | $V_I = 2$ V                        |     | 5                |       | pF      |
| $C_o$                | $f = 1$ MHz,      | $V_O = 2$ V                        |     | 6                |       | pF      |
| $C_{clk/oe}$         | $f = 1$ MHz,      | $V_{CLK/OE} = 2$ V                 |     | 6                |       | pF      |

 $^{\dagger}$  All typical values are at  $V_{CC} = 5$  V,  $T_A = 25^{\circ}$ C. $^{\ddagger}$  I/O leakage is the worst case of  $I_{OZL}$  and  $I_{IL}$  or  $I_{OZH}$  and  $I_{IH}$  respectively. $^{\S}$  Not more than one output should be shorted at a time, and the duration of the short circuit should not exceed one second.  $V_O$  is set at 0.5 V to avoid test problems caused by test equipment ground degradation.

**TIBPAL16L8-10M, TIBPAL16R4-10M, TIBPAL16R6-10M, TIBPAL16R8-10M**  
**HIGH-PERFORMANCE *IMPACT-X*™ *PAL*® CIRCUITS**

SRPS006E – D3115, MAY 1988 – REVISED DECEMBER 2010

**switching characteristics over recommended ranges of supply voltage and operating free-air temperature (unless otherwise noted)**

| PARAMETER            | FROM (INPUT)                                   | TO (OUTPUT)    | TEST CONDITION   | MIN  | TYP† | MAX | UNIT |
|----------------------|--|----------------|--|------|------|-----|------|
| $f_{max}^{\ddagger}$ | without feedback                               |                | R1 = 390 $\Omega$ ,<br>R2 = 750 $\Omega$ ,<br>See Figure 6 | 62.5 |      |     | MHz  |
|                      | with internal feedback (counter configuration) |                |  | 62.5 |      |     |      |
|                      | with external feedback                         |                |  | 52.5 |      |     |      |
| $t_{pd}$             | I, I/O   | O, I/O         |  | 2    | 6    | 10  | ns   |
| $t_{pd}$             | CLK $\uparrow$                                 | Q              |  | 1    | 4    | 9   | ns   |
| $t_{pd}^{\S}$        | CLK $\uparrow$                                 | Feedback input |  | 5    |      |     | ns   |
| $t_{en}$             | OE $\downarrow$                                | Q              |  | 1    | 4    | 10  | ns   |
| $t_{dis}$            | OE $\uparrow$                                  | Q              |  | 1    | 4    | 10  | ns   |
| $t_{en}$             | I, I/O   | O, I/O         |  | 2    | 6    | 12  | ns   |
| $t_{dis}$            | I, I/O   | O, I/O         | 1  | 6    | 10   | ns  |      |

† All typical values are at  $V_{CC} = 5$  V,  $T_A = 25^\circ\text{C}$ .‡ See section for  $f_{max}$  specifications.  $f_{max}$  with external feedback is not production tested but is calculated from the equation found in the  $f_{max}$  section.§ This parameter applies to TIBPAL16R4' and TIBPAL16R6' only (see Figure 4 for illustration) and is calculated from the measured  $f_{max}$  with internal feedback in the counter configuration.

**TIBPAL16L8-7C, TIBPAL16R4-7C, TIBPAL16R6-7C, TIBPAL16R8-7C**  
**TIBPAL16L8-10M, TIBPAL16R4-10M, TIBPAL16R6-10M, TIBPAL16R8-10M**  
**HIGH-PERFORMANCE *IMPACT-X*™ PAL® CIRCUITS**

SRPS006E - D3115, MAY 1988 - REVISED DECEMBER 2010

## programming information

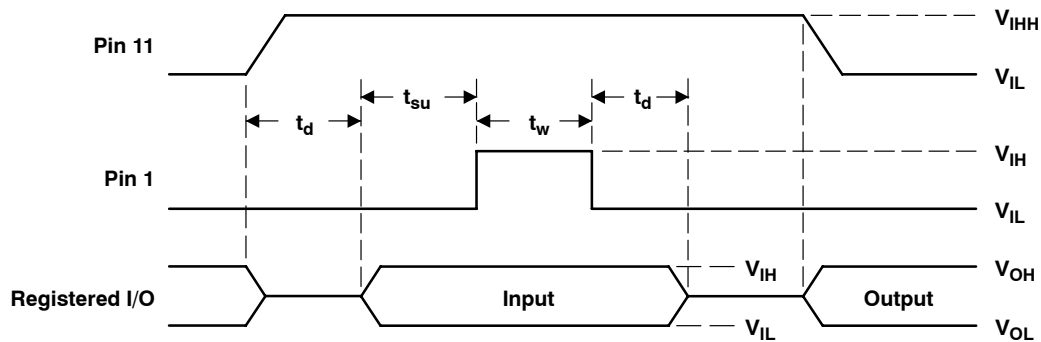
Texas Instruments programmable logic devices can be programmed using widely available software and inexpensive device programmers.

Complete programming specifications, algorithms, and the latest information on hardware, software, and firmware are available upon request. Information on programmers capable of programming Texas Instruments programmable logic is also available, upon request, from the nearest TI field sales office, local authorized TI distributor, or by calling Texas Instruments at (214) 997-5666.

## preload procedure for registered outputs (see Figure 1 and Note 3)

The output registers can be preloaded to any desired state during device testing. This permits any state to be tested without having to step through the entire state-machine sequence. Each register is preloaded individually by following the steps given below.

- Step 1. With  $V_{CC}$  at 5 volts and Pin 1 at  $V_{IL}$ , raise Pin 11 to  $V_{IHH}$ .
- Step 2. Apply either  $V_{IL}$  or  $V_{IH}$  to the output corresponding to the register to be preloaded.
- Step 3. Pulse Pin 1, clocking in preload data.
- Step 4. Remove output voltage, then lower Pin 11 to  $V_{IL}$ . Preload can be verified by observing the voltage level at the output pin.



**Figure 1. Preload Waveforms**

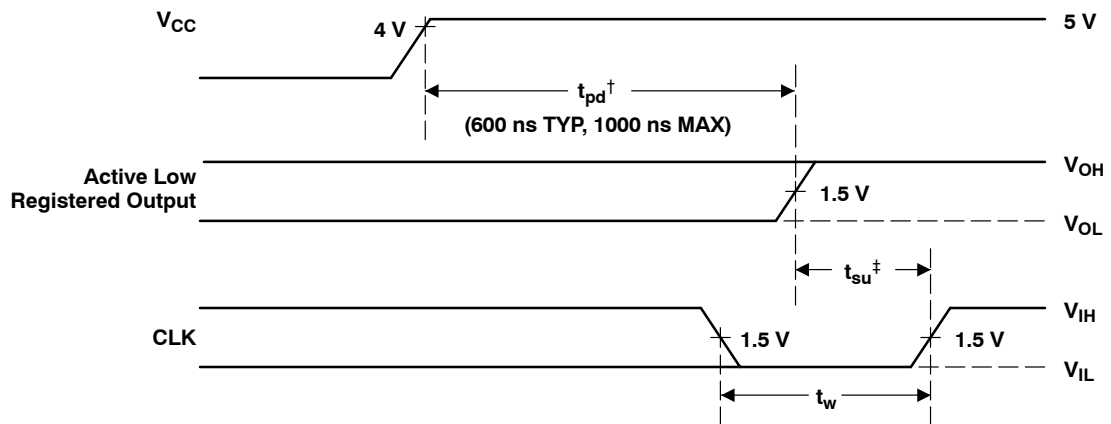
NOTE 3:  $t_d = t_{su} = t_h = 100$  ns to 1000 ns  $V_{IHH} = 10.25$  V to 10.75 v

**TIBPAL16L8-7C, TIBPAL16R4-7C, TIBPAL16R6-7C, TIBPAL16R8-7C**  
**TIBPAL16L8-10M, TIBPAL16R4-10M, TIBPAL16R6-10M, TIBPAL16R8-10M**  
**HIGH-PERFORMANCE *IMPACT-X*™ PAL® CIRCUITS**

SRPS006E - D3115, MAY 1988 - REVISED DECEMBER 2010

**power-up reset (see Figure 2)**

Following power up, all registers are reset to zero. This feature provides extra flexibility to the system designer and is especially valuable in simplifying state-machine initialization. To ensure a valid power-up reset, it is important that the rise of  $V_{CC}$  be monotonic. Following power-up reset, a low-to-high clock transition must not occur until all applicable input and feedback setup times are met.



<sup>†</sup> This is the power-up reset time and applies to registered outputs only. The values shown are from characterization data.

<sup>‡</sup> This is the setup time for input or feedback.

**Figure 2. Power-Up Reset Waveforms**

## $f_{\max}$ SPECIFICATIONS

### $f_{\max}$ without feedback, see Figure 3

In this mode, data is presented at the input to the flip-flop and clocked through to the Q output with no feedback. Under this condition, the clock period is limited by the sum of the data setup time and the data hold time ( $t_{su} + t_h$ ). However, the minimum  $f_{\max}$  is determined by the minimum clock period ( $t_w \text{ high} + t_w \text{ low}$ ).

$$\text{Thus, } f_{\max} \text{ without feedback} = \frac{1}{(t_{w\text{high}} + t_{w\text{low}})} \text{ or } \frac{1}{(t_{su} + t_h)}$$

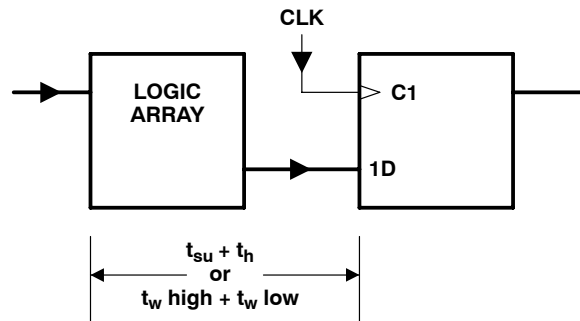


Figure 3.  $f_{\max}$  Without Feedback

### $f_{\max}$ with internal feedback, see Figure 4

This configuration is most popular in counters and on-chip state-machine designs. The flip-flop inputs are defined by the device inputs and flip-flop outputs. Under this condition, the period is limited by the internal delay from the flip-flop outputs through the internal feedback and logic array to the inputs of the next flip-flop.

$$\text{Thus, } f_{\max} \text{ with internal feedback} = \frac{1}{(t_{su} + t_{pd} \text{ CLK-to-FB})}$$

Where  $t_{pd} \text{ CLK-to-FB}$  is the deduced value of the delay from CLK to the input of the logic array.

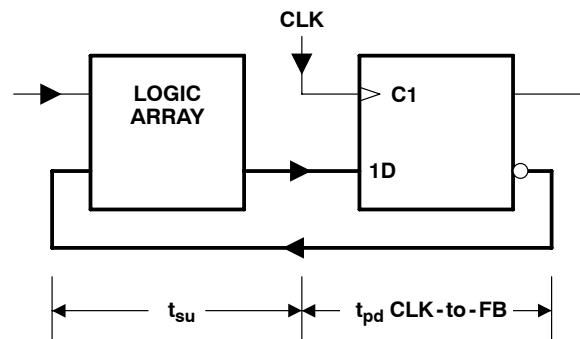


Figure 4.  $f_{\max}$  With Internal Feedback

TIBPAL16L8-7C, TIBPAL16R4-7C, TIBPAL16R6-7C, TIBPAL16R8-7C  
 TIBPAL16L8-10M, TIBPAL16R4-10M, TIBPAL16R6-10M, TIBPAL16R8-10M  
 HIGH-PERFORMANCE *IMPACT-X*™ *PAL*® CIRCUITS

SRPS006E - D3115, MAY 1988 - REVISED DECEMBER 2010

### $f_{\max}$ SPECIFICATIONS

#### $f_{\max}$ with external feedback, see Figure 5

This configuration is a typical state-machine design with feedback signals sent off-chip. This external feedback could go back to the device inputs or to a second device in a multi-chip state machine. The slowest path defining the period is the sum of the clock-to-output time and the input setup time for the external signals ( $t_{su} + t_{pd} \text{ CLK-to-Q}$ ).

$$\text{Thus, } f_{\max} \text{ with external feedback} = \frac{1}{(t_{su} + t_{pd} \text{ CLK-to-Q})}$$

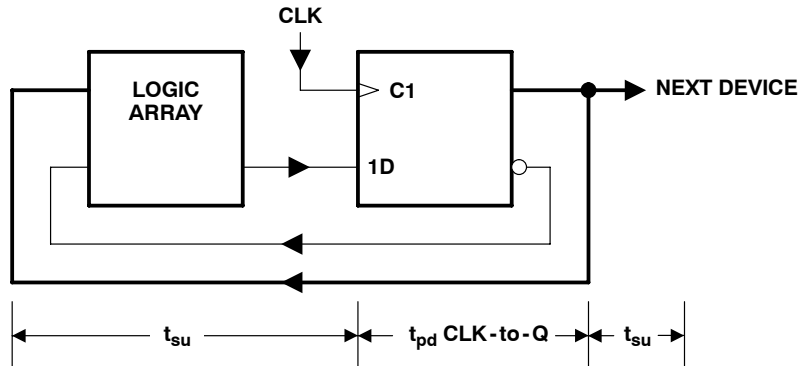


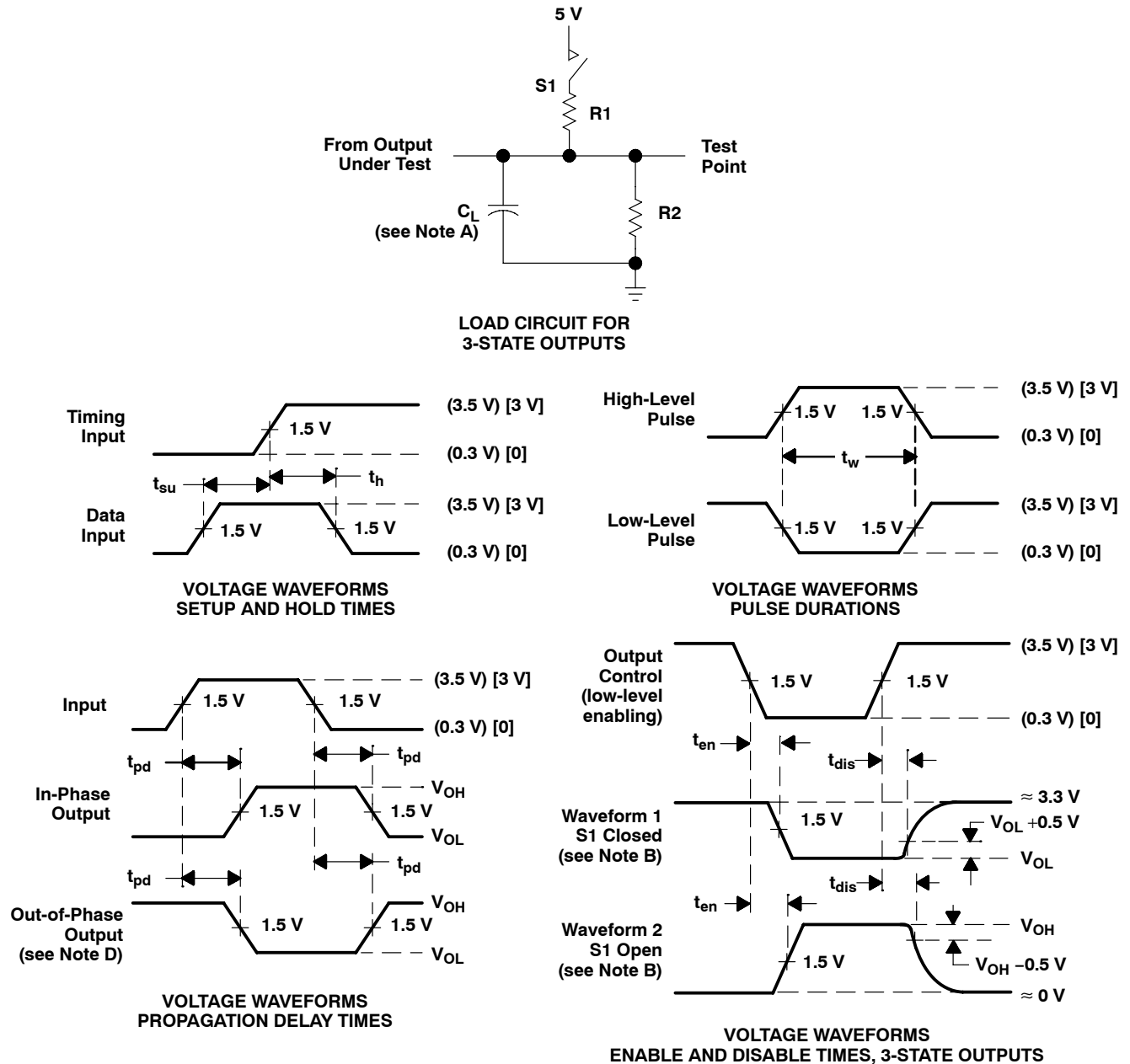
Figure 5.  $f_{\max}$  With External Feedback



TIBPAL16L8-7C, TIBPAL16R4-7C, TIBPAL16R6-7C, TIBPAL16R8-7C  
TIBPAL16L8-10M, TIBPAL16R4-10M, TIBPAL16R6-10M, TIBPAL16R8-10M  
HIGH-PERFORMANCE *IMPACT-X*™ *PAL*® CIRCUITS

SRPS006E - D3115, MAY 1988 - REVISED DECEMBER 2010

## PARAMETER MEASUREMENT INFORMATION



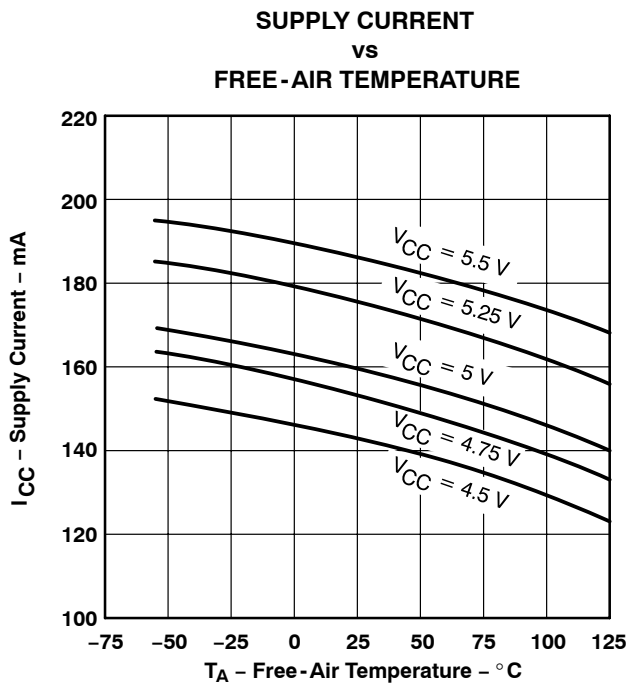
- NOTES: A.  $C_L$  includes probe and jig capacitance and is 50 pF for  $t_{pd}$  and  $t_{en}$ , 5 pF for  $t_{dis}$ .
- B. Waveform 1 is for an output with internal conditions such that the output is low except when disabled by the output control. Waveform 2 is for an output with internal conditions such that the output is high except when disabled by the output control.
- C. All input pulses have the following characteristics: For C suffix, use the voltage levels indicated in parentheses ( ),  $PRR \leq 1$  MHz,  $t_r = t_f = 2$  ns, duty cycle = 50%; For M suffix, use the voltage levels indicated in brackets [ ],  $PRR \leq 10$  MHz,  $t_r$  and  $t_f \leq 2$  ns, duty cycle = 50%.
- D. When measuring propagation delay times of 3-state outputs, switch S1 is closed.
- E. Equivalent loads may be used for testing.

Figure 6. Load Circuit and Voltage Waveforms

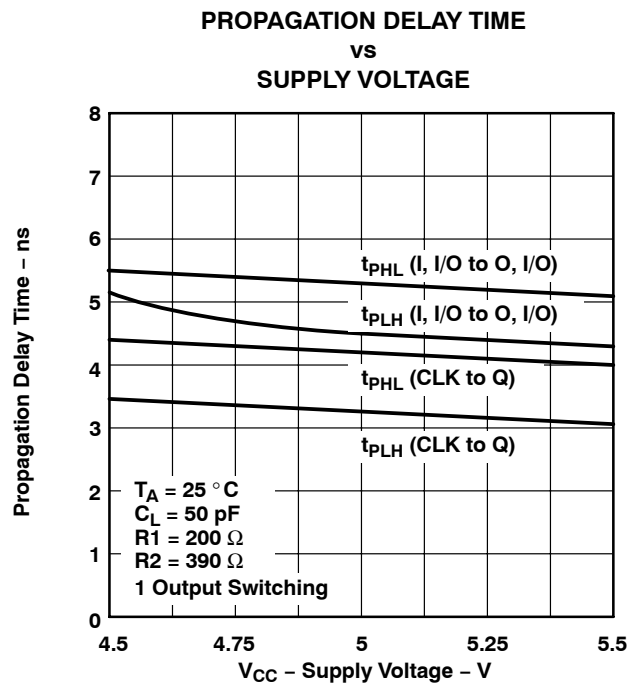
**TIBPAL16L8-7C, TIBPAL16R4-7C, TIBPAL16R6-7C, TIBPAL16R8-7C**  
**TIBPAL16L8-10M, TIBPAL16R4-10M, TIBPAL16R6-10M, TIBPAL16R8-10M**  
**HIGH-PERFORMANCE *IMPACT-X*™ *PAL*® CIRCUITS**

SRPS006E - D3115, MAY 1988 - REVISED DECEMBER 2010

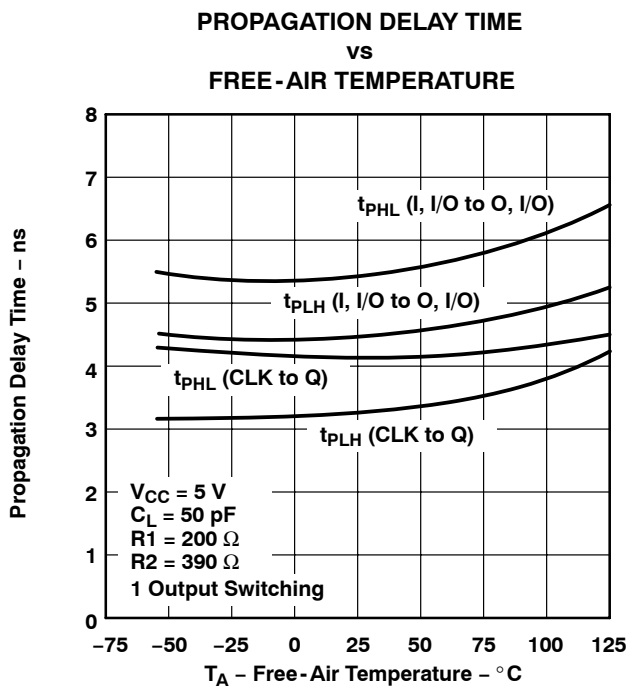
**TYPICAL CHARACTERISTICS**



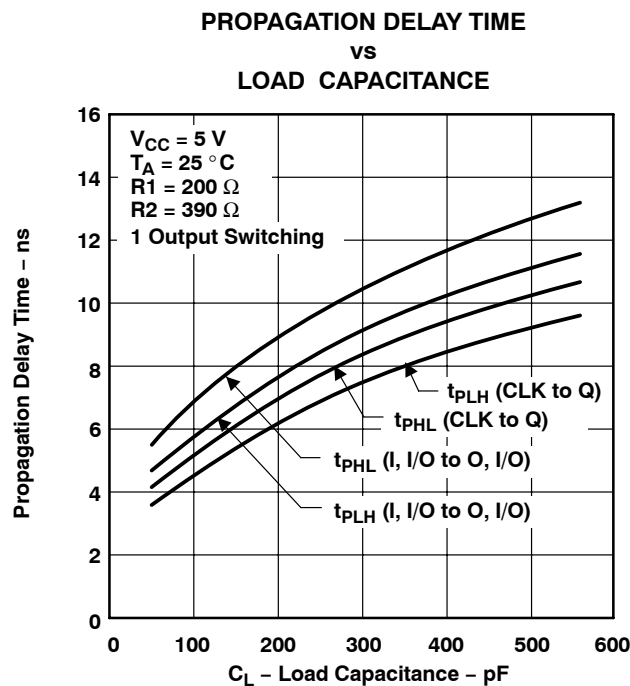
**Figure 7**



**Figure 8**



**Figure 9**



**Figure 10**

TIBPAL16L8-7C, TIBPAL16R4-7C, TIBPAL16R6-7C, TIBPAL16R8-7C  
 TIBPAL16L8-10M, TIBPAL16R4-10M, TIBPAL16R6-10M, TIBPAL16R8-10M  
 HIGH-PERFORMANCE *IMPACT-X*™ PAL® CIRCUITS

SRPS006E - D3115, MAY 1988 - REVISED DECEMBER 2010

TYPICAL CHARACTERISTICS

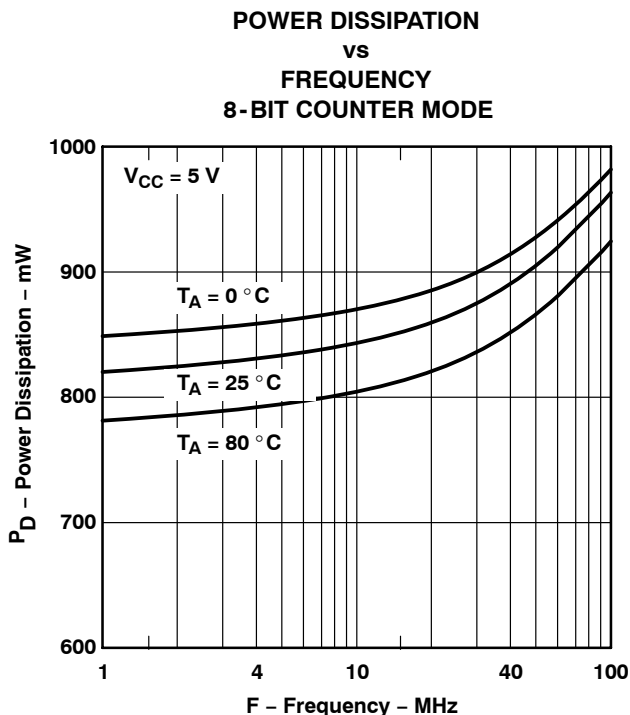


Figure 11

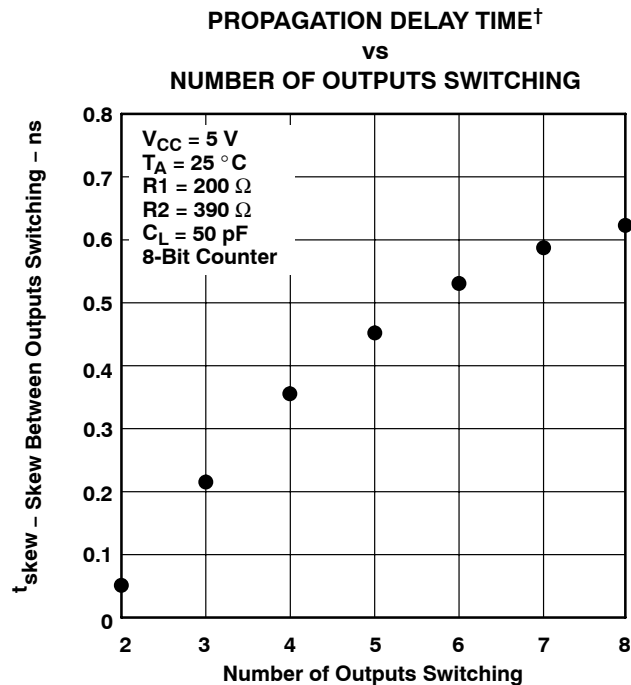


Figure 12

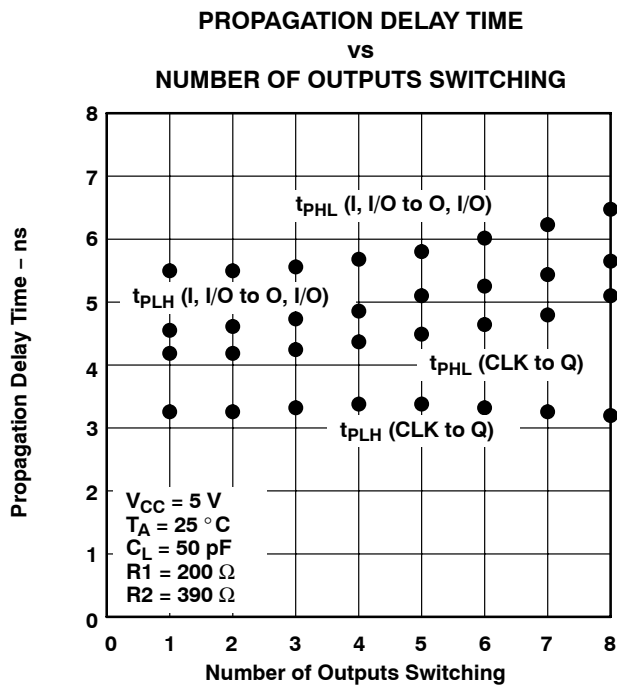


Figure 13

†Outputs switching in the same direction ( $t_{PLH}$  compared to  $t_{PLH}/t_{PHL}$  to  $t_{PHL}$ )

# TI North American Sales Offices

**ALABAMA:** Huntsville: (205) 837-7530  
**ARIZONA:** Phoenix: (602) 995-1007  
**CALIFORNIA:** Irvine: (714) 660-1200  
 San Diego: (619) 278-9600  
 Santa Clara: (408) 980-9000  
 Woodland Hills: (818) 704-8100  
**COLORADO:** Aurora: (303) 368-8000  
**CONNECTICUT:** Wallingford: (203) 269-0074  
**FLORIDA:** Altamonte Springs: (407) 260-2116  
 Fort Lauderdale: (305) 973-8502  
 Tampa: (813) 885-7588  
**GEORGIA:** Norcross: (404) 662-7967  
**ILLINOIS:** Arlington Heights: (708) 640-3000  
**INDIANA:** Carmel: (317) 573-6400  
 Fort Wayne: (219) 489-4697  
**KANSAS:** Overland Park: (913) 451-4511  
**MARYLAND:** Columbia: (410) 964-2003  
**MASSACHUSETTS:** Waltham: (617) 895-9100  
**MICHIGAN:** Farmington Hills: (313) 553-1581  
**MINNESOTA:** Eden Prairie: (612) 828-9300  
**MISSOURI:** St. Louis: (314) 821-8400  
**NEW JERSEY:** Iselin: (908) 750-1050  
**NEW MEXICO:** Albuquerque: (505) 345-2555  
**NEW YORK:** East Syracuse: (315) 463-9291  
 Fishkill: (914) 897-2900  
 Melville: (516) 454-6600  
 Pittsford: (716) 385-6770  
**NORTH CAROLINA:** Charlotte: (704) 527-0930  
 Raleigh: (919) 876-2725  
**OHIO:** Beachwood: (216) 765-7258  
 Beavercreek: (513) 427-6200  
**OREGON:** Beaverton: (503) 643-6758  
**PENNSYLVANIA:** Blue Bell: (215) 825-9500  
**PUERTO RICO:** Hato Rey: (809) 753-8700  
**TEXAS:** Austin: (512) 250-6769  
 Dallas: (214) 917-1264  
 Houston: (713) 778-6592  
 Midland: (915) 561-7137  
**UTAH:** Salt Lake City: (801) 466-8972  
**WISCONSIN:** Waukesha: (414) 798-1001  
**CANADA:** Nepean: (613) 726-1970  
 Richmond Hill: (416) 884-9181  
 St. Laurent: (514) 335-8392

# TI Regional Technology Centers

**CALIFORNIA:** Irvine: (714) 660-8140  
 Santa Clara: (408) 748-2222  
**GEORGIA:** Norcross: (404) 662-7945  
**ILLINOIS:** Arlington Heights: (708) 640-2909  
**INDIANA:** Indianapolis: (317) 573-6400  
**MASSACHUSETTS:** Waltham: (617) 895-9196  
**MEXICO:** Mexico City: 491-70834  
**MINNESOTA:** Minneapolis: (612) 828-9300  
**TEXAS:** Dallas: (214) 917-3881  
**CANADA:** Nepean: (613) 726-1970

## Customer Response Center

**TOLL FREE:** (800) 336-5236  
**OUTSIDE USA:** (214) 995-6611  
 (8:00 a.m. - 5:00 p.m. CST)

# TI Authorized North American Distributors

Alliance Electronics, Inc. (military product only)  
 Almac/Arrow  
 Anthem Electronics  
 Arrow/Schweber  
 Future Electronics (Canada)  
 GRS Electronics Co., Inc.  
 Hall-Mark Electronics  
 Marshall Industries  
 Newark Electronics  
 Rochester Electronics, Inc.  
 (obsolete product only) (508) 462-9332  
 Wyle Laboratories  
 Zeus Components

# TI Distributors

**ALABAMA:** Arrow/Schweber (205) 837-6955; Hall-Mark (205) 837-8700; Marshall (205) 881-9235.  
**ARIZONA:** Anthem (602) 966-6600; Arrow/Schweber (602) 437-0750; Hall-Mark (602) 431-0030; Marshall (602) 496-0290; Wyle (602) 437-2088.  
**CALIFORNIA: Los Angeles/Orange County:** Anthem (818) 775-1333, (714) 768-4444; Arrow/Schweber (818) 380-9686, (714) 838-5422; Hall-Mark (818) 773-4500, (714) 727-6000; Marshall (818) 878-7000, (714) 458-5301; Wyle (818) 880-9000, (714) 863-9953; Zeus (714) 921-9000, (818) 889-3838;  
**Sacramento:** Anthem (916) 624-9744; Hall-Mark (916) 624-9781; Marshall (916) 635-9700; Wyle (916) 638-5282;  
**San Diego:** Anthem (619) 453-9005; Arrow/Schweber (619) 565-4800; Hall-Mark (619) 268-1201; Marshall (619) 578-9600; Wyle (619) 565-9171; Zeus (619) 277-9681.  
**San Francisco Bay Area:** Anthem (408) 453-1200; Arrow/Schweber (408) 441-9700, (510) 430-9477; Hall-Mark (408) 432-4000; Marshall (408) 942-4600; Wyle (408) 727-2500; Zeus (408) 629-4789.  
**COLORADO:** Anthem (303) 790-4500; Arrow/Schweber (303) 799-0258; Hall-Mark (303) 790-1662; Marshall (303) 451-8383; Wyle (303) 457-9953.  
**CONNECTICUT:** Anthem (203) 575-1575; Arrow/Schweber (203) 265-7741; Hall-Mark (203) 271-2844; Marshall (203) 265-3822.  
**FLORIDA: Fort Lauderdale:** Arrow/Schweber (305) 429-8200; Hall-Mark (305) 971-9280; Marshall (305) 977-4880.  
**Orlando:** Arrow/Schweber (407) 333-9300; Hall-Mark (407) 830-5855; Marshall (407) 767-8585; Zeus (407) 788-9100.  
**Tampa:** Hall-Mark (813) 541-7440; Marshall (813) 573-1399.  
**GEORGIA:** Arrow/Schweber (404) 497-1300; Hall-Mark (404) 623-4400; Marshall (404) 923-5750.  
**ILLINOIS:** Anthem (708) 884-0200; Arrow/Schweber (708) 250-0500; Hall-Mark (312) 860-3800; Marshall (708) 490-0155; Newark (312) 784-5100.  
**INDIANA:** Arrow/Schweber (317) 299-2071; Hall-Mark (317) 872-8875; Marshall (317) 297-0483.  
**IOWA:** Arrow/Schweber (319) 395-7230.  
**KANSAS:** Arrow/Schweber (913) 541-9542; Hall-Mark (913) 888-4747; Marshall (913) 492-3121.  
**MARYLAND:** Anthem (301) 995-6640; Arrow/Schweber (301) 596-7800; Hall-Mark (301) 988-9800; Marshall (301) 622-1118; Zeus (301) 997-1118.  
**MASSACHUSETTS:** Anthem (508) 657-5170; Arrow/Schweber (508) 658-0900; Hall-Mark (508) 667-0902; Marshall (508) 658-0810; Wyle (617) 272-7300; Zeus (617) 246-8200.

**MICHIGAN: Detroit:** Arrow/Schweber (313) 462-2290; Hall-Mark (313) 416-5800; Marshall (313) 525-5850; Newark (313) 967-0600.  
**MINNESOTA:** Anthem (612) 944-5454; Arrow/Schweber (612) 941-5280; Hall-Mark (612) 881-2600; Marshall (612) 559-2211.  
**MISSOURI:** Arrow/Schweber (314) 567-6888; Hall-Mark (314) 291-5350; Marshall (314) 291-4650.  
**NEW JERSEY:** Anthem (201) 227-7960; Arrow/Schweber (201) 227-7880, (609) 596-8000; Hall-Mark (201) 515-3000, (609) 235-1900; Marshall (201) 882-0320, (609) 234-9100.  
**NEW MEXICO:** Alliance (505) 292-3360.  
**NEW YORK: Long Island:** Anthem (516) 864-6600; Arrow/Schweber (516) 231-1000; Hall-Mark (516) 737-0600; Marshall (516) 273-2424; Zeus (914) 937-7400.  
**Rochester:** Arrow/Schweber (716) 427-0300; Hall-Mark (716) 425-3300; Marshall (716) 235-7620.  
**Syracuse:** Marshall (607) 785-2345.  
**NORTH CAROLINA:** Arrow/Schweber (919) 876-3132; Hall-Mark (919) 872-0712; Marshall (919) 878-9882.  
**OHIO: Cleveland:** Arrow/Schweber (216) 248-3990; Hall-Mark (216) 349-4632; Marshall (216) 248-1788.  
**Columbus:** Hall-Mark (614) 888-3313.  
**Dayton:** Arrow/Schweber (513) 435-5563; Marshall (513) 898-4480; Zeus (513) 293-6162.  
**OKLAHOMA:** Arrow/Schweber (918) 252-7537; Hall-Mark (918) 254-6110.  
**OREGON:** Almac/Arrow (503) 629-8090; Anthem (503) 643-1114; Marshall (503) 644-5050; Wyle (503) 643-7900.  
**PENNSYLVANIA:** Anthem (215) 443-5150; Arrow/Schweber (215) 928-1800; GRS (215) 922-7037; (609) 964-8560; Marshall (412) 788-0441.  
**TEXAS: Austin:** Arrow/Schweber (512) 835-4180; Hall-Mark (512) 258-8848; Marshall (512) 837-1991; Wyle (512) 345-8853;  
**Dallas:** Anthem (214) 238-7100; Arrow/Schweber (214) 380-6464; Hall-Mark (214) 553-4300; Marshall (214) 233-5200; Wyle (214) 235-9953; Zeus (214) 783-7010;  
**Houston:** Arrow/Schweber (713) 530-4700; Hall-Mark (713) 781-6100; Marshall (713) 467-1666; Wyle (713) 879-9953.  
**UTAH:** Anthem (801) 973-8555; Arrow/Schweber (801) 973-6913; Marshall (801) 973-2288; Wyle (801) 974-9953.  
**WASHINGTON:** Almac/Arrow (206) 643-9992, Anthem (206) 483-1700; Marshall (206) 486-5747; Wyle (206) 881-1150.  
**WISCONSIN:** Arrow/Schweber (414) 792-0150; Hall-Mark (414) 797-7844; Marshall (414) 797-8400.  
**CANADA: Calgary:** Future (403) 235-5325;  
**Edmonton:** Future (403) 438-2858;  
**Montreal:** Arrow/Schweber (514) 421-7411; Future (514) 694-7710; Marshall (514) 694-8142  
**Ottawa:** Arrow/Schweber (613) 226-6903; Future (613) 820-8313.  
**Quebec:** Future (418) 897-6666.  
**Toronto:** Arrow/Schweber (416) 670-7769; Future (416) 612-9200; Marshall (416) 458-8046.  
**Vancouver:** Arrow/Schweber (604) 421-2333; Future (604) 294-1166.

## TI Die Processors

Chip Supply (407) 298-7100  
 Elmo Semiconductor (818) 768-7400  
 Minco Technology Labs (512) 834-2022



D0892

**PACKAGING INFORMATION**

| Orderable Device  | Status<br>(1) | Package Type | Package Drawing | Pins | Package Qty | Eco Plan<br>(2)            | Lead/Ball Finish<br>(6) | MSL Peak Temp<br>(3) | Op Temp (°C) | Device Marking<br>(4/5)                 | Samples |
|-------------------|---------------|--------------|-----------------|------|-------------|----------------------------|-------------------------|----------------------|--------------|---|---------|
| 5962-85155172A    | OBSOLETE      | LCCC         | FK              | 20   |             | TBD                        | Call TI                 | Call TI              | -55 to 125   |   |         |
| 5962-8515517RA    | OBSOLETE      | CDIP         | J               | 20   |             | TBD                        | Call TI                 | Call TI              | -55 to 125   |   |         |
| 5962-8515517SA    | OBSOLETE      | CFP          | W               | 20   |             | TBD                        | Call TI                 | Call TI              | -55 to 125   |   |         |
| 5962-85155182A    | NRND          | LCCC         | FK              | 20   | 1           | TBD                        | POST-PLATE              | N / A for Pkg Type   | -55 to 125   | 5962-85155182A<br>TIBPAL16<br>R8-10MFKB |         |
| 5962-8515518RA    | NRND          | CDIP         | J               | 20   | 1           | TBD                        | A42                     | N / A for Pkg Type   | -55 to 125   | 5962-8515518RA<br>TIBPAL16R8-10M<br>JB  |         |
| 5962-8515518SA    | NRND          | CFP          | W               | 20   | 1           | TBD                        | A42                     | N / A for Pkg Type   | -55 to 125   | 5962-8515518SA<br>TIBPAL16R8-10M<br>WB  |         |
| 5962-85155192A    | OBSOLETE      | LCCC         | FK              | 20   |             | TBD                        | Call TI                 | Call TI              | -55 to 125   |   |         |
| 5962-8515519RA    | OBSOLETE      | CDIP         | J               | 20   |             | TBD                        | Call TI                 | Call TI              | -55 to 125   |   |         |
| 5962-8515519SA    | OBSOLETE      | CFP          | W               | 20   |             | TBD                        | Call TI                 | Call TI              | -55 to 125   |   |         |
| 5962-85155202A    | OBSOLETE      | LCCC         | FK              | 20   |             | TBD                        | Call TI                 | Call TI              | -55 to 125   |   |         |
| 5962-8515520RA    | OBSOLETE      | CDIP         | J               | 20   |             | TBD                        | Call TI                 | Call TI              | -55 to 125   |   |         |
| 5962-8515520SA    | OBSOLETE      | CFP          | W               | 20   |             | TBD                        | Call TI                 | Call TI              | -55 to 125   |   |         |
| TIBPAL16L8-10MFKB | OBSOLETE      | LCCC         | FK              | 20   |             | TBD                        | Call TI                 | Call TI              | -55 to 125   | 5962-85155172A<br>TIBPAL16<br>L8-10MFKB |         |
| TIBPAL16L8-10MJB  | OBSOLETE      | CDIP         | J               | 20   |             | TBD                        | A42                     | N / A for Pkg Type   | -55 to 125   | 5962-8515517RA<br>TIBPAL16L8-10M<br>JB  |         |
| TIBPAL16L8-10MWB  | OBSOLETE      | CFP          | W               | 20   |             | TBD                        | Call TI                 | Call TI              | -55 to 125   | 5962-8515517SA<br>TIBPAL16L8-10M<br>WB  |         |
| TIBPAL16L8-7CFN   | LIFEBUY       | PLCC         | FN              | 20   | 46          | Green (RoHS<br>& no Sb/Br) | CU NIPDAU               | Level-3-245C-168 HR  | 0 to 75      | 16L8-7                                  |         |
| TIBPAL16L8-7CN    | LIFEBUY       | PDIP         | N               | 20   | 20          | Pb-Free<br>(RoHS)          | CU NIPDAU               | N / A for Pkg Type   | 0 to 75      | TIBPAL16L8-7CN                          |         |
| TIBPAL16R4-10MFKB | OBSOLETE      | LCCC         | FK              | 20   |             | TBD                        | Call TI                 | Call TI              | -55 to 125   |   |         |

| Orderable Device  | Status<br>(1) | Package Type | Package Drawing | Pins | Package Qty | Eco Plan<br>(2) | Lead/Ball Finish<br>(6) | MSL Peak Temp<br>(3) | Op Temp (°C) | Device Marking<br>(4/5)                 | Samples |
|-------------------|---------------|--------------|-----------------|------|-------------|-----------------|-------------------------|----------------------|--------------|---|---------|
| TIBPAL16R4-10MJB  | OBSOLETE      | CDIP         | J               | 20   |             | TBD             | Call TI                 | Call TI              | -55 to 125   |   |         |
| TIBPAL16R4-10MWB  | OBSOLETE      | CFP          | W               | 20   |             | TBD             | Call TI                 | Call TI              | -55 to 125   |   |         |
| TIBPAL16R4-7CFN   | OBSOLETE      | PLCC         | FN              | 20   |             | TBD             | Call TI                 | Call TI              | 0 to 75      |   |         |
| TIBPAL16R4-7CN    | OBSOLETE      | PDIP         | N               | 20   |             | TBD             | Call TI                 | Call TI              | 0 to 75      |   |         |
| TIBPAL16R6-10MFKB | OBSOLETE      | LCCC         | FK              | 20   |             | TBD             | Call TI                 | Call TI              | -55 to 125   | 5962-85155192A<br>TIBPAL16<br>R6-10MFKB |         |
| TIBPAL16R6-10MJB  | OBSOLETE      | CDIP         | J               | 20   |             | TBD             | Call TI                 | Call TI              | -55 to 125   | 5962-8515519RA<br>TIBPAL16R6-10M<br>JB  |         |
| TIBPAL16R6-10MWB  | OBSOLETE      | CFP          | W               | 20   |             | TBD             | Call TI                 | Call TI              | -55 to 125   | 5962-8515519SA<br>TIBPAL16R6-10M<br>WB  |         |
| TIBPAL16R6-7CFN   | OBSOLETE      | PLCC         | FN              | 20   |             | TBD             | Call TI                 | Call TI              | 0 to 75      | 16R6-7                                  |         |
| TIBPAL16R6-7CN    | OBSOLETE      | PDIP         | N               | 20   |             | TBD             | Call TI                 | Call TI              | 0 to 75      | TIBPAL16R6-7CN                          |         |
| TIBPAL16R8-10MFKB | NRND          | LCCC         | FK              | 20   | 1           | TBD             | POST-PLATE              | N / A for Pkg Type   | -55 to 125   | 5962-85155182A<br>TIBPAL16<br>R8-10MFKB |         |
| TIBPAL16R8-10MJB  | NRND          | CDIP         | J               | 20   | 1           | TBD             | A42                     | N / A for Pkg Type   | -55 to 125   | 5962-8515518RA<br>TIBPAL16R8-10M<br>JB  |         |
| TIBPAL16R8-10MWB  | NRND          | CFP          | W               | 20   | 1           | TBD             | A42                     | N / A for Pkg Type   | -55 to 125   | 5962-8515518SA<br>TIBPAL16R8-10M<br>WB  |         |
| TIBPAL16R8-7CFN   | OBSOLETE      | PLCC         | FN              | 20   |             | TBD             | Call TI                 | Call TI              | 0 to 75      |   |         |
| TIBPAL16R8-7CN    | OBSOLETE      | PDIP         | N               | 20   |             | TBD             | Call TI                 | Call TI              | 0 to 75      |   |         |

(1) The marketing status values are defined as follows:

**ACTIVE:** Product device recommended for new designs.

**LIFEBUY:** TI has announced that the device will be discontinued, and a lifetime-buy period is in effect.

**NRND:** Not recommended for new designs. Device is in production to support existing customers, but TI does not recommend using this part in a new design.

**PREVIEW:** Device has been announced but is not in production. Samples may or may not be available.

**OBSOLETE:** TI has discontinued the production of the device.

<sup>(2)</sup> Eco Plan - The planned eco-friendly classification: Pb-Free (RoHS), Pb-Free (RoHS Exempt), or Green (RoHS & no Sb/Br) - please check <http://www.ti.com/productcontent> for the latest availability information and additional product content details.

**TBD:** The Pb-Free/Green conversion plan has not been defined.

**Pb-Free (RoHS):** TI's terms "Lead-Free" or "Pb-Free" mean semiconductor products that are compatible with the current RoHS requirements for all 6 substances, including the requirement that lead not exceed 0.1% by weight in homogeneous materials. Where designed to be soldered at high temperatures, TI Pb-Free products are suitable for use in specified lead-free processes.

**Pb-Free (RoHS Exempt):** This component has a RoHS exemption for either 1) lead-based flip-chip solder bumps used between the die and package, or 2) lead-based die adhesive used between the die and leadframe. The component is otherwise considered Pb-Free (RoHS compatible) as defined above.

**Green (RoHS & no Sb/Br):** TI defines "Green" to mean Pb-Free (RoHS compatible), and free of Bromine (Br) and Antimony (Sb) based flame retardants (Br or Sb do not exceed 0.1% by weight in homogeneous material)

<sup>(3)</sup> MSL, Peak Temp. - The Moisture Sensitivity Level rating according to the JEDEC industry standard classifications, and peak solder temperature.

<sup>(4)</sup> There may be additional marking, which relates to the logo, the lot trace code information, or the environmental category on the device.

<sup>(5)</sup> Multiple Device Markings will be inside parentheses. Only one Device Marking contained in parentheses and separated by a "~" will appear on a device. If a line is indented then it is a continuation of the previous line and the two combined represent the entire Device Marking for that device.

<sup>(6)</sup> Lead/Ball Finish - Orderable Devices may have multiple material finish options. Finish options are separated by a vertical ruled line. Lead/Ball Finish values may wrap to two lines if the finish value exceeds the maximum column width.

**Important Information and Disclaimer:** The information provided on this page represents TI's knowledge and belief as of the date that it is provided. TI bases its knowledge and belief on information provided by third parties, and makes no representation or warranty as to the accuracy of such information. Efforts are underway to better integrate information from third parties. TI has taken and continues to take reasonable steps to provide representative and accurate information but may not have conducted destructive testing or chemical analysis on incoming materials and chemicals. TI and TI suppliers consider certain information to be proprietary, and thus CAS numbers and other limited information may not be available for release.

In no event shall TI's liability arising out of such information exceed the total purchase price of the TI part(s) at issue in this document sold by TI to Customer on an annual basis.

J (R-GDIP-T\*\*)

14 LEADS SHOWN

CERAMIC DUAL IN-LINE PACKAGE



| DIM \ PINS ** | 14                     | 16                     | 18                     | 20                     |
|---------------|------------------------|------------------------|------------------------|------------------------|
| A             | 0.300<br>(7,62)<br>BSC | 0.300<br>(7,62)<br>BSC | 0.300<br>(7,62)<br>BSC | 0.300<br>(7,62)<br>BSC |
| B MAX         | 0.785<br>(19,94)       | .840<br>(21,34)        | 0.960<br>(24,38)       | 1.060<br>(26,92)       |
| B MIN         | —                      | —                      | —                      | —                      |
| C MAX         | 0.300<br>(7,62)        | 0.300<br>(7,62)        | 0.310<br>(7,87)        | 0.300<br>(7,62)        |
| C MIN         | 0.245<br>(6,22)        | 0.245<br>(6,22)        | 0.220<br>(5,59)        | 0.245<br>(6,22)        |



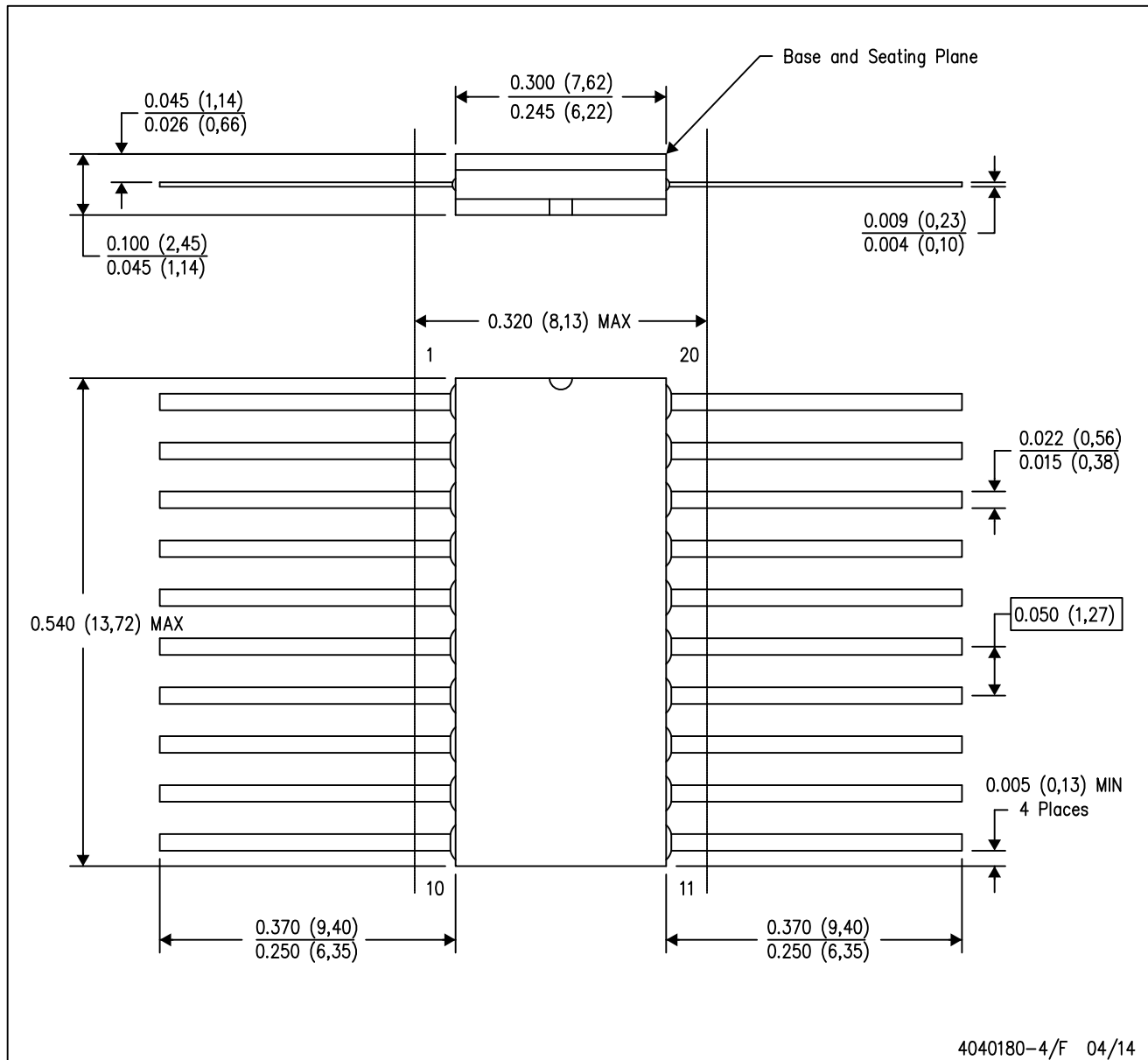
4040083/F 03/03

- NOTES:
- All linear dimensions are in inches (millimeters).
  - This drawing is subject to change without notice.
  - This package is hermetically sealed with a ceramic lid using glass frit.
  - Index point is provided on cap for terminal identification only on press ceramic glass frit seal only.
  - Falls within MIL STD 1835 GDIP1-T14, GDIP1-T16, GDIP1-T18 and GDIP1-T20.



W (R-GDFP-F20)

CERAMIC DUAL FLATPACK



- NOTES:
- A. All linear dimensions are in inches (millimeters).
  - B. This drawing is subject to change without notice.
  - C. This package can be hermetically sealed with a ceramic lid using glass frit.
  - D. Index point is provided on cap for terminal identification only.
  - E. Falls within Mil-Std 1835 GDFP2-F20

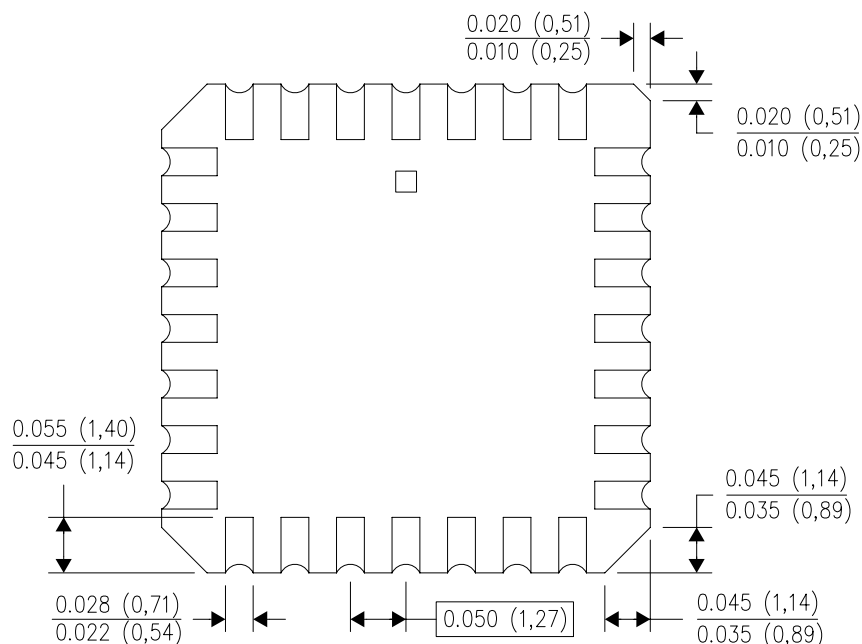
FK (S-CQCC-N\*\*)

LEADLESS CERAMIC CHIP CARRIER

28 TERMINAL SHOWN



| NO. OF TERMINALS ** | A                |                  | B                |                  |
|---------------------|------------------|------------------|------------------|------------------|
|                     | MIN              | MAX              | MIN              | MAX              |
| 20                  | 0.342<br>(8,69)  | 0.358<br>(9,09)  | 0.307<br>(7,80)  | 0.358<br>(9,09)  |
| 28                  | 0.442<br>(11,23) | 0.458<br>(11,63) | 0.406<br>(10,31) | 0.458<br>(11,63) |
| 44                  | 0.640<br>(16,26) | 0.660<br>(16,76) | 0.495<br>(12,58) | 0.560<br>(14,22) |
| 52                  | 0.740<br>(18,78) | 0.761<br>(19,32) | 0.495<br>(12,58) | 0.560<br>(14,22) |
| 68                  | 0.938<br>(23,83) | 0.962<br>(24,43) | 0.850<br>(21,6)  | 0.858<br>(21,8)  |
| 84                  | 1.141<br>(28,99) | 1.165<br>(29,59) | 1.047<br>(26,6)  | 1.063<br>(27,0)  |



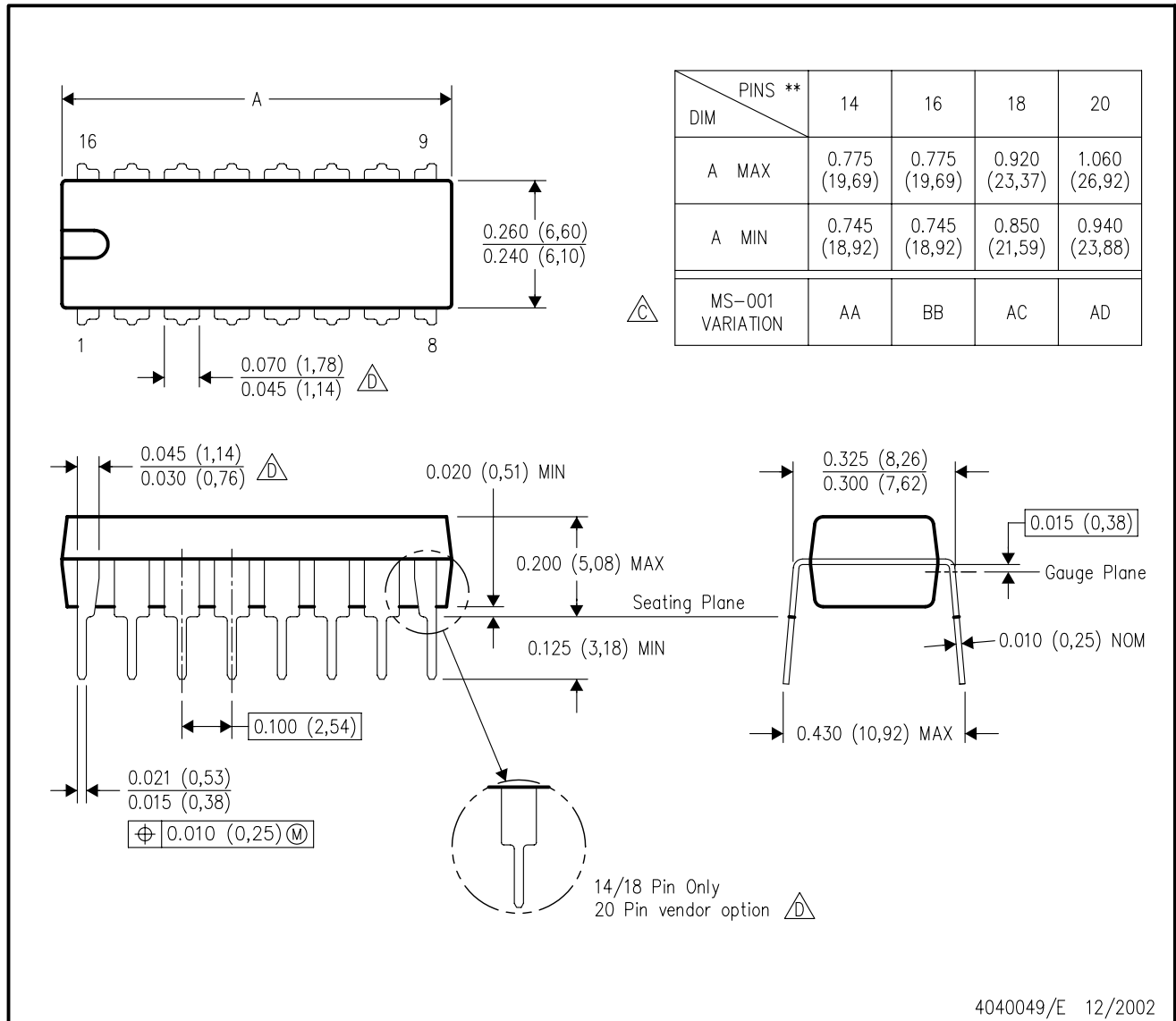
4040140/D 01/11

- NOTES:
- All linear dimensions are in inches (millimeters).
  - This drawing is subject to change without notice.
  - This package can be hermetically sealed with a metal lid.
  - Falls within JEDEC MS-004

N (R-PDIP-T\*\*)

PLASTIC DUAL-IN-LINE PACKAGE

16 PINS SHOWN

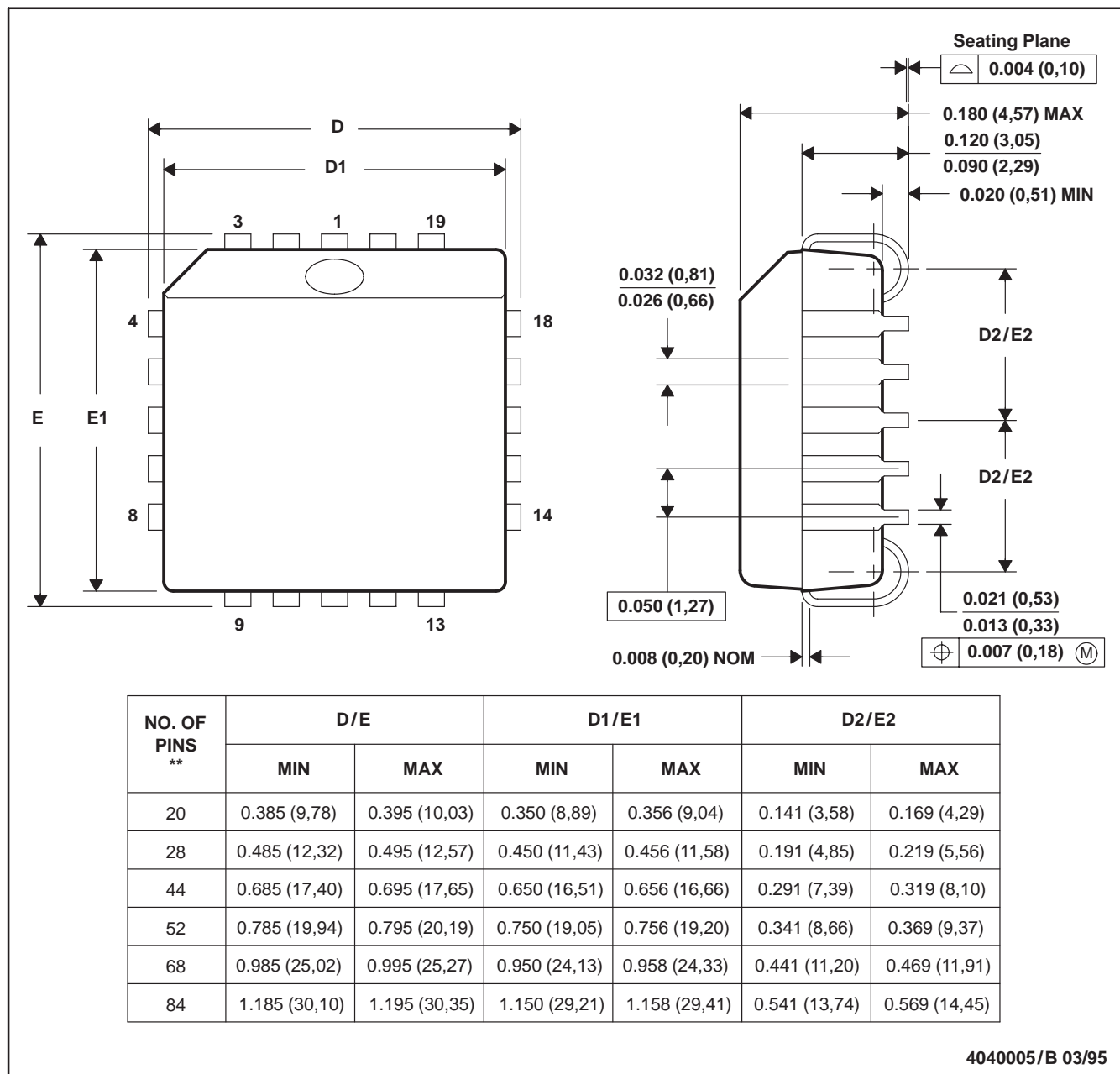


- NOTES:
- A. All linear dimensions are in inches (millimeters).
  - B. This drawing is subject to change without notice.
  - Falls within JEDEC MS-001, except 18 and 20 pin minimum body length (Dim A).
  - The 20 pin end lead shoulder width is a vendor option, either half or full width.

FN (S-PQCC-J\*\*)

PLASTIC J-LEADED CHIP CARRIER

20 PIN SHOWN



- NOTES: A. All linear dimensions are in inches (millimeters).  
 B. This drawing is subject to change without notice.  
 C. Falls within JEDEC MS-018

## IMPORTANT NOTICE

Texas Instruments Incorporated and its subsidiaries (TI) reserve the right to make corrections, enhancements, improvements and other changes to its semiconductor products and services per JESD46, latest issue, and to discontinue any product or service per JESD48, latest issue. Buyers should obtain the latest relevant information before placing orders and should verify that such information is current and complete. All semiconductor products (also referred to herein as "components") are sold subject to TI's terms and conditions of sale supplied at the time of order acknowledgment.

TI warrants performance of its components to the specifications applicable at the time of sale, in accordance with the warranty in TI's terms and conditions of sale of semiconductor products. Testing and other quality control techniques are used to the extent TI deems necessary to support this warranty. Except where mandated by applicable law, testing of all parameters of each component is not necessarily performed.

TI assumes no liability for applications assistance or the design of Buyers' products. Buyers are responsible for their products and applications using TI components. To minimize the risks associated with Buyers' products and applications, Buyers should provide adequate design and operating safeguards.

TI does not warrant or represent that any license, either express or implied, is granted under any patent right, copyright, mask work right, or other intellectual property right relating to any combination, machine, or process in which TI components or services are used. Information published by TI regarding third-party products or services does not constitute a license to use such products or services or a warranty or endorsement thereof. Use of such information may require a license from a third party under the patents or other intellectual property of the third party, or a license from TI under the patents or other intellectual property of TI.

Reproduction of significant portions of TI information in TI data books or data sheets is permissible only if reproduction is without alteration and is accompanied by all associated warranties, conditions, limitations, and notices. TI is not responsible or liable for such altered documentation. Information of third parties may be subject to additional restrictions.

Resale of TI components or services with statements different from or beyond the parameters stated by TI for that component or service voids all express and any implied warranties for the associated TI component or service and is an unfair and deceptive business practice. TI is not responsible or liable for any such statements.

Buyer acknowledges and agrees that it is solely responsible for compliance with all legal, regulatory and safety-related requirements concerning its products, and any use of TI components in its applications, notwithstanding any applications-related information or support that may be provided by TI. Buyer represents and agrees that it has all the necessary expertise to create and implement safeguards which anticipate dangerous consequences of failures, monitor failures and their consequences, lessen the likelihood of failures that might cause harm and take appropriate remedial actions. Buyer will fully indemnify TI and its representatives against any damages arising out of the use of any TI components in safety-critical applications.

In some cases, TI components may be promoted specifically to facilitate safety-related applications. With such components, TI's goal is to help enable customers to design and create their own end-product solutions that meet applicable functional safety standards and requirements. Nonetheless, such components are subject to these terms.

No TI components are authorized for use in FDA Class III (or similar life-critical medical equipment) unless authorized officers of the parties have executed a special agreement specifically governing such use.

Only those TI components which TI has specifically designated as military grade or "enhanced plastic" are designed and intended for use in military/aerospace applications or environments. Buyer acknowledges and agrees that any military or aerospace use of TI components which have **not** been so designated is solely at the Buyer's risk, and that Buyer is solely responsible for compliance with all legal and regulatory requirements in connection with such use.

TI has specifically designated certain components as meeting ISO/TS16949 requirements, mainly for automotive use. In any case of use of non-designated products, TI will not be responsible for any failure to meet ISO/TS16949.

### Products

|                              |  |
|------------------------------|--|
| Audio                        | <a href="http://www.ti.com/audio">www.ti.com/audio</a>                               |
| Amplifiers                   | <a href="http://amplifier.ti.com">amplifier.ti.com</a>                               |
| Data Converters              | <a href="http://dataconverter.ti.com">dataconverter.ti.com</a>                       |
| DLP® Products                | <a href="http://www.dlp.com">www.dlp.com</a>   |
| DSP                          | <a href="http://dsp.ti.com">dsp.ti.com</a>   |
| Clocks and Timers            | <a href="http://www.ti.com/clocks">www.ti.com/clocks</a>                             |
| Interface                    | <a href="http://interface.ti.com">interface.ti.com</a>                               |
| Logic                        | <a href="http://logic.ti.com">logic.ti.com</a>                                       |
| Power Mgmt                   | <a href="http://power.ti.com">power.ti.com</a>                                       |
| Microcontrollers             | <a href="http://microcontroller.ti.com">microcontroller.ti.com</a>                   |
| RFID                         | <a href="http://www.ti-rfid.com">www.ti-rfid.com</a>                                 |
| OMAP Applications Processors | <a href="http://www.ti.com/omap">www.ti.com/omap</a>                                 |
| Wireless Connectivity        | <a href="http://www.ti.com/wirelessconnectivity">www.ti.com/wirelessconnectivity</a> |

### Applications

|                               |  |
|-------------------------------|--|
| Automotive and Transportation | <a href="http://www.ti.com/automotive">www.ti.com/automotive</a>                         |
| Communications and Telecom    | <a href="http://www.ti.com/communications">www.ti.com/communications</a>                 |
| Computers and Peripherals     | <a href="http://www.ti.com/computers">www.ti.com/computers</a>                           |
| Consumer Electronics          | <a href="http://www.ti.com/consumer-apps">www.ti.com/consumer-apps</a>                   |
| Energy and Lighting           | <a href="http://www.ti.com/energy">www.ti.com/energy</a>                                 |
| Industrial                    | <a href="http://www.ti.com/industrial">www.ti.com/industrial</a>                         |
| Medical                       | <a href="http://www.ti.com/medical">www.ti.com/medical</a>                               |
| Security                      | <a href="http://www.ti.com/security">www.ti.com/security</a>                             |
| Space, Avionics and Defense   | <a href="http://www.ti.com/space-avionics-defense">www.ti.com/space-avionics-defense</a> |
| Video and Imaging             | <a href="http://www.ti.com/video">www.ti.com/video</a>                                   |

### TI E2E Community

[e2e.ti.com](http://e2e.ti.com)