



Mallory Sonalert Products, Inc.

Part #:

SBS12M0FL

Sales Outline Drawing

Revision:

D

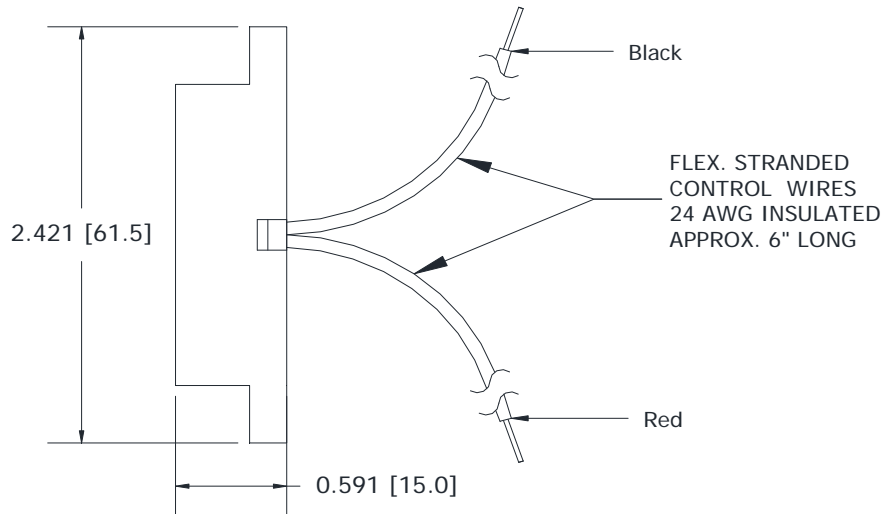
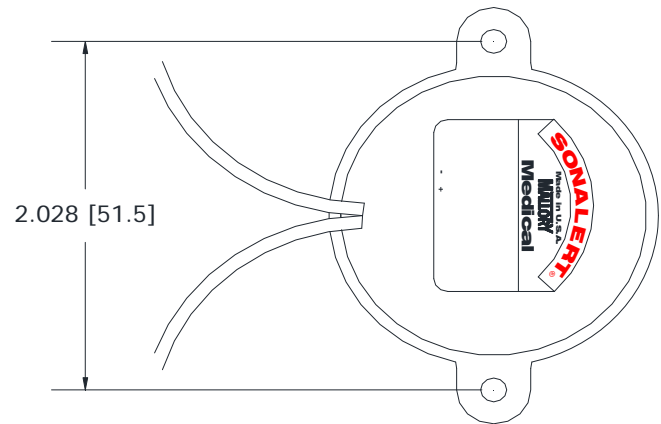
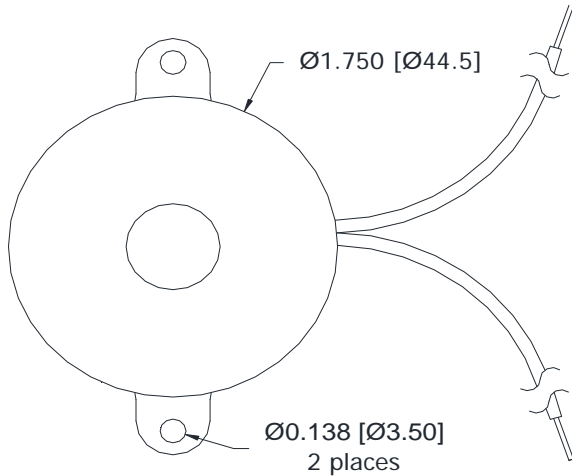
Specifications:

Capable of meeting Medical Spec IEC60601-1-1-8

Sound Level Category:	Extra Loud
Mode of Operation:	Continuous
Loudness @ 2 FT:	95 to 105 dB(A) Typ.
Frequency:	150 to 4000 Hz
Voltage Rating:	9 to 12 VDC
Average Current Draw:	<300mA Typ.
Ipk Current*:	400mA
Housing Material:	ABS 777D Plastic Resin, Black
Storage Temperature:	-40° to +85° C
Operating Temperature:	-30° to +65° C
Weight Typical:	1.1 oz (32g)
Options:	Please contact factory.

Dimensions: Inches [mm]

ROHS Compliant



*Ipk = Instantaneous Peak