

PLEASE CHECK WWW.MOLEX.COM FOR LATEST PART INFORMATION

Part Number: **0190050001**
Status: **Active**
Overview: Standard Quick-Disconnect Terminals
Description: InsulKrimp™ Fully Insulated Coupler, Female, for 18-22 AWG Wire, Box

Documents:

3D Model	Product Specification PS-19902-011 (PDF)
Drawing (PDF)	Product Specification PS-19902-013 (PDF)
Product Specification PS-19902-008 (PDF)	RoHS Certificate of Compliance (PDF)

Agency Certification

CSA	LR18689
UL	E79133

General

Product Family	Quick Disconnects
Series	<u>19005</u>
Crimp Quality Equipment	Yes
Insulated	Fully
MolexKits	Yes
Overview	<u>Standard Quick-Disconnect Terminals</u>
Product Name	InsulKrimp™
Type	Quick Disconnect
UPC	800753030411

Physical

Barrel Type	Closed
Color - Resin	Red
Flammability	94V-2
Gender	Female
Glow-Wire Compliant	Yes
Insulation	Nylon (PA)
Lock to Mating Part	None
Material - Metal	Brass
Material - Plating Mating	Tin
Material - Plating Termination	Tin
Material - Resin	Nylon
Net Weight	1.089/g
Orientation	Straight
Packaging Type	Bag
Polarized to Mating Part	No
Tab Thickness	0.81mm
Tab Width	6.35mm
Temperature Range - Operating	-65°C to +105°C
Wire Insulation Diameter	4.19mm max.
Wire Size AWG	18, 20, 22
Wire Size mm²	0.35 - 0.80

Electrical

Voltage - Maximum	600V
-------------------	------

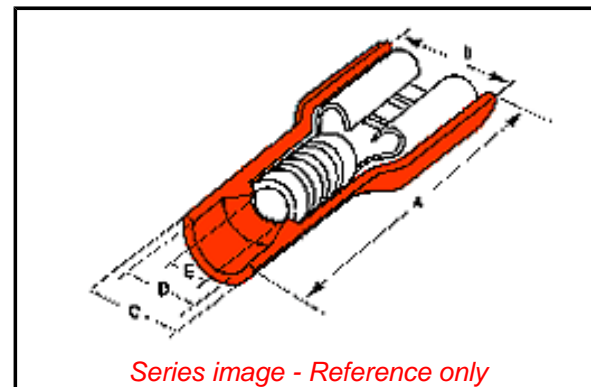
Solder Process Data

Lead-free Process Capability	N/A
------------------------------	-----

Material Info

Old Part Number	AA-2261
-----------------	---------

Reference - Drawing Numbers



Series image - Reference only

EU ELV

Not Relevant

EU RoHS

Compliant

REACH SVHC

Contains SVHC(2015 June 15): No

Halogen-Free

Status

Low-Halogen

Need more information on product environmental compliance?

Email productcompliance@molex.com
Please visit the [Contact Us](#) section for any non-product compliance questions.

China ROHS

ELV

Green Image

Not Relevant

Search Parts in this Series

19005 Series

Use With

19004-0001 , 19004-0004

Application Tooling | FAQ

Tooling specifications and manuals are found by selecting the products below. Crimp Height Specifications are then contained in the Application Tooling Specification document.

Global

Description	Product #
Crimp Head for the AT-200™ Pneumatic Hand Tool	<u>0640054700</u>
Hand Crimp Tool	<u>0640014700</u>

This document was generated on 09/08/2015

PLEASE CHECK WWW.MOLEX.COM FOR LATEST PART INFORMATION