

PLEASE CHECK WWW.MOLEX.COM FOR LATEST PART INFORMATION

Part Number: [0539275019](#)
Status: **Active**
Overview: [CompactFlash™](#)
Description: 1.27mm Pitch CF Card Header - Right Angle, Surface Mount Reverse Mounting For Type I Cards, Tray Packaging

Documents:

[3D Model](#) [Product Specification PS-55022-004 \(PDF\)](#)
[Drawing \(PDF\)](#) [RoHS Certificate of Compliance \(PDF\)](#)

General

Product Family	Memory Card Sockets
Series	53927
Component Type	Header/Socket (Host)
Overview	CompactFlash™
Product Name	CompactFlash
Style	Guide and Holder
Type	I
UPC	822348186747

Physical

Card Detection Switch	N/A
Circuits (Loaded)	50
Color - Resin	Natural
Durability (mating cycles max)	10,000
Ejector Button	No
Ejector Button Side	N/A
Entry Angle	90° Angle (Side Entry)
Keying to Mating Part	Yes
Material - Metal	Phosphor Bronze
Material - Resin	High Temperature Thermoplastic
Net Weight	3292.000/mg
PCB Mounting Side	Reverse
PCB Retention	Yes
Packaging Type	Tray
Pitch - Mating Interface	1.27mm
Ports	1
Temperature Range - Operating	-20°C to +90°C
Termination Interface: Style	Surface Mount

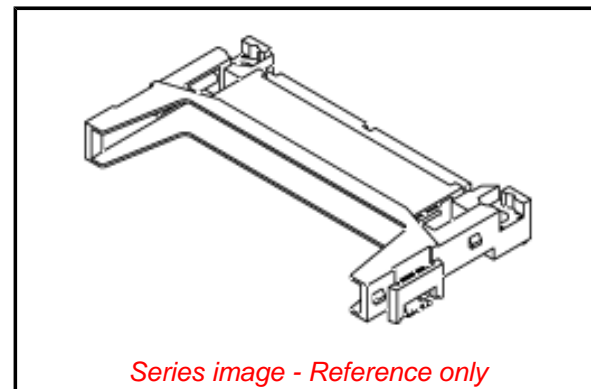
Electrical

Current - Maximum per Contact	0.5A
Voltage - Maximum	100V AC
Voltage Key	3.3V, 5.0V

Material Info

Reference - Drawing Numbers

Product Specification	PS-55022-004
Sales Drawing	SD-53927-001



Series image - Reference only

EU ELV

Not Relevant

EU RoHS

Compliant

REACH SVHC

Contains SVHC(2015 June 15): No

Halogen-Free

Status

Low-Halogen

Need more information on product environmental compliance?

Email productcompliance@molex.com
Please visit the [Contact Us](#) section for any non-product compliance questions.

China ROHS

ELV

Green Image

Not Relevant

Search Parts in this Series

[53927](#) Series

Mates With

[67003](#) , [67114](#) , Industry Standard CF Card

Use With

[55021](#) , [55022](#)