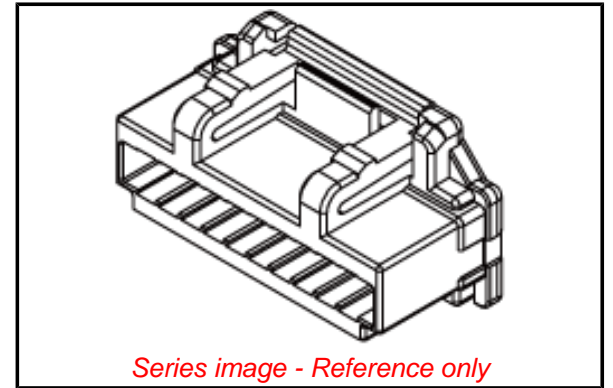


PLEASE CHECK WWW.MOLEX.COM FOR LATEST PART INFORMATION

Part Number: [5031102000](#)
Status: **Active**
Overview: Duo-Clasp™ Wire-to-Board System
Description: 1.25mm Pitch Duo-Clasp™ Wire-to-Board Housing, Dual Row, Positive Lock, 20 Circuits

Documents:

3D Model	Application Specification AS-503110-001 (PDF)
Drawing (PDF)	Application Specification AS-503110-002 (PDF)
Product Specification PS-501931-002 (PDF)	Packaging Specification SPK-503110-001 (PDF)
Product Specification PS-501931-003 (PDF)	RoHS Certificate of Compliance (PDF)



Agency Certification

UL E29179

General

Product Family	Crimp Housings
Series	503110
Application	Signal, Wire-to-Board
Overview	Duo-Clasp™ Wire-to-Board System
Product Name	Duo-Clasp™
UPC	800756934112

Physical

Breakaway	No
Circuits (maximum)	20
Color - Resin	White
Gender	Plug
Glow-Wire Compliant	No
Keying to Mating Part	Yes
Lock to Mating Part	Yes
Net Weight	315.000/mg
Number of Rows	2
Packaging Type	Bag
Panel Mount	No
Pitch - Mating Interface	1.25mm
Pitch - Termination Interface	1.25mm
Polarized to Mating Part	Yes
Ports	1
Stackable	No
Temperature Range - Operating	-25°C to +85°C

Electrical

Current - Maximum per Contact 1.0A

Material Info

Reference - Drawing Numbers

Application Specification	AS-503110-001, AS-503110-002
Packaging Specification	SPK-503110-001
Product Specification	PS-501931-002, PS-501931-003, RPS-501931-002, RPS-501931-003, RPS-501931-004, RPS-501931-005, RPS-501931-006, RPS-501931-007, RPS-501931-008, RPS-501931-009
Sales Drawing	SD-503110-001

EU ELV

Not Relevant

EU RoHS

Compliant

REACH SVHC

Contains SVHC(2015 June 15): No

Halogen-Free

Status

Not Low-Halogen

Need more information on product environmental compliance?

Email productcompliance@molex.com
Please visit the [Contact Us](#) section for any non-product compliance questions.

China ROHS

ELV

China RoHS

Green Image

Not Relevant

Search Parts in this Series

[503110](#) Series

Mates With

[501931](#) PCB Receptacle . [502046](#) PCB Receptacle

Use With

[501930](#) Crimp Terminal

This document was generated on 09/02/2015

PLEASE CHECK WWW.MOLEX.COM FOR LATEST PART INFORMATION