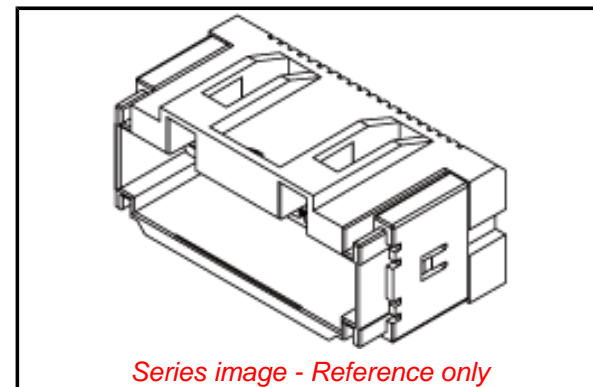


**PLEASE CHECK WWW.MOLEX.COM FOR LATEST PART INFORMATION**

**Part Number:** [5020464070](#)  
**Status:** **Active**  
**Overview:** Duo-Clasp™ Wire-to-Board System  
**Description:** 1.25mm Pitch Duo-Clasp™ Wire-to-Board PCB Receptacle, Dual Row, Right Angle, 40 Circuits

**Documents:**

<a href="#">3D Model</a>	<a href="#">Application Specification AS-503110-002 (PDF)</a>
<a href="#">Drawing (PDF)</a>	<a href="#">Packaging Specification SPK-502046-001 (PDF)</a>
<a href="#">Product Specification PS-501931-002 (PDF)</a>	<a href="#">RoHS Certificate of Compliance (PDF)</a>
<a href="#">Application Specification AS-503110-001 (PDF)</a>	



**Agency Certification**

UL E29179

**General**

Product Family	PCB Receptacles
Series	502046
Application	Signal, Wire-to-Board
Overview	<a href="#">Duo-Clasp™ Wire-to-Board System</a>
Product Name	Duo-Clasp™
UPC	822350606196

**Physical**

Circuits (Loaded)	40
Circuits (maximum)	40
Color - Resin	Natural
Durability (mating cycles max)	30
Glow-Wire Compliant	No
Guide to Mating Part	Yes
Keying to Mating Part	Yes
Lock to Mating Part	Yes
Mated Height	7.85mm
Material - Metal	Copper Alloy
Material - Plating Mating	Gold
Material - Plating Termination	Tin
Net Weight	1674.880/mg
Number of Rows	2
Orientation	Right Angle
PCB Locator	No
PCB Retention	Yes
Packaging Type	Embossed Tape on Reel
Pitch - Mating Interface	1.25mm
Polarized to Mating Part	Yes
Polarized to PCB	No
Stackable	No
Temperature Range - Operating	-25°C to +85°C
Termination Interface: Style	Surface Mount

**Electrical**

Current - Maximum per Contact	1.0A
Voltage - Maximum	50V AC (RMS)/DC

**Material Info**

**Reference - Drawing Numbers**

Application Specification	AS-503110-001, AS-503110-002
Packaging Specification	SPK-502046-001

**EU ELV**

**Not Relevant**

**EU RoHS**

**Compliant**

**REACH SVHC**

Contains SVHC(2014 December 17): No

**Halogen-Free**

**Status**

**Not Low-Halogen**

**Need more information on product environmental compliance?**

Email [productcompliance@molex.com](mailto:productcompliance@molex.com)  
Please visit the [Contact Us](#) section for any non-product compliance questions.

China ROHS

ELV

Green Image

Not Relevant

**Search Parts in this Series**

[502046](#) Series

**Mates With**

[503110](#) Crimp Housing . [501930](#) Crimp Terminal

Product Specification

Sales Drawing

PS-501931-002, RPS-501931-002, RPS-501931-003,  
RPS-501931-004, RPS-501931-007  
SD-502046-001, SD-502046-002

This document was generated on 07/01/2015

**PLEASE CHECK [WWW.MOLEX.COM](http://WWW.MOLEX.COM) FOR LATEST PART INFORMATION**