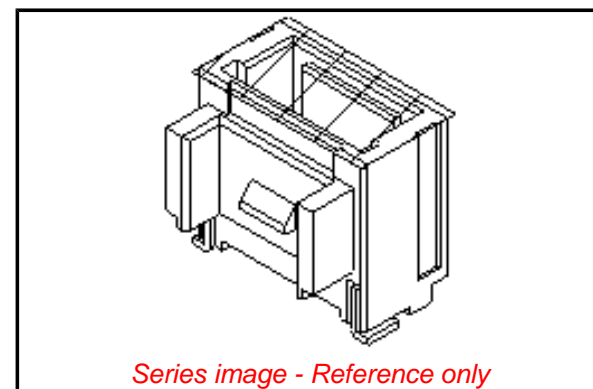


**PLEASE CHECK WWW.MOLEX.COM FOR LATEST PART INFORMATION**

**Part Number:** [5019400307](#)  
**Status:** **Active**  
**Overview:** Pico-Clasp™ Wire-to-Board Connectors  
**Description:** 1.00mm Pitch Pico-Clasp™ Wire-to-Board Header, Surface Mount, Single Row, Vertical, 3 Circuits, with Cover Tape

**Documents:**

<a href="#">3D Model</a>	<a href="#">Product Specification PS-501953-001 (PDF)</a>
<a href="#">Drawing (PDF)</a>	<a href="#">Packaging Specification SPK-501940-001 (PDF)</a>
<a href="#">Product Specification PS-501940-001 (PDF)</a>	<a href="#">RoHS Certificate of Compliance (PDF)</a>



**General**

Product Family	PCB Headers
Series	501940
Application	Signal, Wire-to-Board
Overview	<u>Pico-Clasp™ Wire-to-Board Connectors</u>
Product Name	Pico-Clasp™
UPC	822350287050

**Physical**

Breakaway	No
Circuits (Loaded)	3
Circuits (maximum)	3
Color - Resin	Natural
Durability (mating cycles max)	30
First Mate / Last Break	No
Glow-Wire Compliant	No
Guide to Mating Part	No
Keying to Mating Part	None
Lock to Mating Part	Yes
Mated Height	7.30mm
Material - Metal	Phosphor Bronze
Material - Plating Mating	Tin
Material - Plating Termination	Tin
Material - Resin	High Temperature Thermoplastic
Net Weight	104.600/mg
Number of Rows	1
Orientation	Vertical
PCB Locator	No
PCB Retention	Yes
Packaging Type	Embossed Tape on Reel
Pitch - Mating Interface	1.00mm
Plating min - Mating	1.016µm
Plating min - Termination	1.016µm
Polarized to Mating Part	Yes
Polarized to PCB	No
Shrouded	Fully
Stackable	No
Temperature Range - Operating	-40°C to +85°C
Termination Interface: Style	Surface Mount

**Electrical**

Current - Maximum per Contact	1.0A
Voltage - Maximum	50V

**Material Info**

**Reference - Drawing Numbers**

**EU ELV**

**Not Relevant**

**EU RoHS**

**Compliant**

**REACH SVHC**

Contains SVHC(2015 June 15): No

**Halogen-Free**

**Status**

**Not Low-Halogen**

**Need more information on product environmental compliance?**

Email [productcompliance@molex.com](mailto:productcompliance@molex.com)  
Please visit the [Contact Us](#) section for any non-product compliance questions.

China ROHS  
ELV

Green Image  
Not Relevant

**Search Parts in this Series**

[501940 Series](#)

**Mates With**

[501939 Pico-Clasp™ Wire-to-Board Housing](#)

Packaging Specification  
Product Specification

Sales Drawing

SPK-501940-001  
PS-501940-001, PS-501953-001, RPS-501940-001,  
RPS-501940-002, RPS-501940-004, RPS-501940-006,  
RPS-501940-007  
SD-501940-001, SD-501940-002

This document was generated on 09/18/2015

**PLEASE CHECK [WWW.MOLEX.COM](http://WWW.MOLEX.COM) FOR LATEST PART INFORMATION**