

PLEASE CHECK WWW.MOLEX.COM FOR LATEST PART INFORMATION

Part Number: [5019530507](#)
Status: **Active**
Overview: Pico-Clasp™ Wire-to-Board Connectors
Description: 1.00mm Pitch Pico-Clasp™ Wire-to-Board Header, Surface Mount, Single Row, Right Angle, 5 Circuits

Documents:

[3D Model](#) [Product Specification PS-501953-001 \(PDF\)](#)
[Drawing \(PDF\)](#) [RoHS Certificate of Compliance \(PDF\)](#)
[Product Specification PS-501940-001 \(PDF\)](#)

General

Product Family PCB Headers
 Series [501953](#)
 Application Signal, Wire-to-Board
 Overview Pico-Clasp™ Wire-to-Board Connectors
 Product Name Pico-Clasp™
 UPC 822350294133

Physical

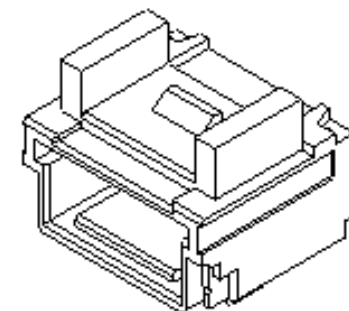
Breakaway No
 Circuits (Loaded) 5
 Circuits (maximum) 5
 Color - Resin Natural
 Durability (mating cycles max) 30
 First Mate / Last Break No
 Glow-Wire Compliant No
 Guide to Mating Part No
 Keying to Mating Part None
 Lock to Mating Part Yes
 Mated Height 4.75mm
 Material - Metal Brass, Phosphor Bronze
 Material - Plating Mating Tin
 Material - Plating Termination Tin
 Material - Resin High Temperature Thermoplastic
 Net Weight 147.200/mg
 Number of Rows 1
 Orientation Right Angle
 PCB Locator No
 PCB Retention Yes
 Packaging Type Embossed Tape on Reel
 Pitch - Mating Interface 1.00mm
 Plating min - Mating 1.016µm
 Plating min - Termination 1.016µm
 Polarized to Mating Part Yes
 Polarized to PCB No
 Shrouded Fully
 Stackable No
 Temperature Range - Operating -40°C to +85°C
 Termination Interface: Style Surface Mount

Electrical

Current - Maximum per Contact 1.0A
 Voltage - Maximum 50V

Material Info

Reference - Drawing Numbers



Series image - Reference only

EU ELV

Not Relevant

EU RoHS

Compliant

China RoHS

REACH SVHC

Contains SVHC(2015
 June 15): No

Halogen-Free

Status

Not Low-Halogen

**Need more information on product
 environmental compliance?**

Email productcompliance@molex.com
 Please visit the [Contact Us](#) section for any
 non-product compliance questions.

China ROHS

ELV

Green Image

Not Relevant

Search Parts in this Series

[501953](#) Series

Mates With

[501939](#) Pico-Clasp™ Wire-to-Board
 Housing

Product Specification

Sales Drawing

PS-501940-001, PS-501953-001, RPS-501940-001,
RPS-501940-002, RPS-501940-004, RPS-501940-007
SD-501953-001, SD-501953-002, SD-501953-003,
SD-501953-004

This document was generated on 09/18/2015

PLEASE CHECK WWW.MOLEX.COM FOR LATEST PART INFORMATION