

For use with TO-220 packages

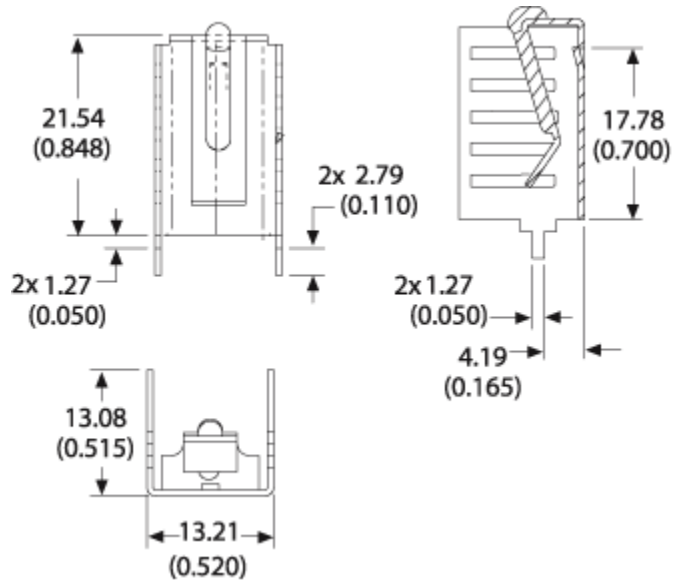
Part Number - 7136DG

RoHS  Compliant

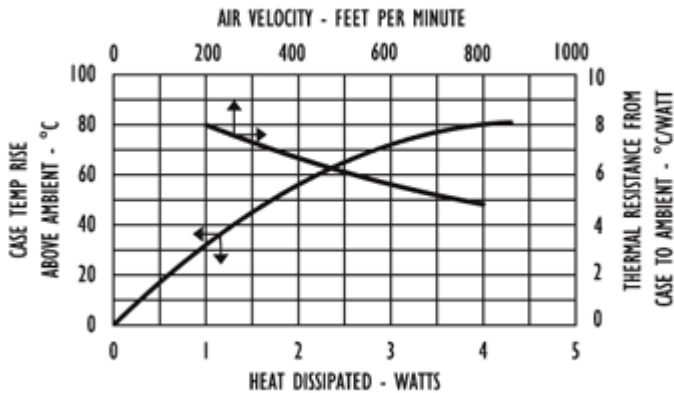
Product Change Notice 



### Mechanical Outline Drawing



### Thermal Curves



Thermal Resistance	19.70
--------------------	-------

Thermal resistance value is based on a 75° C rise in natural convection

## Product Information

Part #	Description	Finish	Board Mounting
7136DG	Channel style heat sink featuring integrated mounting clip	Matte Tin Finish	<a href="#">View Hole Dimensions</a>

This non-electronic component is functionally unaffected by the normal soldering or reflow processes used for semiconductor circuits. The heat resistance time or heat resistance temperature is not applicable for the component.