

For use with TO-220 packages

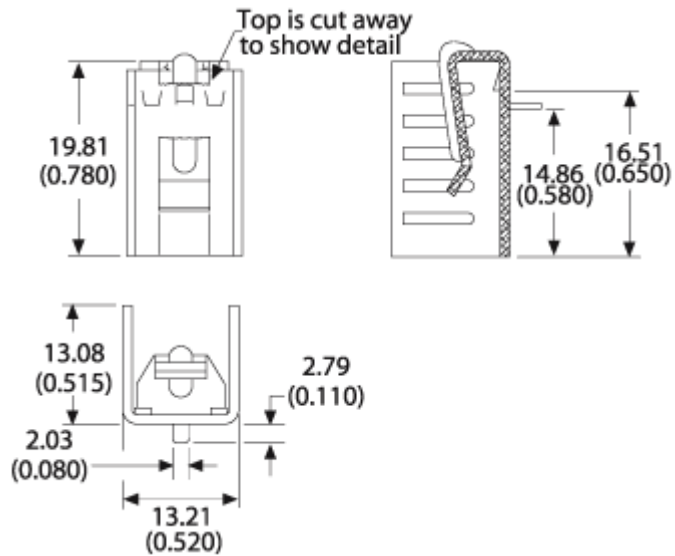
Part Number - 7139DG

VIS - 042013

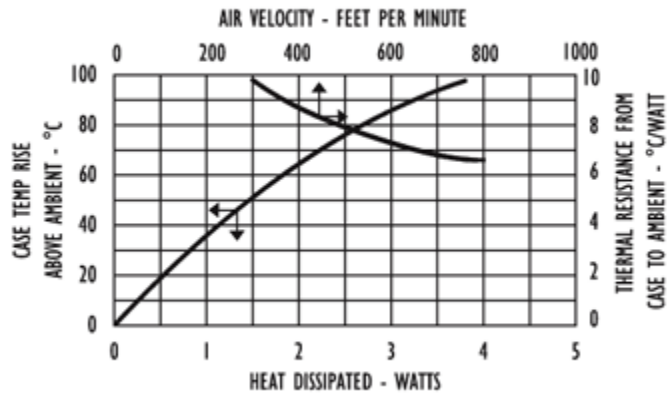
RoHS 
Compliant



Mechanical Outline Drawing



Thermal Curves



Thermal Resistance	28.30
---------------------------	-------

Thermal resistance value is based on a 75°C rise in natural convection

Product Information

Part #	Description	Finish
7139DG	Copper channel style slide on heat sink featuring integrated mounting clip	Matte Tin Plated