

ServSwitch (Secure), Mini Chassis Style

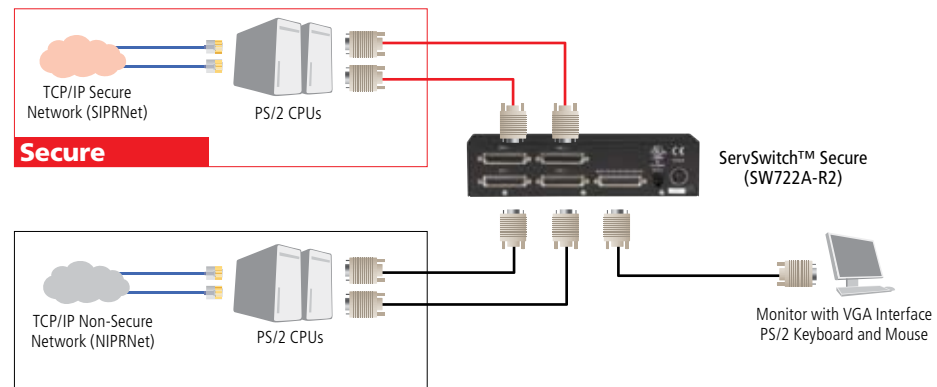
This ServSwitch is TEMPEST approved
for use with secure/classified systems.



FEATURES

- » Microprocessor-controlled keyboard and mouse switching.
- » Mouse can be PS/2® or RS-232 type.
- » Supports all modes of IBM® PS/2 and compatible keyboards.
- » Supports SVGA; XGA, VGA, or EGA color or monochrome; CGA; and true monochrome video at resolutions up to 1280 x 1024 (although all video types except VGA, EGA, and CGA require coaxial or special cables).
- » Select desired CPU from keyboard, front panel, or RS-232 port.
- » Front-panel LEDs show selected CPU and its power-on state.
- » Remembers and restores Num Lock, Caps Lock, Scroll Lock, and keyboard mode among CPUs.
- » Screen-save function can turn off video after 1 to 999 seconds of inactivity.
- » Scan function can sequence between CPUs every 1 to 15 seconds.
- » You can program the keyboard's typematic rate and delay.
- » Custom settings for each CPU can be saved in nonvolatile memory.
- » Rackmount kits are available.

With the ServSwitch™ Secure, what's on one network can never cross to the other.



OVERVIEW

This TEMPEST approved *ServSwitch™* enables you to use one keyboard, monitor, and mouse to access a number of IBM PC compatible computers, so you can significantly reduce your equipment overhead and end keyboard and monitor clutter.

Because it's TEMPEST approved, the *ServSwitch* is ideal for government approved applications.

The *ServSwitch (Secure)* enables you to share one keyboard, monitor, and mouse between two or four CPUs.

Select the CPU via the keyboard. The *ServSwitch* automatically detects keyboard scan mode. It's compatible with VGA or EGA video.

We recommend that you use only one type of video (either VGA or EGA). To mix video types, use a multisync monitor.

The video bandwidth supported by the *ServSwitch* is approximately 100 MHz, depending on the cable lengths used.

Why Buy From Black Box? Exceptional Value. Exceptional Tech Support. Period.

Recognize any of these situations?

- You wait more than 30 minutes to get through to a vendor's tech support.
- The so-called "tech" can't help you or gives you the wrong answer.
- You don't have a purchase order number and the tech refuses to help you.
- It's 9 p.m. and you need help, but your vendor's tech support line is closed.

According to a survey by *Data Communications* magazine, 90% of network managers surveyed say that getting the technical support they need is extremely important when choosing a vendor. But even though network managers pay anywhere from 10 to 20% of their overall purchase price for a basic service and support contract, the technical support and service they receive falls far short of their expectations—and certainly isn't worth what they paid.

At Black Box, we guarantee the best value and the best support. You can even consult our Technical Support Experts before you buy if you need help selecting just the right component for your application.

Don't waste time and money—call Black Box today.



SW721A-R2: front view



SW722A-R2: rear view

TECH SPECS

Compliance — FCC Class A, DOC Class/MDC classe A

Data Formats — RS-232: 8 data bits, 1 stop bit, no parity

Enclosure — Steel

Maximum Distance — Depending on the CPU, monitor, and video resolution, either: 25 ft. (7.6 m) of total original ServSwitch cable from the keyboard, monitor, and mouse to any CPU, including up to 5 ft. (1.5 m) from any ServSwitch to any other ServSwitch unit (submaster) attached to it; or 20 ft. (6.1 m) of coaxial cable—possibly as much as 100 ft. (30.5 m), depending on CPUs—from any ServSwitch to any device attached to it; Also, 50 ft. (15.2 m) of serial cable from any ServSwitch RS-232 port to a non-local computer

Protocols — RS-232: Asynchronous

Resolution — With original ServSwitch cabling: Up to 1024 x 768; With coaxial or special cabling: Up to 1280 x 1024

Speed — RS-232: 9600 bps

Standards —

With original ServSwitch cabling: VGA (color, monochrome, or page white), EGA (color or monochrome), or CGA video;

With original ServSwitch cabling (minimal) or coaxial cabling (recommended): SVGA video;

With coaxial cabling: XGA (color or monochrome) video;

With special cabling: True monochrome video

User Controls — Keyboard commands; (3) Front-mounted push buttons: ON/OFF (power), NEXT (switch to next port), SCAN (operate normally or automatically scan ports)

Interfaces — CPU and MONITOR/KEYBOARD/MOUSE Ports:

Proprietary composite of IBM PS/2 keyboard, PS/2 mouse, and video (standards listed above);

RS-232 Port: Proprietary variant of EIA RS-232D using 6-wire RJ-11 connectors, DTE

Connectors — All rear mounted;

Both models: (1) 5-pin DIN female: POWER;

(1) 6-wire RJ-11 female: RS-232 (for remote control);

(1) DB25 female: MONITOR/KEYBOARD/MOUSE;

SW721A-R2: (2) DB25 female: CPU;

SW722A-R2: (4) DB25 female: CPU

Indicators — SW721A-R2: (5) Front-mounted LEDs: (1) POWER, (2) SELECT, (2) ON;

SW722A-R2: (9) Front-mounted LEDs: (1) POWER, (4) SELECT, (4) ON

Temperature Tolerance — 32 to 131°F (0 to 55°C)

Humidity Tolerance — 5 to 80% noncondensing

Maximum Altitude — 10,000 ft. (3048 m)

Power — For 120-VAC, 60-Hz operation:

From wallmount power supply:

SW721A-R2, SW722A-R2: Optimal input: 120 VAC, 60 Hz at 100 mA;

Output: 17 VAC CT at 700 mA;

Consumption: Up to 11.9 VA;

For 240-VAC, 50-Hz operation:

From desktop power supply:

SW721AE-R2, SW722AE-R2: Optimal input: 230 VAC, 50 Hz at 60 mA;

Output: 17 VAC CT at 700 mA;

Consumption: Up to 11.9 VA

Size — 2.25"H x 8.8"W x 4.9"D (5.7 x 22.4 x 12.4 cm)

Weight — 3 lb. (1.4 kg)

What's included

- ◆ ServSwitch Unit
- ◆ Power supply (PS023)
- ◆ User's manual

Item

Code

ServSwitch Secure, Mini Chassis Style

2-Port

4-Port

SW721A-R2

SW722A-R2