

MCUSD16A40S12R0



RoHS
Compliant



Applications:

This specification covers the ultrasonic ceramic transducers which are used for receiving and transmitting ultrasonic waves.

Applications include Burglar Alarms, Distance Measurement, Range Finders, Remote Controllers, Robotics, etc.

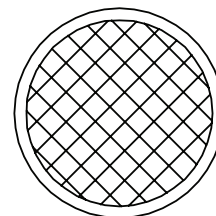
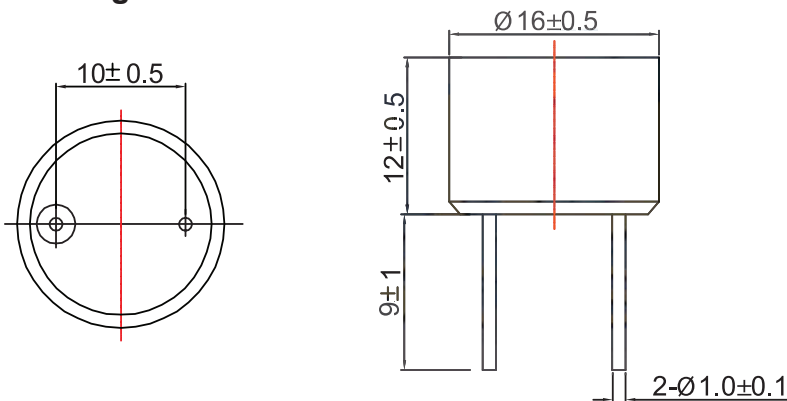
Features:

- Open structure and dual use
- Compact and light weight
- High sensitivity and sound pressure
- Less power consumption
- High reliability

Technical Terms:

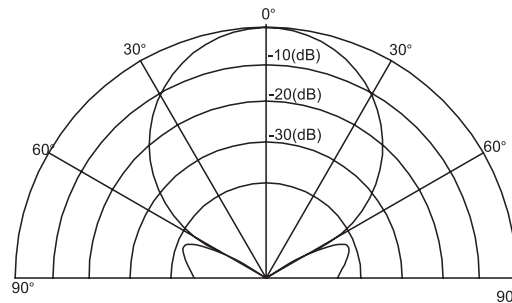
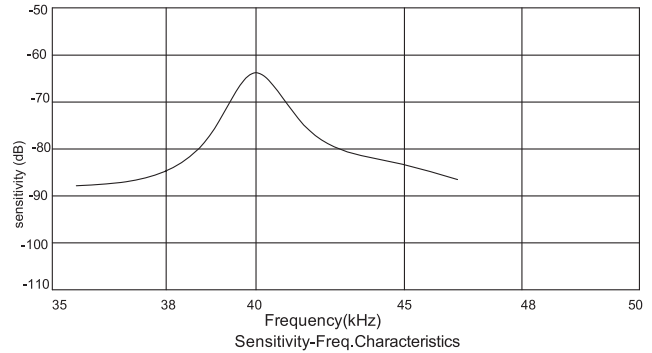
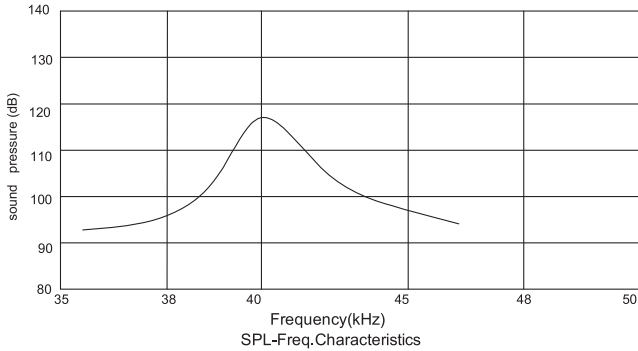
Construction	: Open structure
Using Method	: Dual Use
Centre Frequency	: 40 ±1kKz
Output Sound Pressure	: min.110dB (40kHz) 0dB = 0.0002µbar
Sensitivity at 40kHz	: min.-65dB/V/ µbar
Capacitance	: 2,500pF ±25% at 1kHz
Directivity	: 50°
Operating Temperature Range	: -35°C to +85°C
Storage Temperature Range	: -35°C to +85°C
Detectable Range	: 0.7 to 18m
Housing Material	: Aluminium

Drawing:

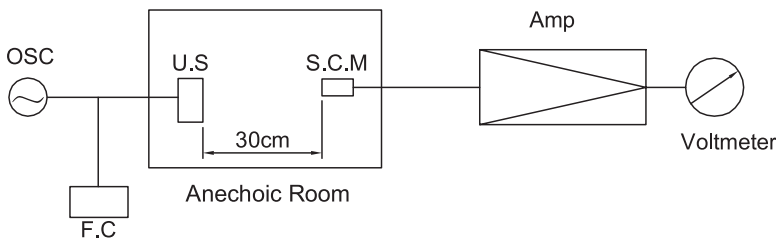


Tolerance : ±0.5
Dimensions : Millimetres

Beam Pattern:



Test Circuit:



OSC. :Oscillator
 F.C :Frequency Counter
 U.S :Ultrasonic Sensor
 S.C.M:Standard Capacitor Microphone
 Amp. :Amplifier

Part Number Table

Description	Part Number
Transceiver, 40kHz, 16mm, Metal	MCUSD16A40S12RO

Important Notice : This data sheet and its contents (the "Information") belong to the members of the Premier Farnell group of companies (the "Group") or are licensed to it. No licence is granted for the use of it other than for information purposes in connection with the products to which it relates. No licence of any intellectual property rights is granted. The Information is subject to change without notice and replaces all data sheets previously supplied. The Information supplied is believed to be accurate but the Group assumes no responsibility for its accuracy or completeness, any error in or omission from it or for any use made of it. Users of this data sheet should check for themselves the Information and the suitability of the products for their purpose and not make any assumptions based on information included or omitted. Liability for loss or damage resulting from any reliance on the Information or use of it (including liability resulting from negligence or where the Group was aware of the possibility of such loss or damage arising) is excluded. This will not operate to limit or restrict the Group's liability for death or personal injury resulting from its negligence. Multicomp is the registered trademark of the Group. © Premier Farnell plc 2012.