



**Blade Terminal**  
**T&B Catalog Number:**

TV10-10BL-XV

**UPC Number:**

72849414460

**Status:**

Active

**Description:**

Insulated Vinyl Blade Terminal for Wire Range 12-10, Yellow, Canister

**Features**

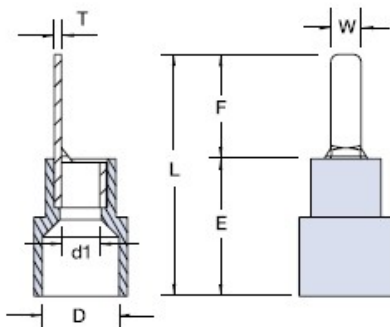
For use in DIN-Style Blade Terminal blocks. Molded Funnel Entry Insulator. Brazed Seam. Internal Barrel Serrations.

**General**

Insulation Type	Insulated Vinyl
Material	Copper
Finish	Electro -Tin Plated
Color	Yellow
Wire Range	12-10

**Dimension Information**

d1 (inches)	.134
D (inches)	.252
E (inches)	.512
F (inches)	.394
L (inches)	.906
T (inches)	.039
W (inches)	.110



**Specifications**

Temperature Rating	75°C
Voltage Rating	600V
Flammability Rating	UL 94 V-0

**Tooling**

Application Tools	WT112M, CM2000A
-------------------	-----------------

**Packaging**

T&B Order Multiple	75
T&B Inner Pack	75
Package in Units	900
Package Type	Canister
T&B Sold in UOM	Each
T&B Weight Per UOM	5.63 lbs. per 1000
Alternate Package Qty	TV1010BLL

**Certifications**

RoHS Compliance	Yes
-----------------	-----

For further technical assistance, please contact us...

Thomas & Betts - USA  
 8155 T&B Blvd.  
 Memphis, TN 38125  
 www.tnb.com

T&B Technical Support  
 MS 3B-50  
 8155 T&B Blvd.  
 Memphis, TN 38125

Hours: 7AM - 6PM CDT  
 Monday-Friday  
 Phone: (888) 862-3289  
 Fax: (901) 252-1321  
 Email:techsupport@tnb.com