



Pin Terminals
T&B Catalog Number:

TV18-12PT-XV

UPC Number:

72849414466

Status:

Active

Description:

Insulated Vinyl Pin Terminals for Wire Range 22-16, Red, Canister

Features

For Use in Pin-Style terminal blocks. Molded Funnel Entry Insulator. Brazed Seam. Internal Barrel Serrations.

General

Insulation Type	Insulated Vinyl
Material	Copper
Finish	Electro -Tin Plated
Color	Red
Wire Range	22-16

Dimension Information

d1 (inches)	.067
D (inches)	.157
E (inches)	.433
F (inches)	.472
L (inches)	.898
T (inches)	.030
W (inches)	.075

Specifications

Temperature Rating	75°C
Voltage Rating	600V
Flammability Rating	UL 94 V-0

Tooling

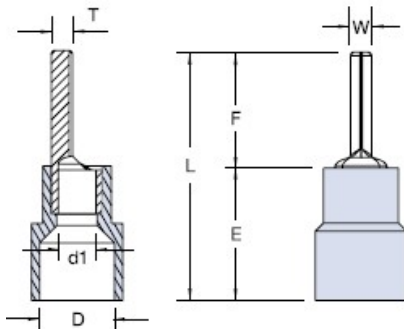
Application Tools	WT112M, CM2000A
-------------------	-----------------

Packaging

T&B Order Multiple	75
T&B Inner Pack	75
Package in Units	900
Package Type	Canister
T&B Sold in UOM	Each
T&B Weight Per UOM	5 lbs. per 1000
Alternate Package Qty	TV1812PTL

Certifications

RoHS Compliance	Yes
-----------------	-----



For further technical assistance, please contact us...

Thomas & Betts - USA
 8155 T&B Blvd.
 Memphis, TN 38125
 www.tnb.com

T&B Technical Support
 MS 3B-50
 8155 T&B Blvd.
 Memphis, TN 38125

Hours: 7AM - 6PM CDT
 Monday-Friday
 Phone: (888) 862-3289
 Fax: (901) 252-1321
 Email:techsupport@tnb.com