

Flush-type connector - SACC-CI-M12MS-5P SMD T - 1411926

Please be informed that the data shown in this PDF Document is generated from our Online Catalog. Please find the complete data in the user's documentation. Our General Terms of Use for Downloads are valid (<http://phoenixcontact.com/download>)



Flush-type connector, 5-position, PlugLink:straightLink:M12, A - standard, PCB mounting, SMD



Key Commercial Data

| | |
|----------------------|-----------------|
| Packing unit | 1 |
| GTIN | 4 046356 990042 |
| Custom tariff number | 85366990 |

Technical data

Ambient conditions

| | |
|---------------------------------|--|
| Ambient temperature (operation) | -55 °C ... 105 °C (Plug / socket) |
| | -55 °C ... 105 °C (without mechanical actuation) |
| Degree of protection | IP67 (correctly plugged in and locked) |

General

| | |
|------------------------|--|
| Note | The electrical and mechanical data specified assume that the connector pair is correctly locked and mounted. If the connector is unlocked and if there is a danger of contamination, the connector must be sealed using a protective cap > IP54. Influences arising from litz wires, cables or PCB assembly must also be taken into consideration. |
| Rated current at 40°C | 4 A |
| Rated voltage | 60 V |
| Rated surge voltage | 1.5 kV |
| Number of positions | 5 |
| Contact resistance | ≤ 3 mΩ |
| Insulation resistance | ≥ 100 MΩ |
| Coding | A - standard |
| Standards/regulations | M12 connector IEC 61076-2-101 In line with |
| Surge voltage category | III |
| Pollution degree | 3 |
| Connection method | SMD |

Flush-type connector - SACC-CI-M12MS-5P SMD T - 1411926

Technical data

General

| | |
|-----------------------------|--------------|
| Insertion/withdrawal cycles | > 100 |
| Mounting type | PCB mounting |
| Type of packaging | Tray |

Material

| | |
|---|------|
| Inflammability class according to UL 94 | V0 |
| Contact material | CuZn |
| Contact surface material | Au |
| Contact carrier material | PA |

Classifications

eCl@ss

| | |
|------------|----------|
| eCl@ss 5.1 | 27143423 |
| eCl@ss 6.0 | 27143423 |

ETIM

| | |
|----------|----------|
| ETIM 5.0 | EC002061 |
|----------|----------|

Accessories

Accessories

Panel mounting base

Housing screw connection - SACC-BP-M-M12/M15-6-SMD - 1414000



Housing screw connection, PlugLink:M12, Rear mounting, M15 x 1

Housing screw connection - SACC-BP-M-M12/M15-6-SMD SCO - 1414002



Housing screw connection, PlugLink:M12-SPEEDCON, Rear mounting, M15 x 1

Flush-type connector - SACC-CI-M12MS-5P SMD T - 1411926

Accessories

Housing screw connection - SACC-FP-M-M12/M14 SMD - 1412078



Housing screw connection, PlugLink:M12, Front mounting, M14 x 1

Housing screw connection - SACC-FP-M-M12/PRESS SMD - 1412080



Housing screw connection, pin, for the two-part M12 SMD connector, for press-in mounting.

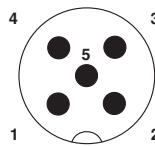
Drawings

Dimensional drawing

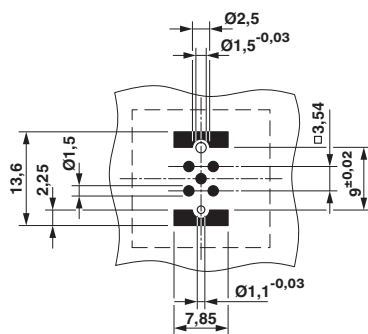
SMD tray packaging

Pin assignment M12 male connector, 5-pos., A-coded, male side

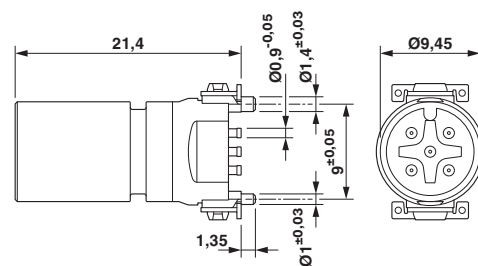
Schematic diagram



Drilling diagram



Dimensional drawing

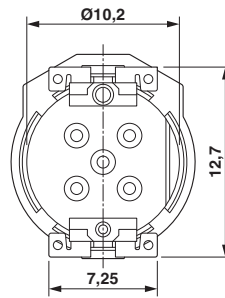


M12 male connector contact carrier

Soldering pad geometry

Flush-type connector - SACC-CI-M12MS-5P SMD T - 1411926

Dimensional drawing



View of solder side

Phoenix Contact 2015 © - all rights reserved
<http://www.phoenixcontact.com>