

Housing screw connection - SACC-BP-F-M12/ VAR-3,1/3,9-9TIP - 1414234


Please be informed that the data shown in this PDF Document is generated from our Online Catalog. Please find the complete data in the user's documentation. Our General Terms of Use for Downloads are valid (<http://phoenixcontact.com/download>)



M12 housing screw connection with tolerance-compensating function, for straight, THR solderable M12 socket contact inserts. Suitable for 3.1 mm ... 3.9 mm thick front plates.



Key Commercial Data

| | |
|----------------------|---|
| Packing unit | 1 |
| GTIN |  4 055626 022758 |
| Custom tariff number | 85366990 |

Technical data

Ambient conditions

| | |
|---------------------------------|---|
| Ambient temperature (operation) | -25 °C ... 85 °C (Plug / socket) |
| | -40 °C ... 85 °C (without mechanical actuation) |
| Degree of protection | IP67 |

General

| | |
|-----------------------------|---|
| Note | The electrical and mechanical data specified assume that the connector pair is correctly locked and mounted. If the connector is unlocked and if there is a danger of pollution, the connector must be sealed using a protective cap > IP54. The M12 housing screw connection can only be used in conjunction with mating connectors and protective caps with M12 standard thread. Mating connectors with SPEEDCON thread cannot be used. |
| Standards/regulations | M12 connector IEC 61076-2-101 |
| Insertion/withdrawal cycles | > 100 |
| Torque | 0.6 Nm (Tightening torque of mating connector) |
| Mounting type | Rear mounting 2-section, lockable |

Material

| | |
|---|-----------------|
| Inflammability class according to UL 94 | V0 |
| Sealing material | FKM (Form seal) |

Housing screw connection - SACC-BP-F-M12/ VAR-3,1/3,9-9TIP - 1414234

Technical data

Material

| | |
|------------------------------------|--|
| | FKM (O-ring (pin connector pattern)) |
| Additional material specifications | PA 66 (Fixing sleeve) |
| | Zinc die-cast, nickel-plated (Threaded sleeve) |
| Color | black (Fixing sleeve) |

Classifications

eCl@ss

| | |
|------------|----------|
| eCl@ss 5.1 | 27143423 |
| eCl@ss 6.0 | 27143423 |

ETIM

| | |
|----------|----------|
| ETIM 4.0 | EC001855 |
| ETIM 5.0 | EC002350 |

Accessories

Accessories

Panel mounting base

Housing screw connection - SACC-BP-F-FIX/NUT-BL-THR - 1417782



Fixing sleeve for M12 housing screw connection with tolerance-compensating function, for THR solderable M12 socket contact inserts.

Housing screw connection - SACC-BP-F-FIX/NUT-CY-THR - 1417783



Fixing sleeve for M12 housing screw connection with tolerance-compensating function, for THR solderable M12 socket contact inserts.

Housing screw connection - SACC-BP-F-FIX/NUT-RD-THR - 1417784



Fixing sleeve for M12 housing screw connection with tolerance-compensating function, for THR solderable M12 socket contact inserts.

Housing screw connection - SACC-BP-F-M12/ VAR-3,1/3,9-9TIP - 1414234

Accessories

Housing screw connection - SACC-BP-F-FIX/NUT-YE-THR - 1417785



Fixing sleeve for M12 housing screw connection with tolerance-compensating function, for THR solderable M12 socket contact inserts.

Housing screw connection - SACC-BP-F-FIX/NUT-GN-THR - 1417787



Fixing sleeve for M12 housing screw connection with tolerance-compensating function, for THR solderable M12 socket contact inserts.

Housing screw connection - SACC-BP-F-FIX/NUT-VT-THR - 1417788



Fixing sleeve for M12 housing screw connection with tolerance-compensating function, for THR solderable M12 socket contact inserts.

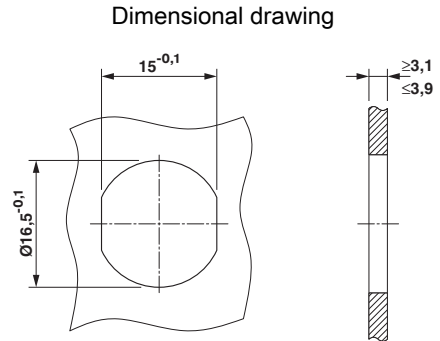
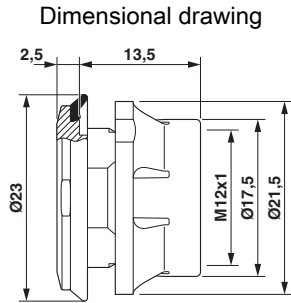
Housing screw connection - SACC-BP-F-FIX/NUT-OR-THR - 1417789



Fixing sleeve for M12 housing screw connection with tolerance-compensating function, for THR solderable M12 socket contact inserts.

Drawings

Housing screw connection - SACC-BP-F-M12/ VAR-3,1/3,9-9TIP - 1414234



Panel cutout