

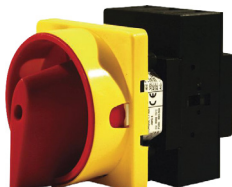
Rotary Isolators

3 Poles



**RoHS
Compliant**

LBPM 25 to 63A:



Features:

LBPM 25 to 63A:

- Degree of protection IP65
- Panel mount
- 2 hole rear mounting or snap on mounting to 35mm DIN rail
- Operable from the front (door) coupled with the door mechanism
- Switch with round padlocking device to prevent the switch from being switched on by unauthorised personnel. (The maximum number of padlocks that can be used is 3)

LBDI 25 to 63A:



LBDI 25 to 63A:

- Degree of protection IP65
- DIN rail mount
- Metal shaft 280mm
- 2 hole rear mounting or snap on mounting to 35mm DIN rail
- Operable from the front (door) coupled with the door mechanism
- Door interlock (door opens only in the OFF position). Rigid metal shaft / switch assembly
- Switch with padlocking device to prevent the switch from being turned to the on position by unauthorised personnel. (The maximum number of padlocks that can be used is 3)
- Adjustable mounting by cutting the metal shaft to appropriate length to suit panel height

Specifications:

Canadian Standards : CAN / CSA-C22.2 No.14
 American Standards : UL508
 IEC and European Standards : IEC 60947-1 and 3, EN60947, VDE 0660-107

Specification Table:

Isolator Rating (AC-21)	Measure	Switch Code	LB25	LB32	LB40	LB63	LB80	LB100	LB125	
Rated Operational Voltage, UE										
IEC / EN / VDE	Volts	V	690	690	690	690	690	690	690	
UL / CSA			600	600	600	600	600	600	600	
Main Switch: Isolating Voltage up to			750	750	750	750	750	750	750	
Resistance to Surge Pulse Voltage, Uimp		KV	6	6	6	6	6	6	6	
Rated Uninterrupted Current, Iu	Amperes	A	20	25	32	40	63	100	125	
Rated Uninterrupted Current, Ie										
IEC / EN / VDE	AC - 22	Amperes	A	20	25	32	40	63	100	125
	AC - 21A			25	32	40	63	80		
	AC - 1			20	25	32	40	63		
UL / CSA				20	25	32	40	63		

www.element14.com
 www.farnell.com
 www.newark.com



Rotary Isolators

3 Poles



Isolator Rating (AC-21)		Measure	Switch Code	LB25	LB32	LB40	LB63	LB80	LB100	LB125	
Rated Operational Power at 50 to 60 Hz (IEC / EN / VDE)											
IEC / EN / VDE	AC - 23A, 3 Phase, 3 Poles	220 - 240V	kW	4	5.5	7.5	11	15	22	30	
		380 - 440V		7.5	11	15	18.5	30	37	45	
		500 - 690V		11			22		45	55	
	AC - 3A, 3 Phase, 3 Poles	220 - 240V		3	4	5.5	7.5	11	18.5	22	
		380 - 440V		5.5	7.5	11	18.5	22	30	37	
		500 - 690V		7.5	11				37	45	
Short Circuit Capacity (IEC / EN / VDE)											
Maximum Fuse Size (Type gL)		Amperes	A	25	25	32	40	63	100	125	
Rated Fused Short Circuit Current			kA	5	30	30	30	30	30	30	
UL / CSA Power Rating											
DOL	3 Phase, 3 Poles	120V	HP	1.5	3	3	5	7.5	7.5	7.5	
		240V		3	7.5	7.5	10	15	15	15	
		480V		7.5	15	20	20	25	30	40	
		600V		10	20	25	30	30	40	50	
	1 Phase	120V		0.5	1.5	2	3	4.5	3	3	
		240V		1.5	2	3	4	6	7.5	7.5	
Short Circuit Capacity (UL / CSA)											
Maximum Fuse Size		Amperes	A	25	50	50	70	70	100	125	
Fuse (Being Certified with J Type Fuses)		Type	-	J	J, RK5				J	J	
Rated Fuse Short Circuit Current		Amperes	kA	5	5	5	5	5	10	10	
Terminal Cross Section											
Single / Multiple Strand Wire	Minimum	mm ²	1.5	1	1	4	4	6	6		
	Maximum		6	10	10	16	16	70	70		
Fine Strand Wire with Sleeve	Minimum		0.5	0.75	0.75	2.5	2.5	4	4		
	Maximum		6	6	6	10	10	50	50		
American Wire Gauge			-	AWG	12	8	8	6	6	1	1
Recommended Tightening Torque for Terminals			-	NM	0.8	1.7	1.7	1.7	1.7	2.5	2.5

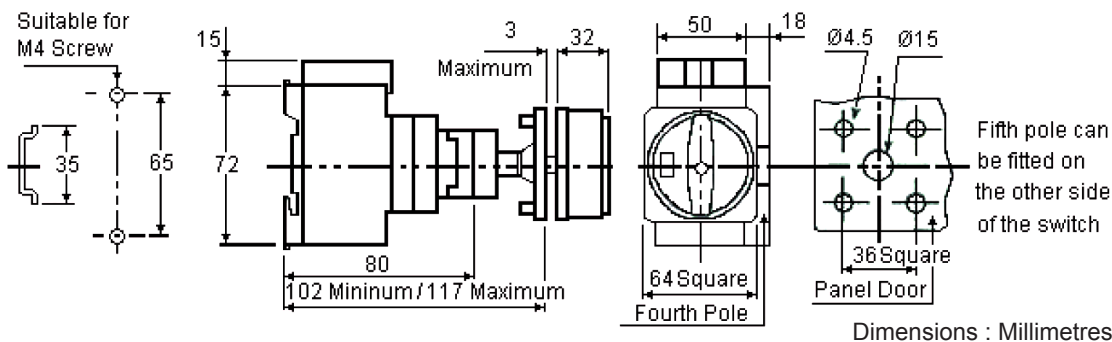
Rotary Isolators

3 Poles

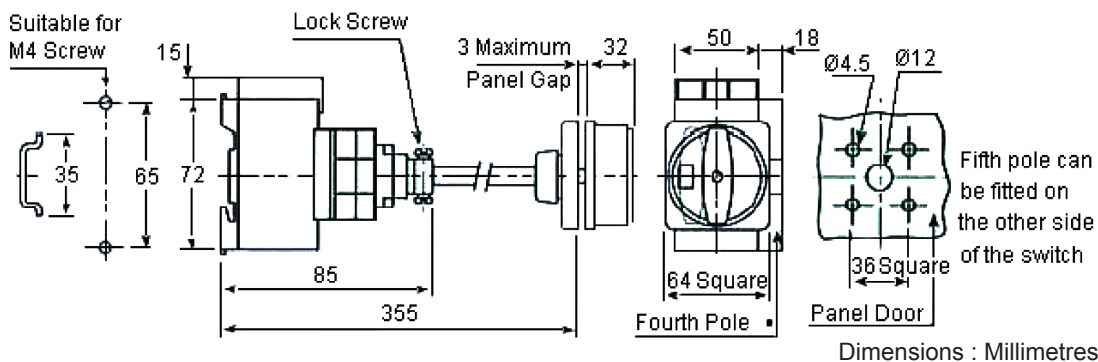


Diagram:

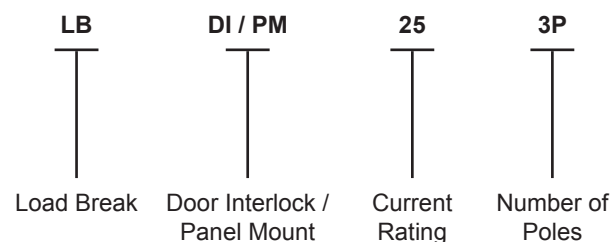
LBPM 25 to 63A:



LBDI 25 to 63A:



Part Number Explanation:



Door Interlock / Panel Mount : DI = Door Interlock and PM = Panel Mount

Current Rating : 25 = 25A, 32 = 32A, 40 = 40A, 63 = 63A, 80 = 80A, 100 = 100A and 125 = 125A (AC - 21 A and AC - 1)

Number of Poles : 3P = 3 Poles

Part Number Table

Description	Part Number
Isolator Interlock 25A 3P	LBDI253P
Isolator Interlock 32A 3P	LBDI323P
Isolator Interlock 40A 3P	LBDI403P
Isolator Interlock 63A 3P	LBDI633P
Isolator Interlock 80A 3P	LBDI803P
Isolator Interlock 100A 3P	LBDI1003P
Isolator Interlock 125A 3P	LBDI1253P
Isolator Panel Mount 25A 3P	LBPM253P
Isolator Panel Mount 32A 3P	LBPM323P
Isolator Panel Mount 40A 3P	LBPM403P
Isolator Panel Mount 63A 3P	LBPM633P

Important Notice : This data sheet and its contents (the "Information") belong to the members of the Premier Farnell group of companies (the "Group") or are licensed to it. No licence is granted for the use of it other than for information purposes in connection with the products to which it relates. No licence of any intellectual property rights is granted. The Information is subject to change without notice and replaces all data sheets previously supplied. The Information supplied is believed to be accurate but the Group assumes no responsibility for its accuracy or completeness, any error in or omission from it or for any use made of it. Users of this data sheet should check for themselves the Information and the suitability of the products for their purpose and not make any assumptions based on information included or omitted. Liability for loss or damage resulting from any reliance on the Information or use of it (including liability resulting from negligence or where the Group was aware of the possibility of such loss or damage arising) is excluded. This will not operate to limit or restrict the Group's liability for death or personal injury resulting from its negligence. Multicomp is the registered trademark of the Group. © Premier Farnell plc 2012.

