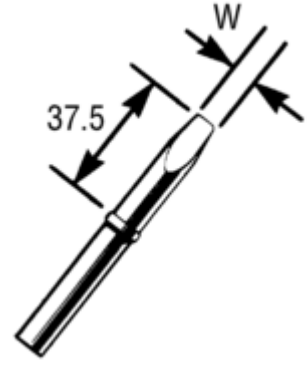
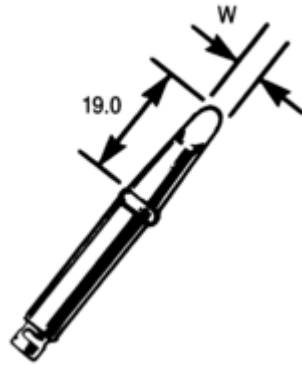
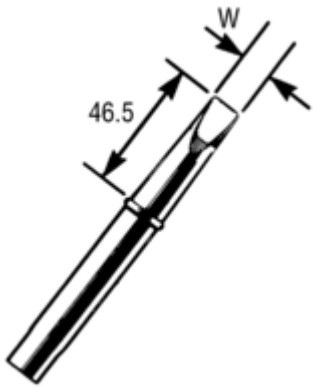


CT Series Tips for W Series Irons

Sloped round tip
Screwdriver tip
Screwdriver tip



CT5 series
for W60 Irons

CT6 series
for W100 Irons

CT2 series
for W200 Irons

Style Code	W
AA	1.6
BB	2.4
CC	3.2
DD	5
EE	6.4

Style Code	W
C	3.2
D	5.0
E	7.0
F	9.5

Style Code	W
E	7.0
F	10.0

Temp. Code	Tip Temp.
6	310 (600°F)
7	370°C (700°F)
8	425 (800°F)

Temp. Code	Tip Temp.
7	370 (700°F)
8	425 (800°F)

Temp. Code	Tip Temp.
7	370 (700°F)
8	425 (800°F)

CT5CC7 fitted as standard

CT6E7 fitted as standard

CT2F7 fitted as standard

NB: CT5EE6 not available