

**PLEASE CHECK WWW.MOLEX.COM FOR LATEST PART INFORMATION**

**Part Number:** **0190020010**  
**Status:** **Active**  
**Overview:** Standard Quick-Disconnect Terminals  
**Description:** Avikrimp™ Fully Insulated Quick Disconnect, Female, for 18-22 AWG Wire, Mylar Tape

**Documents:**

|  |  |
|--|--|
| <a href="#">3D Model</a>                                 | <a href="#">Product Specification PS-19902-014 (PDF)</a> |
| <a href="#">Drawing (PDF)</a>                            | <a href="#">Product Specification PS-19902-015 (PDF)</a> |
| <a href="#">Product Specification PS-19902-011 (PDF)</a> | <a href="#">RoHS Certificate of Compliance (PDF)</a>     |

**Agency Certification**

|     |         |
|-----|---------|
| CSA | LR18689 |
| UL  | E79133  |

**General**

|                         |  |
|-------------------------|--|
| Product Family          | Quick Disconnects                          |
| Series                  | <u>19002</u>                               |
| Crimp Quality Equipment | Yes  |
| Insulated               | Fully                                      |
| Overview                | <u>Standard Quick-Disconnect Terminals</u> |
| Product Name            | Avikrimp™                                  |
| Type                    | Quick Disconnect                           |
| UPC                     | 800753027046                               |

**Physical**

|                                |                       |
|--------------------------------|-----------------------|
| Barrel Type                    | Closed                |
| Color - Resin                  | Red                   |
| Flammability                   | 94V-2                 |
| Gender                         | Female                |
| Glow-Wire Compliant            | Yes                   |
| Insulation                     | Nylon (PA)            |
| Lock to Mating Part            | None                  |
| Material - Metal               | Brass                 |
| Material - Plating Mating      | Tin                   |
| Material - Plating Termination | Tin                   |
| Net Weight                     | 0.849/g               |
| Orientation                    | Straight              |
| Packaging Type                 | Adhesive Tape on Reel |
| Polarized to Mating Part       | No                    |
| Tab Thickness                  | 0.81mm                |
| Tab Width                      | 4.75mm                |
| Temperature Range - Operating  | -65°C to +105°C       |
| Wire Insulation Diameter       | 3.17mm max.           |
| Wire Size AWG                  | 18, 20, 22            |
| Wire Size mm²                  | 0.35 - 0.80           |

**Electrical**

|                   |      |
|-------------------|------|
| Voltage - Maximum | 300V |
|-------------------|------|

**Solder Process Data**

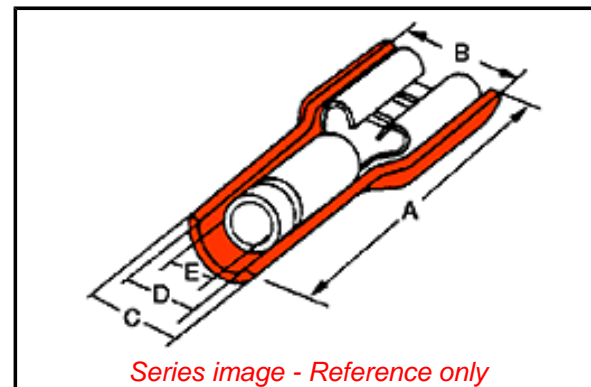
|                              |     |
|------------------------------|-----|
| Lead-free Process Capability | N/A |
|------------------------------|-----|

**Material Info**

|                 |          |
|-----------------|----------|
| Old Part Number | AA-5271T |
|-----------------|----------|

**Reference - Drawing Numbers**

|                       |  |
|-----------------------|--|
| Product Specification | PS-19902-011, PS-19902-014, PS-19902-015 |
| Sales Drawing         | SD-19002-003                             |



**EU ELV**

**Not Relevant**

**EU RoHS**

**Compliant**

**REACH SVHC**

Contains SVHC(2014 December 17): No

**Halogen-Free**

**Status**

**Low-Halogen**

**Need more information on product environmental compliance?**

Email [productcompliance@molex.com](mailto:productcompliance@molex.com)  
Please visit the [Contact Us](#) section for any non-product compliance questions.

China ROHS

ELV

Green Image

Not Relevant

**Search Parts in this Series**

19002 Series

**Application Tooling | FAQ**

*Tooling specifications and manuals are found by selecting the products below. Crimp Height Specifications are then contained in the Application Tooling Specification document.*

**Global**

| Description                                       | Product #         |
|---|-------------------|
| Mini-Mac™   | <u>0638852000</u> |
| Applicator  |                   |
| ATP Crimp Dies                                    | <u>0192880028</u> |
| for the Tape Crimp Module and ATP-101 & 301 Press |                   |

This document was generated on 09/08/2015

**PLEASE CHECK [WWW.MOLEX.COM](http://WWW.MOLEX.COM) FOR LATEST PART INFORMATION**