

PLEASE CHECK WWW.MOLEX.COM FOR LATEST PART INFORMATION

Part Number: [0190190052](#)
Status: **Active**
Overview: Standard Quick-Disconnect Terminals
Description: Avikrimp™ Quick Disconnect, Female, for 12-14 (3.30-2.00mm²) Wire, Box, Tab 6.35 x 0.81mm

Documents:

[Drawing \(PDF\)](#) [Product Specification PS-19902-014 \(PDF\)](#)
[Product Specification PS-19902-011 \(PDF\)](#) [RoHS Certificate of Compliance \(PDF\)](#)
[Product Specification PS-19902-013 \(PDF\)](#)

Agency Certification

CSA LR18689
 UL E79133

General

Product Family Quick Disconnects
 Series [19019](#)
 Crimp Quality Equipment Yes
 Insulated Partial
 MolexKits Yes
 Overview [Standard Quick-Disconnect Terminals](#)
 Product Name Avikrimp™
 Type Quick Disconnect
 UPC 800753038561

Physical

Barrel Type Closed
 Color - Resin Yellow
 Flammability 94V-2
 Gender Female
 Glow-Wire Compliant No
 Insulation Nylon (PA)
 Lock to Mating Part None
 Material - Metal Brass
 Material - Plating Mating Tin
 Material - Plating Termination Tin
 Net Weight 1.021/g
 Orientation Straight
 Packaging Type Bag
 Polarized to Mating Part No
 Tab Thickness 0.81mm
 Tab Width 6.35mm
 Temperature Range - Operating -65°C to +105°C
 Wire Insulation Diameter 4.30mm max.
 Wire Size AWG 12, 14
 Wire Size mm² 2.00 - 3.30

Electrical

Voltage - Maximum 300V

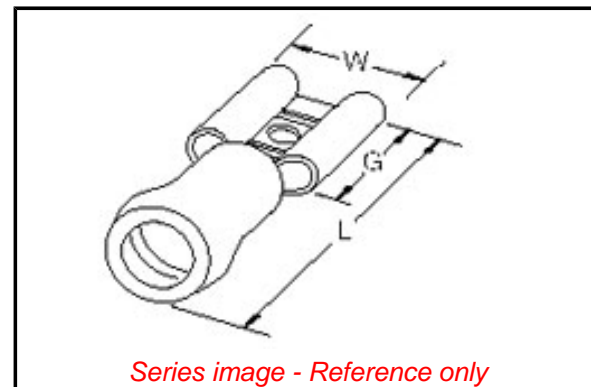
Solder Process Data

Lead-free Process Capability N/A

Material Info

Old Part Number P-8142

Reference - Drawing Numbers



EU ELV

Not Relevant

EU RoHS

Compliant

REACH SVHC

Contains SVHC(2014 December 17): No

Halogen-Free

Status

Low-Halogen

Need more information on product environmental compliance?

Email productcompliance@molex.com
 Please visit the [Contact Us](#) section for any non-product compliance questions.

China ROHS

ELV

China RoHS

Green Image

Not Relevant

Search Parts in this Series

[19019 Series](#)

Application Tooling | [FAQ](#)

Tooling specifications and manuals are found by selecting the products below. Crimp Height Specifications are then contained in the Application Tooling Specification document.

Global

Description	Product #
Hand Crimp Tool	0640011800
Crimp Head for the AT-200™ Pneumatic Hand Tool	0640051800

This document was generated on 09/08/2015

PLEASE CHECK WWW.MOLEX.COM FOR LATEST PART INFORMATION