

**PLEASE CHECK WWW.MOLEX.COM FOR LATEST PART INFORMATION**

**Part Number:** [0506418041](#)  
**Status:** **Active**  
**Overview:** PanelMate™ Wire-to-Board Connector System  
**Description:** PanelMate™ Crimp Receptacle Terminal, 28-30 AWG, Reel Gold (Au)

**Documents:**

<a href="#">3D Model</a>	<a href="#">Product Specification PS-51146-009 (PDF)</a>
<a href="#">Drawing (PDF)</a>	<a href="#">Product Specification PS-51146-010 (PDF)</a>
<a href="#">Product Specification PS-51146-001 (PDF)</a>	<a href="#">Product Specification PS-51146-011 (PDF)</a>
<a href="#">Product Specification PS-51146-006 (PDF)</a>	<a href="#">Product Specification PS-51146-012 (PDF)</a>
<a href="#">Product Specification PS-51146-007 (PDF)</a>	<a href="#">Packaging Specification SPK-50641-001 (PDF)</a>
<a href="#">Product Specification PS-51146-008 (PDF)</a>	<a href="#">RoHS Certificate of Compliance (PDF)</a>

**General**

Product Family	Crimp Terminals
Series	<a href="#">50641</a>
Application	Signal
Crimp Quality Equipment	Yes
Overview	<a href="#">PanelMate™ Wire-to-Board Connector System</a>
Packaging Alternative	<a href="#">50641-8141 (Loose)</a>
Product Name	PanelMate™
UPC	800753746749

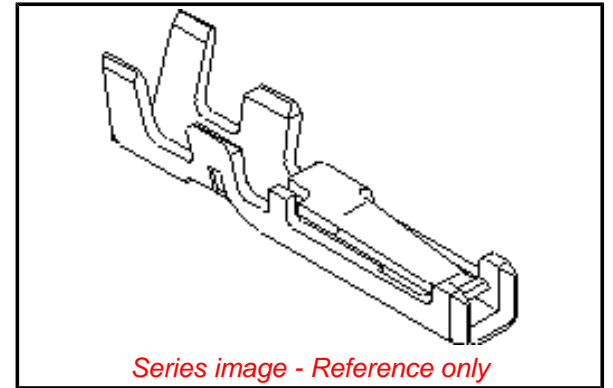
**Physical**

Gender	Female
Material - Metal	Phosphor Bronze
Material - Plating Mating	Gold
Material - Plating Termination	Tin
Net Weight	20.020/mg
Packaging Type	Reel
Plating min - Mating	0.203µm
Plating min - Termination	0.203µm
Termination Interface: Style	Crimp or Compression
Wire Insulation Diameter	0.50-0.90mm
Wire Size AWG	28, 30
Wire Size mm²	N/A

**Material Info**

**Reference - Drawing Numbers**

Crimp Specification	CS-50641
Packaging Specification	SPK-50641-001
Product Specification	PS-51146-001, PS-51146-006, PS-51146-007, PS-51146-008, PS-51146-009, PS-51146-010, PS-51146-011, PS-51146-012, RPS-51146-002, RPS-51146-003, RPS-51146-004, RPS-51146-007, RPS-51146-008, RPS-51146-009, RPS-51146-010, RPS-51146-011, RPS-51146-012, RPS-51146-013, RPS-51146-015, RPS-51146-016, RPS-51146-017, RPS-51146-019, RPS-51146-021, RPS-51146-022, RPS-51146-023, RPS-51146-024, RPS-51146-025, RPS-51146-026, RPS-51146-027, RPS-51146-028, RPS-51146-029, RPS-51146-030, RPS-51146-031, RPS-51146-034, RPS-51146-035
Sales Drawing	SD-50641-001



**EU ELV**

**Not Relevant**

**EU RoHS**

**Compliant**

**REACH SVHC**

Contains SVHC(2015

June 15): No

**Halogen-Free**

**Status**

**Low-Halogen**

**Need more information on product environmental compliance?**

Email [productcompliance@molex.com](mailto:productcompliance@molex.com)  
Please visit the [Contact Us](#) section for any non-product compliance questions.

China ROHS

ELV

Green Image

Not Relevant

**Search Parts in this Series**

[50641](#) Series

**Application Tooling | FAQ**

*Tooling specifications and manuals are found by selecting the products below. Crimp Height Specifications are then contained in the Application Tooling Specification document.*

**Global**

**Description**

**Product #**

FineAdjust™ Applicator	<a href="#">0639027900</a>
PanelMate™ Crimp Terminals	
Hand Crimp Tool, UL Approved	<a href="#">0638117900</a>
Extractor Tool for 1.25mm Pitch Wire-to-Board Crimp Terminal	<a href="#">0638133400</a>

**Japan**

<b>Description</b>	<b>Product #</b>
Applicator for M211A Bench Press, 28-30 AWG Wire	<u>0573523000</u>
Side-Feed Applicator For Full-Auto Machine	<u>0573523200</u>

This document was generated on 10/13/2015

**PLEASE CHECK [WWW.MOLEX.COM](http://WWW.MOLEX.COM) FOR LATEST PART INFORMATION**