

# FARNELL RACKING SYSTEMS

## RACKING CABINETS ASSEMBLY INSTRUCTIONS

Check you have the correct amount of components to assemble your cabinet from the following list:-

A & B Top and Bottom panels  
C & D 2 side panels

### Pack containing the following:-

20 'U' spring nuts  
20 Black 12mm (½") screws

1. Work all panels before assembly (i.e. punching and drilling holes for handles etc.). Care should be taken to protect the finished surfaces as swarf laden work areas will cause damage.
2. Push on all 'U' spring nuts as shown in the diagram, making sure that the 'flat' part of the clip is on the same side as the black finish.
3. Place part A upside down on a flat surface and attach panel C to A. Parts C & D overlap parts A & B). Repeat this operation for the opposing side D. The small tongues located at the four out side corners on panels A & B must fit inside the channel sections on C & D. Also make sure that the opposing inner front edge of D has 4 screw holes facing the inner central slot on panel C.
4. Align and secure 4 inner corner fixing screws.
5. Attach part B to C & D.
6. Align and secure the rest of the inside corner fixings.
7. A lockable door can now be fitted if so desired. Using the 4 screws provided, hold the u spring nuts behind the front leading edge, then locate the screws through the door hinges and tighten. Check door alignment before fully tightening.

### PLEASE NOTE

If you have difficulty in locating the fixing holes with the clips, the use of a pointed Awl to align these should make for ease of assembly.

Should the fixing screws be over tightened then it is likely to damage the screw or the 'U' clip.

*Made Exclusively In England for*



**FARNELL HOUSE - FORGE LANE - LEEDS - LS12 2NE**

# FARNELL RACKING SYSTEMS

## RACK DOOR ASSEMBLY & FITTING INSTRUCTIONS

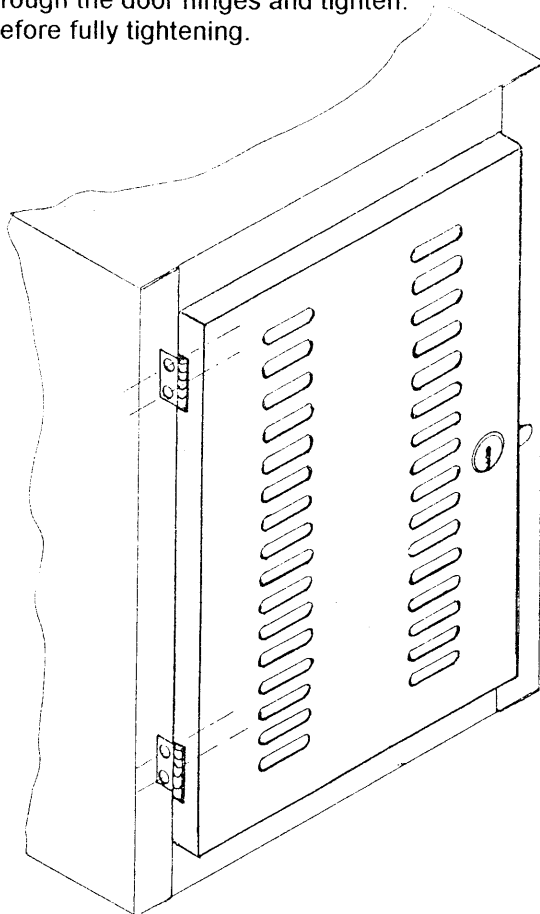
Check you have the correct amount of components to assemble and fit your door from the following list:-

- 1 Door Panel with the right size prefix ( same as rack unit)
- 1 Barrel lock ( Fitted)

Pack containing the following:-

- 2 Keys for lock
- 4 'U' Spring nuts
- 4 Black 12mm (1/2") screws

1. This lockable door can be fitted to either back or front of the rack or both.
2. The choice of 'hand' is determined by which way up you decide to have the cabinet, so it is a good idea to check this before fitting the door to the rack. **Do Not** load the rack before fitting the door.
3. Using the 4 screws provided hold the 'U' spring nuts inside cabinet behind the appropriate holes on the inside front lip. Align the screws through the door hinges and tighten.  
Check the door alignment before fully tightening.



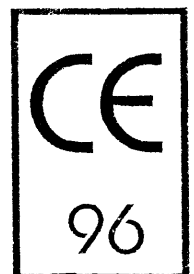
### PLEASE NOTE

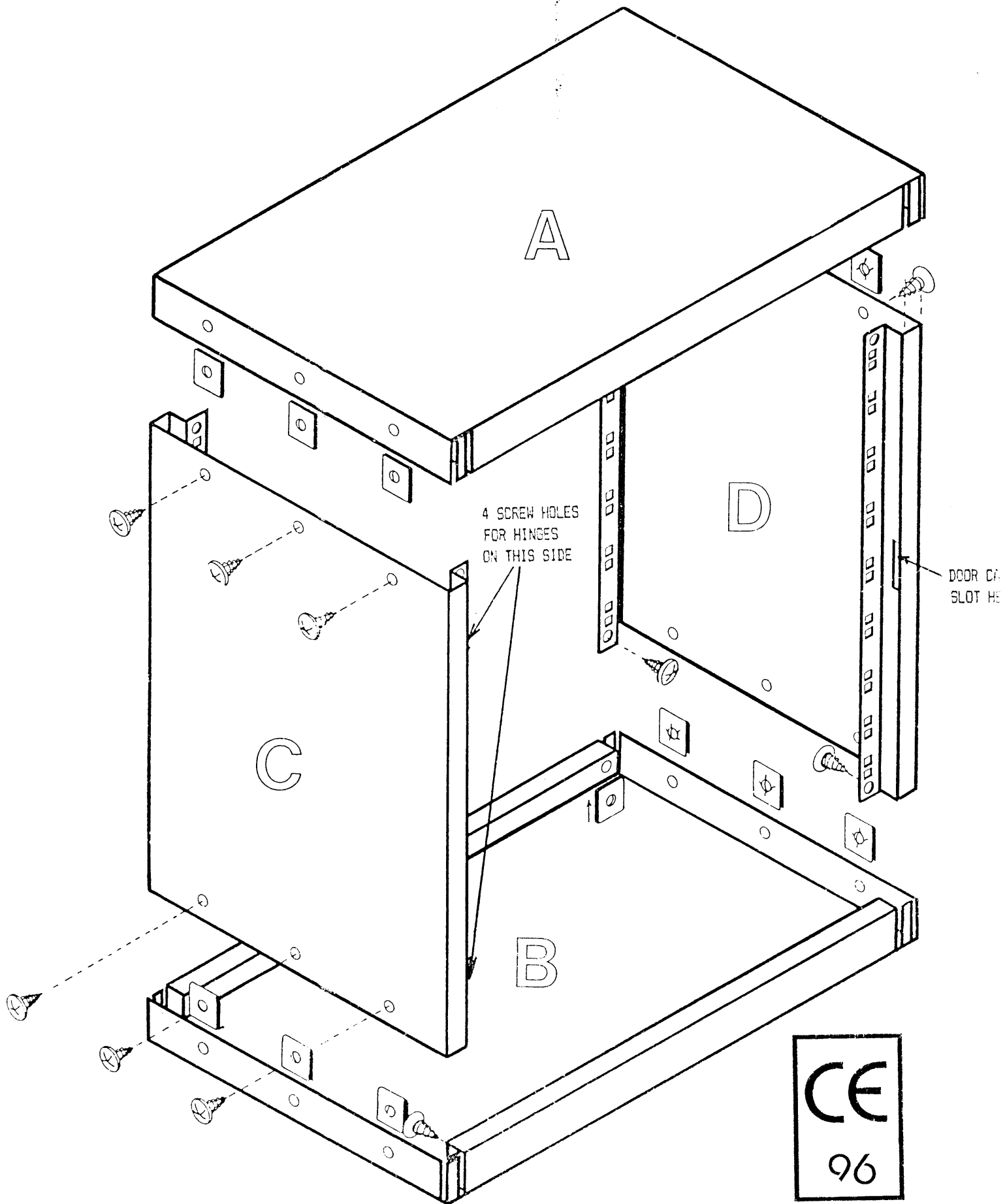
Should the fixing screws be over tightened then it is likely to damage the screw or the 'U' clip.

*Made Exclusively In England for*



FARNELL HOUSE - FORGE LANE - LEEDS - LS12 2NE





A

D

C

B

4 SCREW HOLES  
FOR HINGES  
ON THIS SIDE

DOOR CA  
SLOTT HE

CE  
96