

# UL Listed Power Distribution Blocks

## Specifications:

- Provides feeder circuit terminal spacing up to 1" through air and 2" over surface
- Rated for 600 Volts (AC/DC) per UL508A, Section 10
- Amperage Ratings up to 950A for copper wire and 770A for aluminum wire
- Line side accepts up to (2) 750 kcmil wires, per phase
- Load side accepts up to (2) 750 kcmil, (6) 250 kcmil, (8) 3/0 or (10) 2/0 wires, per phase
- Rated for flexible stranded copper wire (UL Class G/H/I/DLO) as well as copper and aluminum "code" wire (UL Class B/C)
- High-impact resistant thermoplastic insulator base, flame retardant and heat resistant
- Rated UL 94-V-0
- UL Temperature Rating 125°C
- Mounting: panel mount
- Material: Insulator - Thermoplastic; Connector - Aluminum
- Safety hinged cover available (CH 1351), 1 cover per pole - p. 58
- UL Listed (without cover), Investigated to UL 1953, File QPQS.E309401; UL Recognized (with cover)
- Short Circuit Current Ratings (SCCR) up to 100,000 SYM Amps
- RoHS Compliant

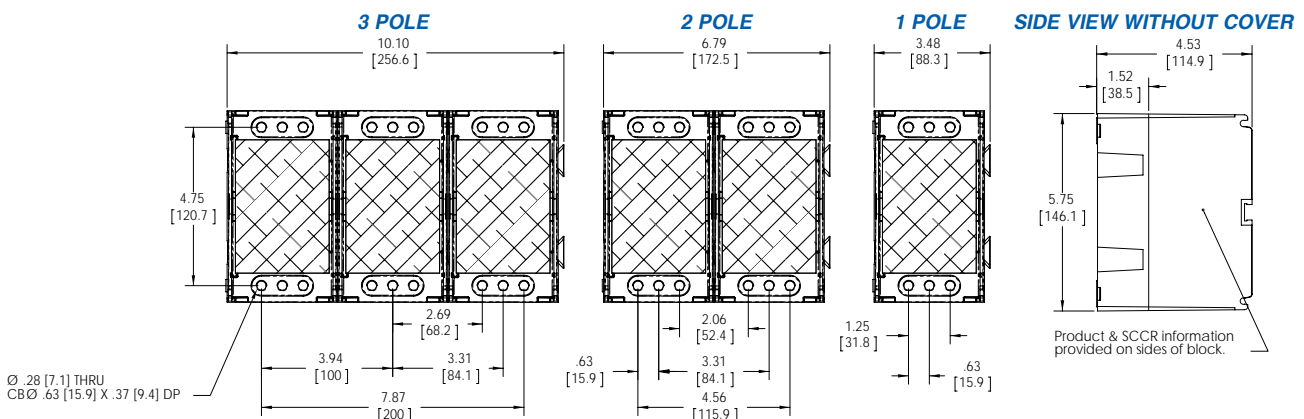


Shown: 1351708 (UL Listed) and 1353702 with accessory cover (UL Recognized)

To order blocks with cover installed, add "CH" to end of part number - if ordered with cover installed, blocks are UL Recognized

CATALOG #		Poles	Amps	LINE SIDE			LOAD SIDE			SCCR, RMS SYM Amps 600 Volt Max
UL Listed (Without Cover)	UL Recognized (With Cover)			Wire Range AWG/kcmil	Openings per Pole	Connector Config.	Wire Range AWG/kcmil	Openings per Pole	Connector Config.	
1351701	1351701CH	1	475	750 kcmil - 1/0 AWG	1		750 kcmil - 1/0 AWG	1		100,000
1352701	1352701CH	2								
1353701	1353701CH	3								
1351702	1351702CH	1	950	750 kcmil - 1/0 AWG	2		750 kcmil - 1/0 AWG	2		100,000
1352702	1352702CH	2								
1353702	1353702CH	3								
1351703	1351703CH	1	950	750 kcmil - 1/0 AWG	2		250 kcmil - 1/0 AWG	6		100,000
1352703	1352703CH	2								
1353703	1353703CH	3								
1351704	1351704CH	1	950	750 kcmil - 1/0 AWG	2		2/0 - 14 AWG	10		100,000
1352704	1352704CH	2								
1353704	1353704CH	3								
1351705	1351705CH	1	950	750 kcmil - 1/0 AWG	2		2-14 AWG	12		100,000
1352705	1352705CH	2					250 kcmil - 6 AWG	3		
1353705	1353705CH	3								
1351706	1351706CH	1	950	750 kcmil - 1/0 AWG	2		2-14 AWG	4		100,000
1352706	1352706CH	2					250 kcmil - 6 AWG	5		
1353706	1353706CH	3								
1351707	1351707CH	1	950	750 kcmil - 1/0 AWG	2		2-14 AWG	12		100,000
1352707	1352707CH	2					3/0 - 6 AWG	4		
1353707	1353707CH	3								
1351708	1351708CH	1	950	750 kcmil - 1/0 AWG	2		3/0 - 6 AWG	8		100,000
1352708	1352708CH	2								
1353708	1353708CH	3								

UL Listed Power Distribution Blocks



For electronic drawings or 2D/3D CAD data, submit request at [www.marathonsp.com/drawings.html](http://www.marathonsp.com/drawings.html)

Datasheets available at [marathonsp.com](http://marathonsp.com)