

Single Row Terminal Blocks

Kulka® 2690 GP Series

300 Volts AC/DC (Class B)
150 Volts AC/DC (Class C)

Specifications:

- Base, Phenolic, 150°C (UL RTI)
- Screws, #6-32 Binder Head, Slotted or #8-32 Binder Head, Slotted, Brass
- Terminals, Plated Brass
- 7/16" Centers
- Wire Range #14-16 AWG - 20 Amps
- UL Recognized File No. XCFR2.E47811
- CSA Certified File No. LR19766
- CE
- RoHS Compliant



Top to bottom: 2695A GP 04, 2699A GP 04
(Mounting plates are shipped loose)

TERMINAL BLOCK SERIES

# of poles	2694 GP / 2694A GP 2695 GP / 2695A GP 2696 GP / 2696A GP		2697 GP / 2697A GP 2698 GP / 2698A GP 2699 GP / 2699A GP	
	Dimensions		Dimensions	
	A	B	A	B
1	1.41	0.88	0.53	--
2	1.84	1.31	0.97	0.44
3	2.28	1.75	1.41	0.88
4	2.72	2.19	1.84	1.31
5	3.16	2.63	2.28	1.75
6	3.59	3.06	2.72	2.19
7	4.03	3.50	3.16	2.63
8	4.47	3.94	3.59	3.06
9	4.91	4.38	4.03	3.50
10	5.34	4.81	4.47	3.94
11	5.78	5.25	4.91	4.38
12	6.22	5.69	5.34	4.81
13	6.66	6.13	5.78	5.25
14	7.09	6.56	6.22	5.69
15	7.53	7.00	6.66	6.13
16	7.97	7.44	7.09	6.56
17	8.41	7.88	7.53	7.00
18	8.84	8.31	7.97	7.44
19	9.28	8.75	8.41	7.88
20	9.72	9.19	8.84	8.31
21	10.16	9.63	9.28	8.75
22	10.59	10.06	9.72	9.19
23	11.03	10.50	10.16	9.63
24	-	-	10.59	10.06
25	-	-	11.03	10.50

mm = dim X 25.4

See page 103 for 2690 Series Terminal block dimensions.

Hardware Options:

(Hardware options may affect ratings - consult Customer Service)

CATALOG #	PRODUCT DESCRIPTION	PAGE REFERENCE
MSP		
KULKA		
KT28	Full Quick Connect (0° Flat)	See page 104
KT29	Full Quick Connect (45° Bend)	See page 104
KT30	Full Quick Connect (90° Bend)	See page 104
KT34	Half Quick Connect (0° Flat)	See page 104
KT35	Half Quick Connect (45° Bend)	See page 104
KT36	Half Quick Connect (90° Bend)	See page 104
KT46	Full Quick Connect (0° Flat)	See page 104
KT47	Full Quick Connect (45° Bend)	See page 104
KT48	Full Quick Connect (90° Bend)	See page 104
KT52	Half Quick Connect (0° Flat)	See page 104
KT53	Half Quick Connect (45° Bend)	See page 104
KT54	Half Quick Connect (90° Bend)	See page 104
3/4 ST	Half Solder	See page 106
Y	Lug Over the Side (.609)	See page 106
Z	Lug Over the Side (.344)	See page 106
J 601	Line to Line Jumper	See page 107
601 RJ(S)	Multiple Position Jumper	See page 107

Quick Connects (KT28-36): .020" x .187" - Quick Connects (KT46-54): .032" x .250"

See pages 104-115 for terminal block accessories

Single Row Terminal Blocks

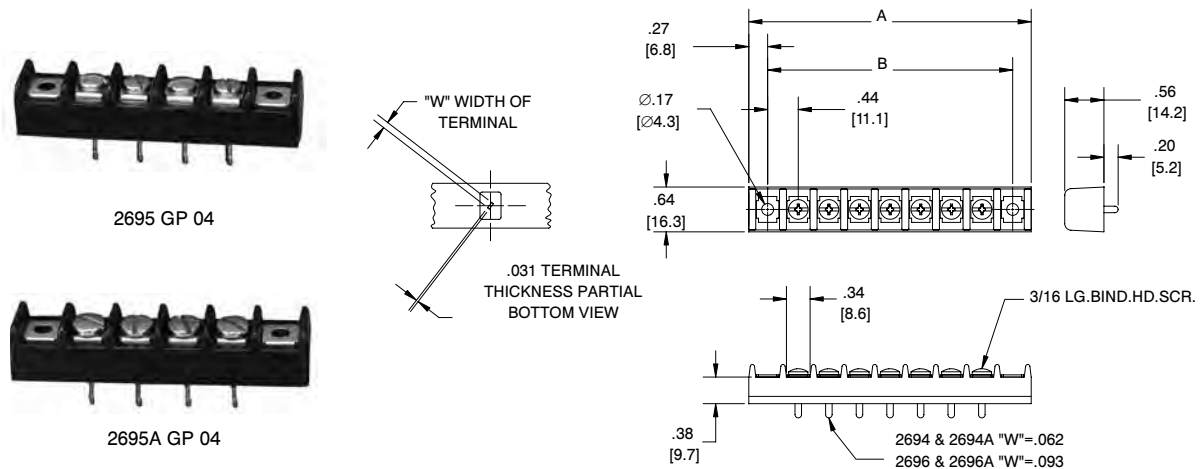
Kulka® 2690 GP Series (cont.)

TERMINAL BLOCK SERIES: 2694 GP / 2694A GP / 2695 GP 2695A GP / 2696 GP / 2696A GP

DEFINITION BARRIER ENDS:

2694 GP #6-32 Brass Screw, Printed Circuit Width = .062
2695 GP #6-32 Brass Screw, Solder Turret (not shown)
2696 GP #6-32 Brass Screw, Printed Circuit Width = .093

2694A GP #8-32 Brass Screw, Printed Circuit Width = .062
2695A GP #8-32 Brass Screw, Solder Turret (not shown)
2696A GP #8-32 Brass Screw, Printed Circuit Width = .093



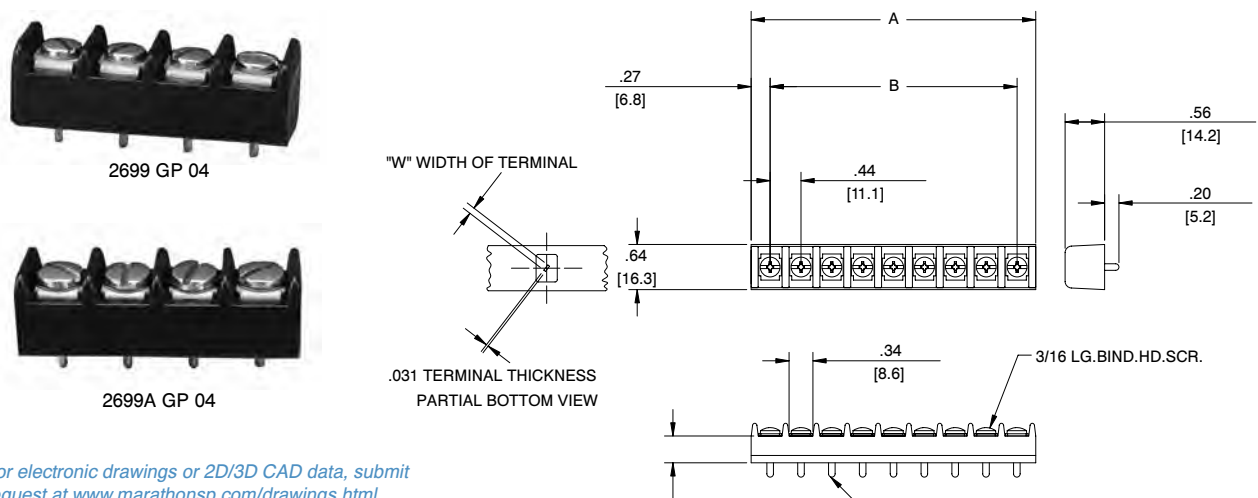
(Mounting plates are shipped loose)

TERMINAL BLOCK SERIES: 2697 GP / 2698 GP / 2699 GP 2697A GP / 2698A GP / 2699A GP

DEFINITION BARRIER ENDS:

2697 GP #6-32 Brass Screw, Printed Circuit Width = .062
2698 GP #6-32 Brass Screw, Solder Turret (not shown)
2699 GP #6-32 Brass Screw, Printed Circuit Width = .093

2697A GP #8-32 Brass Screw, Printed Circuit Width = .062
2698A GP #8-32 Brass Screw, Solder Turret (not shown)
2699A GP #8-32 Brass Screw, Printed Circuit Width = .093



For electronic drawings or 2D/3D CAD data, submit request at www.marathonsp.com/drawings.html

Datasheets available at marathonsp.com