

Molded Parts Specification Control Drawing

Part Number : 234A011 thru 071
Description : Boot, Rectangular
Subminiature, 90°
End Entry

NOTES

- All dimensions are in $\frac{\text{Inches}}{[\text{millimeters}]}$; $\frac{\text{lbs}}{[\text{gms}]}$
- Dimensions appearing in table are as follows:
a - As Supplied
b - After Unrestricted Recovery
- Coating is optional. As supplied dimensions appearing in table are for uncoated parts. When coating is added, entry diameters will be reduced by .06 max.
- Molding parts are optional. When -00 modification number is specified molding parts will be located as shown.
- Weight shown in table of dimensions is based on polyolefin part.
- .180 coating is only available on 234A011, 234A021 and 234A032. Contact factory for additional sizes.

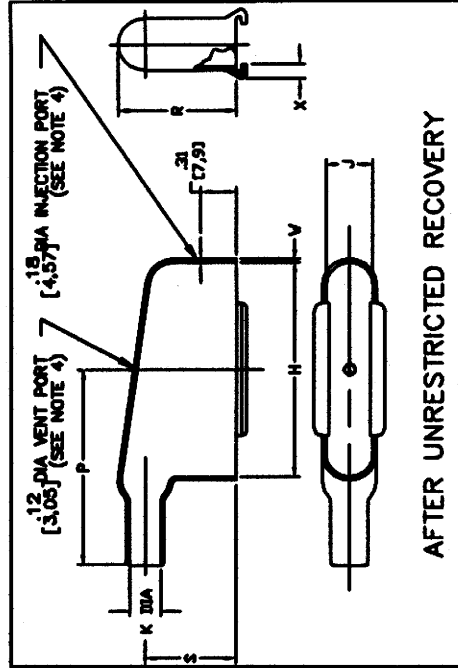
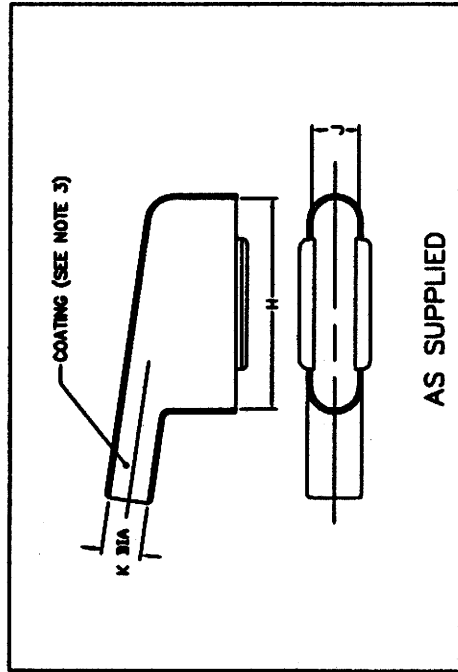


TABLE OF DIMENSIONS

PART NUMBER	H		J		K		P	R	S	W	X	Weight Norm	This Boot Fits Cannon-Chinch
	a	b	a	b	Min	Max							
234A011	.80 [20.3]	.80 [20.3]	.42 [10.7]	.42 [10.7]	.31 [7.9]	.16 [4.1]	1.02 [25.9]	.85 [21.6]	.60 [15.2]	.04 [1.02]	.12 [3.05]	.0048 [.12]	DE-9
234A021	1.11 [28.2]	1.11 [28.2]	.42 [10.7]	.42 [10.7]	.40 [10.2]	.21 [5.3]	1.21 [30.7]	.97 [24.6]	.73 [18.5]	.04 [1.02]	.12 [3.05]	.0059 [.15]	DA-15
234A032	1.66 [42.2]	1.66 [42.2]	.42 [10.7]	.42 [10.7]	.55 [14.0]	.29 [7.4]	1.89 [47.9]	1.10 [27.9]	.87 [22.1]	.04 [1.02]	.12 [3.05]	.0102 [.26]	DB-25
234A042	2.31 [58.7]	2.31 [58.7]	.42 [10.7]	.42 [10.7]	.68 [17.3]	.34 [8.6]	2.10 [53.3]	1.20 [30.5]	1.00 [25.4]	.04 [1.02]	.12 [3.05]	.0132 [.34]	DC-37
234A052	2.28 [57.9]	2.28 [57.9]	.54 [13.7]	.54 [13.7]	.75 [19.1]	.42 [10.7]	2.20 [55.9]	1.27 [32.3]	1.00 [25.4]	.04 [1.02]	.12 [3.05]	.0152 [.39]	DD-50
234A061	.80 [20.3]	.80 [20.3]	.42 [10.7]	.42 [10.7]	.31 [7.9]	.15 [3.8]	1.02 [25.9]	.73 [18.5]	.48 [12.2]	.04 [1.02]	.12 [3.05]	.0049 [.12]	DE-9
234A071	1.11 [28.2]	1.11 [28.2]	.42 [10.7]	.42 [10.7]	.40 [10.2]	.20 [5.1]	1.21 [30.7]	.78 [19.8]	.53 [13.5]	.04 [1.02]	.12 [3.05]	.0056 [.14]	DA-15

Revision : N
Date : 1/29/02
Part Number : 234A011 thru 071
Description : Boot, Rectangular
Subminiature, 90°
End Entry

tyco Electronics/Aviation

TYCO ELECTRONICS
367 CONSTITUTION DRIVE
MENLO PARK, CALIFORNIA 94025

Molded Parts Specification Control Drawing

Part Number : 234A011 thru 071
 Description : Boot, Rectangular
 Subminiature, 90°
 End Entry

COMPATABILITY CHART					
MATERIAL DASH NO.	MATERIAL DESCRIPTION	RT SPEC	COATING SLASH NO.	COATING S NO.	COATING DESCRIPTION
-3	Polyolefin, Semi-rigid	RT-301	/42;/86,**/180;/184	S-1017;S-1048	Adhesive
-4	Polyolefin, Flexible	RT-1304	/42;/86,**/180;/184	S-1017;S-1048	Adhesive
-8	Polyolefin, Space	RT-1308	N/A		
-12	*VITON, Flexible	RT-1312	N/A		
-25	Elastomer, Fluid Resistant	RT-1325	/86	S-1048	Adhesive
-100	Polyolefin, Semi-flexible ZEROFAL	RT-1323	/86 : ** /180;/184	S-1048;S-1030	Adhesive

*VITON is a Registered Trademark of Dupont

ORDERING INFORMATION

234A0XX -X -XX /XXX

Base part number _____

Material dash number _____
 (See Compatibility Chart)

Modification number _____
 (if necessary, see front of scd binder
 for a complete list)

Adhesive slash number _____
 (if necessary, see Compatibility Chart)

THIS DRAWING IS SUBJECT TO CHANGE WITHOUT NOTICE; CONSULT YOUR
 NEAREST FIELD REPRESENTATIVE FOR CURRENT REVISION

tyco / *Electronics/Amphenol*

TYCO ELECTRONICS
 307 CONSTITUTION DRIVE
 MENLO PARK, CALIFORNIA 94025

Revision : N
 Date : 1/29/02
 Part Number : 234A011 thru 071
 Description : Boot, Rectangular
 Subminiature, 90°
 End Entry